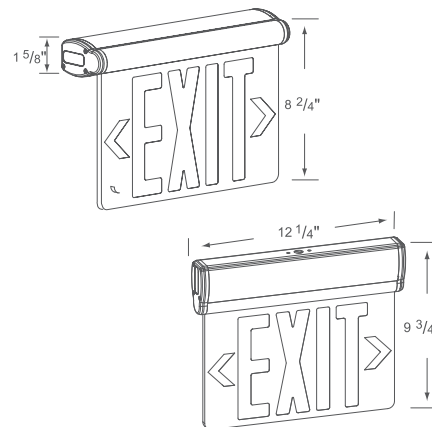


RXL17 Series

120V/277V

Catalog #:		Type
Project:		Date
Prepared by:		

Wall or Ceiling Mount Edge-lit Exit Sign - Single Face



LED Emergency Exit

DESCRIPTION

When normal utility power fails, the internal solid-state transfer switch automatically connects the internal battery to the LED lamps, lighting a path of egress for no less than 90 minutes. When utility power is restored the battery is recharged by the on-board solid-state recharger. Full recharge is accomplished within 24 hours.

DESIGN FEATURES

Construction

- High impact clear acrylic thermoplastic faceplate
- Die cast aluminum housing
- Compact, low profile edge-lit design
- Completely Self-contained

Electrical

- 120/277V
- Operating temperature: 0°C (32°F) to 50°C (122°F)
- Contains 4.8V Ni-cd rechargeable battery
- Automatic, low voltage disconnect protects battery from deep discharge
- Energy consumption of less than 5 watts
- Estimated 25 year LED lamp life

Installation

- Wall or ceiling mountable
- Includes universal mounting canopy that pivots for slope ceiling use
- Removable directional indicators included
- Easy, one-person installation

Self-Diagnostic Features

- Monitors battery disconnection, charger failure, lamp failure and transformer fault every 5 seconds without discharging battery or illuminating lamps
- One minute self-test monthly, 30 minute self-test semi-annually, 90 minute self-test annually
- Uses dual color LED lamp to indicate lamp, battery and charger status
- Pretested by factory - field adjustment unnecessary

Certifications

- UL listed for damp location
- 5 year limited warranty

ORDERING

Example: RXL17RW-SD

Model #	Finish	Lens
RXL17		
RXL17	RW : Red with white housing, white end caps RBA : Red with brushed aluminum housing, black end caps GW : Green with white housing, white end caps GBA : Green with brushed aluminum housing, black end caps	-SD : Self Diagnostics

TEL: 800.937.6925 | Fax: 800.207.9509 | www.rplighting.com

Specifications and dimensions subject to change without notice.

7/30/2020 R1

