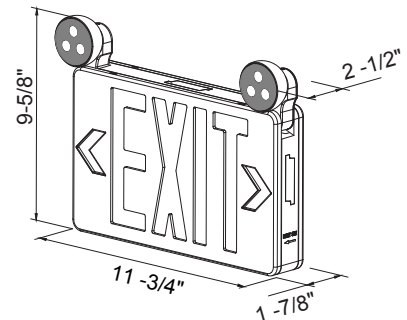


# RXEL37-1 Series

120-277V AC

Catalog #:		Type
Project:		Date
Prepared by:		

## Standard Exit/Emergency Combo



### DESCRIPTION

Simple and low profile, this combination exit and emergency unit allows for use in a number of different applications requiring both in a single area. For use over doorways and other areas requiring a low profile unit. This versatile product is available in a single or double face configuration, in red or green lettering, and with two adjustable heads.

### DESIGN FEATURES

#### Construction

- Injection molded thermoplastic ABS housing with 5VA flame retardant
- Single or double face plate configuration
- Replaceable directional chevrons included
- Two fully adjustable round light heads
- Red or green lettering meets all NFPA code requirements

#### Electrical

- 120-277V AC Universal | 50/60 Hz
- 3.6V, 800 mAh, rechargeable Ni-Cad battery
- 2 Adjustable 0.8W LED heads | 200 lms total | 5500K CCT
- 24 hour recharge after 90 minute discharge
- Manual test switch and LED indicator included on side of unit

#### Installation

- Suitable for wall, ceiling, or side mounting
- Housing snaps to canopy with simple and secure twist and lock

#### Dimensions

- 11-13/16" W x 1-13/16" D x 9-9/16" H

#### Certifications

- UL Listed for damp location to UL924 standards
- Meets and exceeds all appropriate NFPA life safety codes
- CEC Title 20 Compliant
- LED Light Source: 5 Year Limited Warranty
- Other Components: 1 Year Limited Warranty

### ORDERING GUIDE

Example: RXEL37-1RW

Model #	Finish
RXEL37-1	
RXEL37-1	<b>RW</b> : Red with white housing <b>GW</b> : Green with white housing

TEL: 800.937.6925 | Fax: 800.207.9509 | [www.rplighting.com](http://www.rplighting.com)

Specifications and dimensions subject to change without notice.



LED Light Source

Other Components

7/5/22



RP LIGHTING · FANS

# RXEL37-1

120/277V

## Spacing Information

