

# Ceiling Fan

## Installation Guide

Read and Save These Instructions

---

For Models: 1070W,1080W



Net Weight Of 1070WFan: 30.5lbs (13.85kgs)

Net Weight Of 1080WFan: 35.3lbs (16.05kgs)



RP | LIGHTING · FANS



# Table of Contents

	Pages
SAFETY RULES .....	1
TOOLS AND MATERIALS REQUIRED .....	2
PACKAGE CONTENTS .....	2.3
MOUNTING OPTIONS .....	4
HANGER BRACKET INSTALLATION .....	5
FAN ASSEMBLY .....	5.6
HANGING THE FAN MOTOR ASSEMBLY .....	6
MAKING ELECTRICAL CONNECTIONS .....	7
CANOPY ASSEMBLY .....	8
ATTACHING THE FAN BLADES .....	9
INSTALLING THE BOTTOM CAP .....	9
INSTALLING THE LIGHT KIT (optional) .....	10
INSTALLING WALL CONTROL & OPERATION .....	11.12
TROUBLESHOOTING .....	13
CARE OF YOUR FAN .....	13

# Safety Rules

1. To reduce the risk of electric shock, ensure electricity has been turned off at the circuit breaker or fuse box before beginning.
2. All wiring must be in accordance with the National Electrical Code and local electrical codes. Electrical installation should be performed by a qualified licensed electrician.
3. **WARNING:** To reduce the risk of electrical shock and fire, **do not use this fan with any solid-state fan speed control device.**
4. **WARNING:** To reduce the risk of personal injury, use only the two steel screws (and lock washers) provided with the outlet box for mounting to the outlet box. Most outlet boxes commonly used for the support of lighting fixtures are not acceptable for fan support and may need to be replaced, consult a qualified electrician if in doubt.
5. The outlet box and support structure must be securely mounted and capable of reliably supporting a minimum of 70 lbs(32kgs) . Use only UL Listed outlet boxes marked "**FOR FAN SUPPORT**".
6. The fan must be mounted with a minimum of 10 ft.(3M) clearance from the trailing edge of the blades to the floor.
7. Avoid placing objects in the path of the blades.
8. To avoid personal injury or damage to the fan and other items, be cautious when working around or cleaning the fan.
9. Do not use water or detergents when cleaning the fan or fan blades. A dry soft cloth or lightly dampened cloth will be suitable for most cleaning.
10. After marking electrical connections, spliced conductors should be turned upward and pushed carefully up into outlet box. The wires should be spread apart with the grounded conductor and the equipment-grounding conductor on one side of the outlet box.
11. Electrical diagrams are reference only. Light kit that are not packed with the fan must be UL Listed and marked suitable for use with the model fan you are installing. Switches must be UL General Use Switches. Refer to the Instructions packaged with the light kits and switches for proper assembly.
12. **OUTDOOR USE-** Suitable for use in wet locations when installed in a GFCI protected branch circuit.

## WARNING

TO REDUCE THE RISK OF FIRE, ELECTRIC SHOCK OR PERSONAL INJURY, MOUNT FAN TO OUTLET BOX MARKED "ACCEPTABLE FOR FAN SUPPORT".

## WARNING

TO REDUCE THE RISK OF PERSONAL INJURY, DO NOT BEND THE BLADE BRACKETS (ALSO REFERRED TO AS FLANGES) DURING ASSEMBLY OR AFTER INSTALLATION. DO NOT INSERT OBJECTS IN THE PATH OF THE BLADES.

# Tools & Materials Required

- Ladder
- Phillips Screwdriver
- Pliers
- Adjustable wrench
- Wire Strippers





## Package Contents

Parts	Qty
a. Blade	x7 pieces
b. Blade Holder	x7
c. Hanger Bracket	x1
d. Waterproof Cover	x1
e. Canopy	x1
f. 8" Downrod with Ball	x1
g. 24" Downrod	x1
h. Motor Coupling Cover	x1
i. Fan Motor Assembly	x1
j. Bottom Cap	x1
k. DC ceiling fan wall control(wall controller & driver)	


### I. Hardware packs included




#### For Mounting Hanger bracket:

	Qty
 Wood Screws & Washers	x5
 Hanger Bracket Screws, Spring Washers, Flat Washers	x2 each

These mounting screws are intended for use solely in wooden structure ceilings. For concrete ceilings and suspended ceilings, appropriate screws are required (not included).

#### For Blade Installation:

 Blade Screws & Fiber Washers	x22
(one spare screw, fiber washer included)	

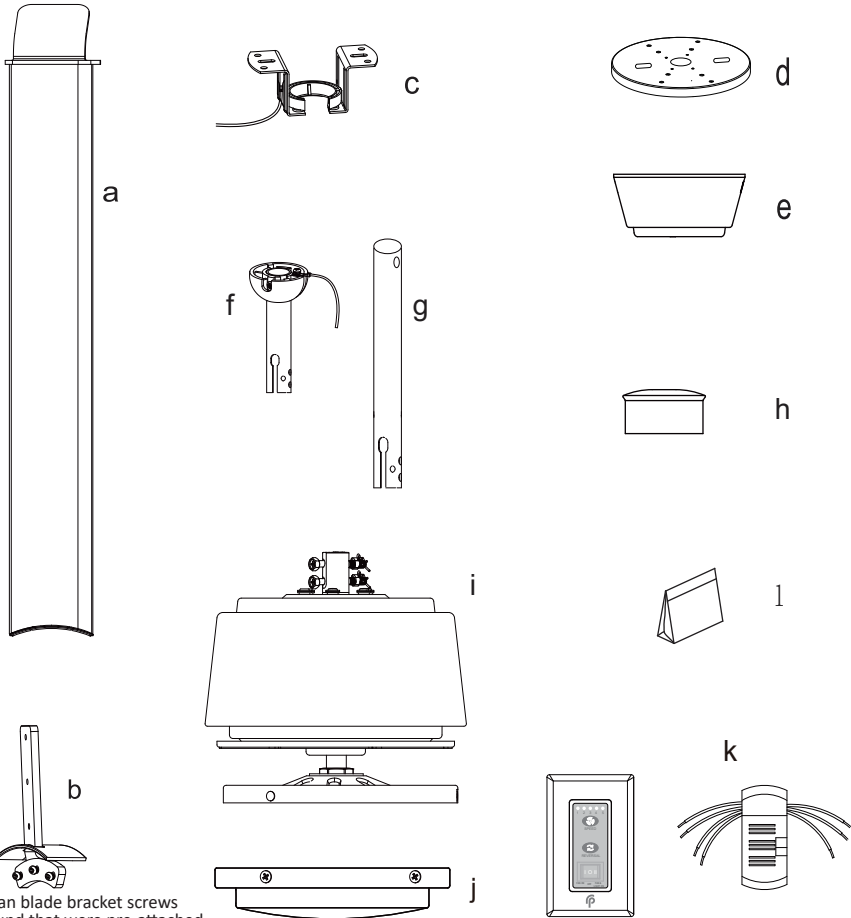
 Spare motor screw & Washer	x1
 Wire Nuts	x8
 Balance Kit	x1 set

# Unpacking Fan

Carefully open the packaging. Remove items from Styrofoam inserts. Remove motor housing and place on clean floor or Styrofoam to avoid damage to finish.

Do not discard fan carton or Styrofoam inserts should this fan will need to be returned for repairs. Check against parts list that all parts have been included.

## Parts Guide- Model Number 1070W, 1080W



\*Fan blade bracket screws found that were pre-attached to the fan blade bracket.

# Mounting Options

If there isn't an existing UL listed mounting box, then read the following instructions. Disconnect the power by removing fuses or turning off circuit breakers.

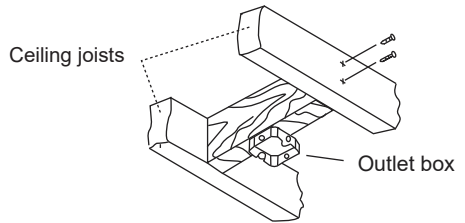
Secure the outlet box directly to the building structure. Use appropriate fasteners and building materials. To reduce the risk of fire, electric shock, or personal injury, mount to outlet box marked "acceptable for fan support of 70 lbs (32 kgs) " and use mounting screws provided with the outlet box.

Most outlet boxes commonly used for the support of luminaries are not acceptable for fan support and may need to be replaced.

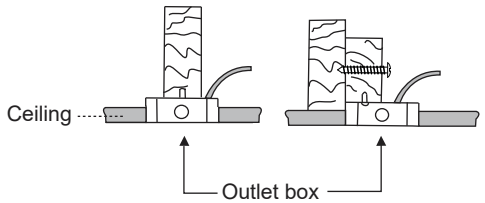
Figures 1 and 2 are examples of different ways to mount the outlet box.

To hang your fan where there is an existing fixture but no ceiling joist, you may need an installation hanger bar as shown in Figure 3.

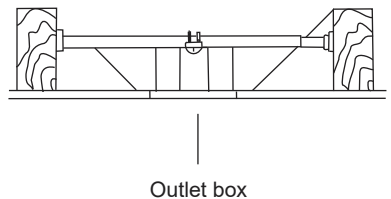
**Fig.1**



**Fig.2**



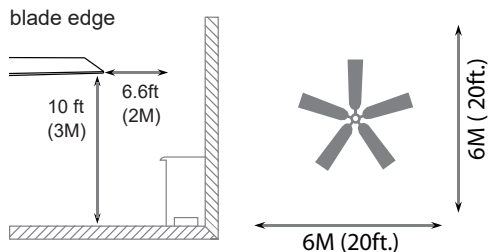
**Fig.3**



**WARNING**

The fan can weigh up to 35 lbs (15.9kgs). The fan should not be installed unless the structure on which the fan is to be mounted is of sound construction, undamaged, and capable of supporting the loads of the fan and its method of attachment. A structural engineer should verify that the structure is adequate prior to fan installation. Verifying the stability of the mounting structure is the sole responsibility of the customer and/or end user, and we hereby expressly disclaims any liability arising therefrom.

**Fig.4**



**WARNING**

At the end of the blade must be a minimum of 2 meters away from the wall. There must be a distance of 3 meters between two ceiling fans.

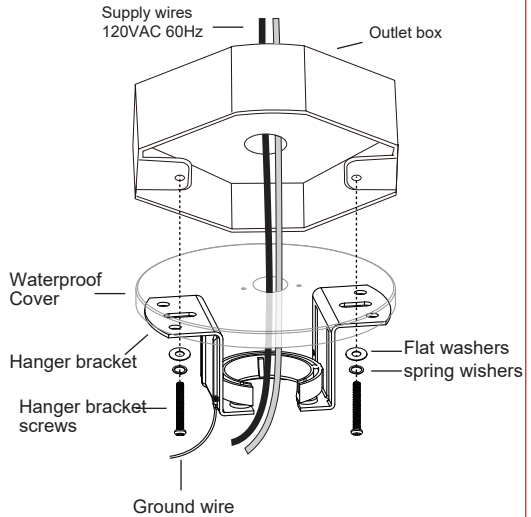
# Hanger Bracket Installation

**Remember to turn off the power.** Follow the steps below to hang your fan properly. **NOTE:** This ceiling fan is supplied with the hanging assemblies; the standard ceiling installation using the downrod with ball and hanger bracket mounting installation.

Your ceiling fan will require a grounded electrical supply line of 120VAC 60HZ, 15Amp Circuit.

**Step 1.** Pass the 120V supply wires through the waterproof cover and hanger bracket. (Fig.5)

**Step 2.** Secure the waterproof cover and hanger bracket to the ceiling outlet box with screws and washers included with mounting hardware.



**Fig.5**

# Fan Assembly

Loosen setscrew on hanging ball to free the lock pin, remove the ground screw and ground wire, and save all parts.

Feed fan wires & safety cable up through the downrod.

**NOTE:** Make sure the wires are on one side and the safety cable on the other side. (Fig. 6b)

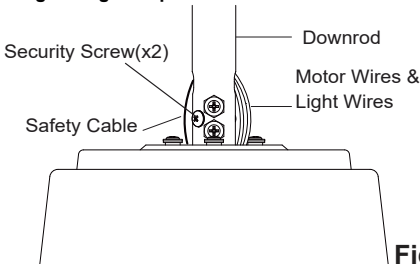
Be careful that wires are pulled through, make sure the wires do not get twisted.

Insert the downrod into the coupler, and align holes with holes in the coupler on the top of the motor housing.

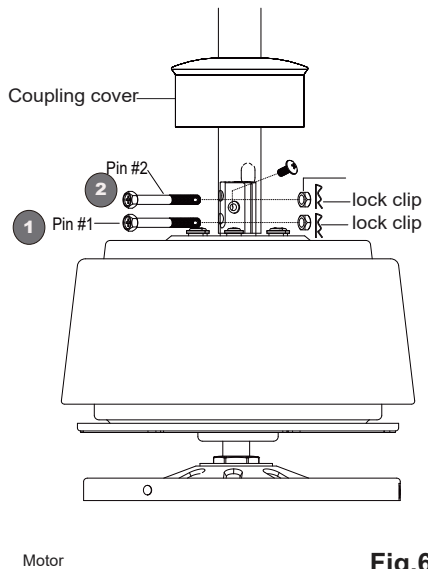
Insert the hitch pin through the coupler and downrod, secure with nut and lock pin.

**NOTE:** Proceed with this step in order 1 → 2

**IMPORTANT:** Securely fasten the downrod using two security screws onto the coupler to prevent shaking during fan operation.



**Fig.6b**



**Fig.6a**

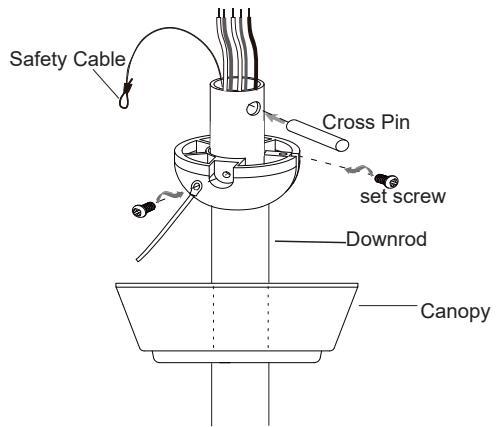
\*\*Fan Assembly continued on next page.\*\*

Place the coupling cover over the downrod assembly.

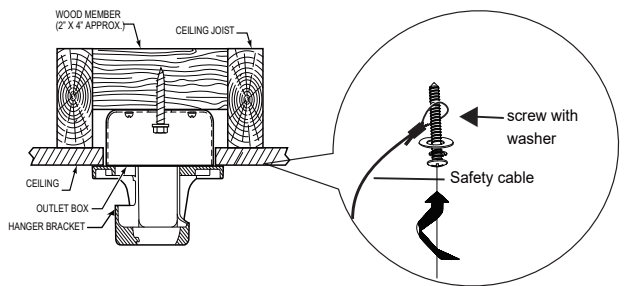
Place canopy over downrod.

Replace the hanging ball on downrod, insert the lock pin through downrod, and tighten the set screw in the hanging ball against downrod.

**WARNING:** Failure to tighten set screw on the hanging ball completely could result in the fan possibly falling.



Install the safety cable to ceiling using the screw (ST5x38mm) & washers.



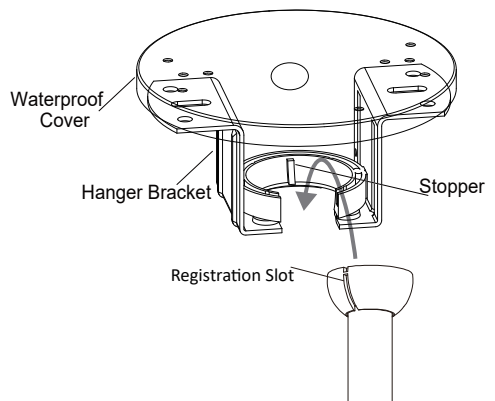
## Hanging the Fan Motor Assembly

With the hanger bracket secured to the outlet box and able to support the fan, you are ready to hang the fan. Hold the fan firmly with two hands. Lift the fan assembly onto the hanger bracket.

Ensure the registration slot of the ball joint is positioned on the stopper of the hanger bracket to prevent the fan from rotating when in operation.

**WARNING:** Failure to align slot in hanging ball with stopper(tab) in hanger bracket may result in serious injury or death.

**Tip:** Seek the help of another person to hold the stepladder in place and help lift the fan up to you once you are set on the ladder.





## Making Electrical Connections

**WARNING:** Turn off circuit breakers to the current fixture from breaker panel and be sure the switch is turned off.

If you are unfamiliar with electrical wiring or if the house wires are different colors than those referred to below, please contact a qualified electrician and obtain service.

**NOTE:** Excess lead wire length from the fan can be cut to the desired length and stripped.

When fan is secured in place on the hanger bracket, electrical wiring can be made.

Connect the yellow / green ground wires installed on downrod, hanger bracket and driver/receiver to household supplied ground wire with wire connector.

Refer to wiring diagram making correct wire connections.

**NOTE:** This fan must be installed by a licensed electrician.

After wire connections have been made, turn leads upward and carefully push the white wire and black wire connections into the outlet box. The other connections should be spread apart neatly and place on both side of the hanger bracket.

**WARNING:** Check to see that all connections are tight, including ground connection. **DO NOT** operate fan until the blades are secured in place.

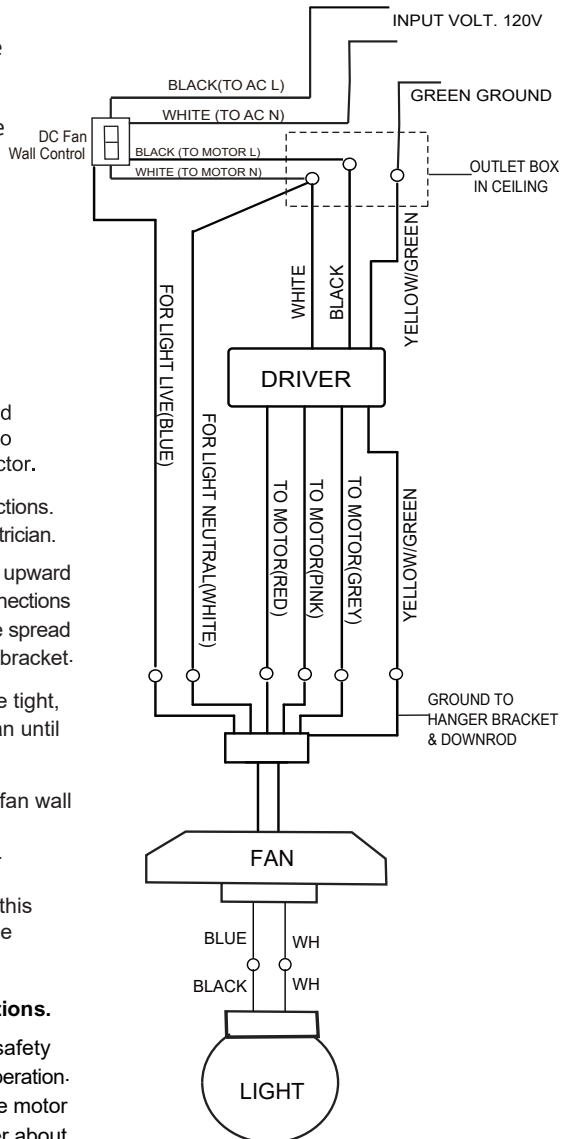
**WARNING:** This fan must use the matching DC fan wall control designed for use on this fan. Can NOT indicate other speed control or the like.

**WARNING:** To reduce the risk of electric shock, this fan must be installed with an isolating general-use wall control / switch.

**The DC fan receiver provides protective functions.**

**Lock protection** - The DC motor has a build-in safety feature against blade or motor obstruction during operation. If something obstructs the fan blades or motor, the motor will keep trying to run and then stop operation after about 20-30 seconds of interruption. Remove obstacles and use wall control included with this fan.

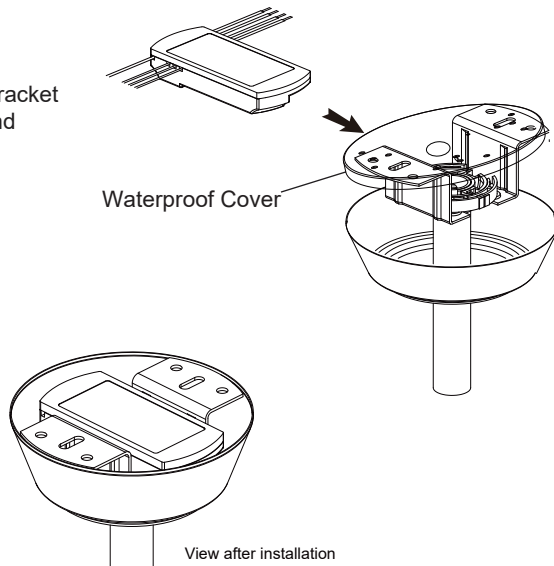
**Over load protection (current limit)** - The device limit the maximum current output from the receiver/drive when the fan load was increased abnormally.



**⚠ WARNING**  
 DONOT USE THIS DC MOTOR FAN IN CONJUNCTION WITH ANY VARIABLE (RHEOSTAT) WALL CONTROL OR REMOTE CONTROL.

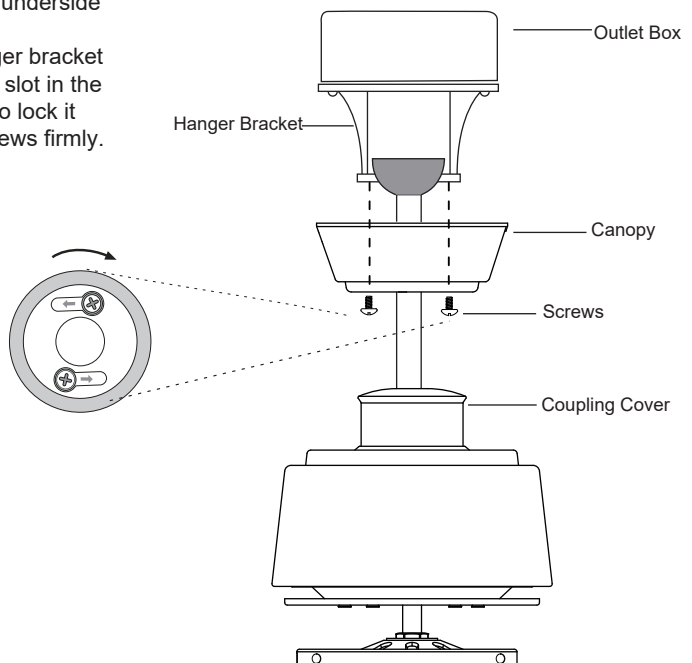
## Canopy Assembly

After connecting the wires, place the DC fan driver in hanger bracket as shown, turn the leads upward and separate wire connections and put neatly inside of the outlet box.



Locate the two screws on the underside of the hanger bracket.

Attach the canopy to the hanger bracket by placing the screws into the slot in the canopy, then twist clockwise to lock it into place, and tighten the screws firmly.



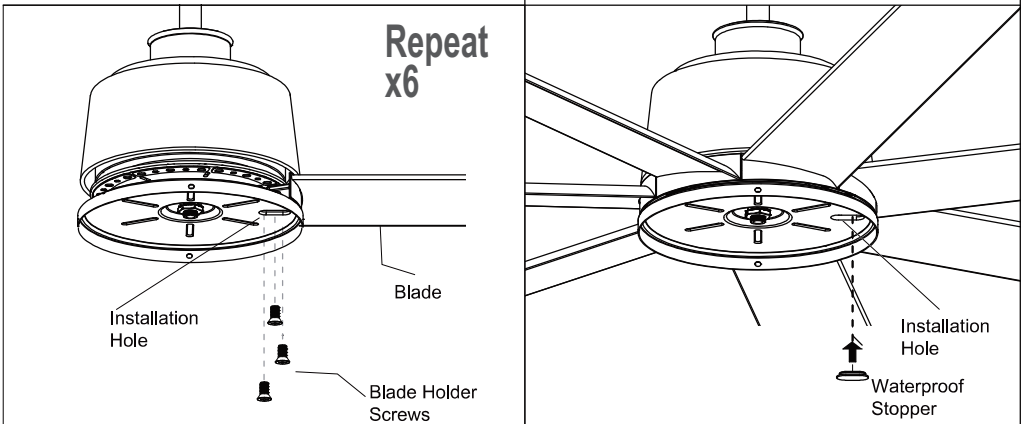
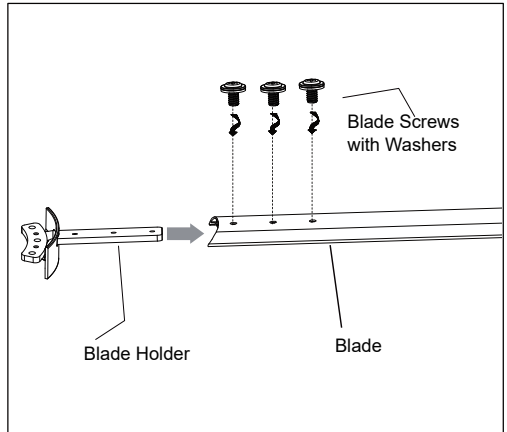
## Attaching the Fan Blades

Remove rubber motor stoppers from motor and waterproof stopper from the fitter plate before attaching the fan blade assembly.

Insert the fan blade into blade holder and secure it with 3 blade screws and washers. Repeat this process for the remaining blades.

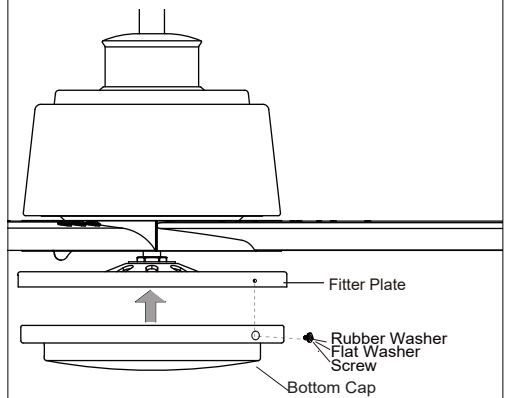
Fasten each fan blade assembly to the motor using three(3) blade holder screws.

**NOTE:** After completing each fan blade installation, re-plug the waterproof stopper back in the installation hole on the fitter plate.



## Installing the Bottom Cap

Remove four(4) screws(rubber washer+ flat washer + screw) on the fitter plate and secure the bottom cap using these screws and washers.



## Installing the Light Kit (optional)

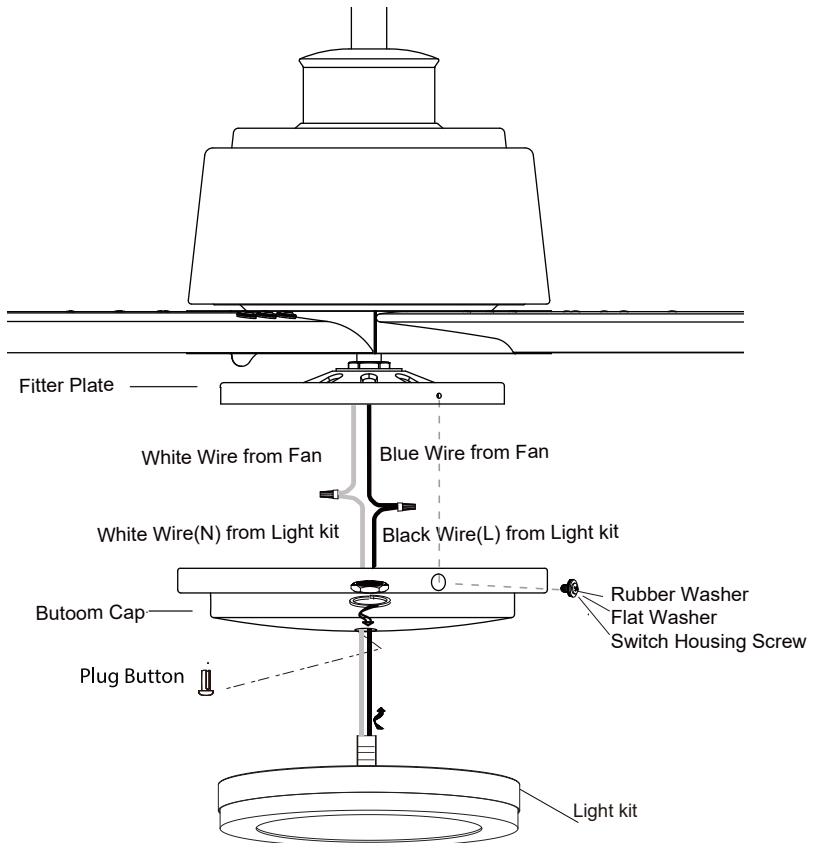
NOTE: Make sure power is off at the electrical panel box before attempting installation of the light kit. Remove the fan bottom cap by unscrewing 3 attachment screws (rubber washer + flat washer + screw) then remove a small plug from the center hole of the cap.

Attach the light kit to the bottom cap with a hex nut and spring washer provided with the light kit. Be sure it is tight enough to prevent the light kit from vibrating loose.

Connecting the wires.

Connect the **BLACK** wire from the light kit to the **BLUE** wire from the fan using the wire nut provided. Connect the **WHITE** wire from the light kit to the **WHITE** wire from the fan using the wire nut provided. Attach the cap with the light kit assembly to the fitter plate with previously removed 3 screws (rubber washer + flat washer + screw).

**CAUTION: Only use with a light kit marked "Suitable for Use in Wet Locations."**

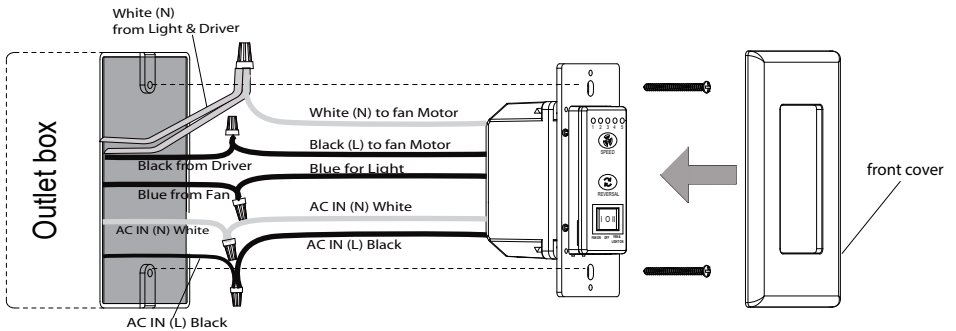


# Installing Wall Control

**NOTE:** Make sure power is off at the electrical panel box and be sure the switch is turned OFF position before attempting installation of wall control.

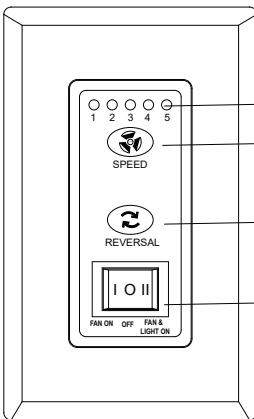
Remove the existing wall switch, making wires connection with provided wire nuts as shown in the diagram.

Wrap each wire connector separately with electrical tape as an extra safety measure. Carefully push wires into the outlet box.



## Wall Control Operation

The buttons on the wall controller control the fan speed and light as follows.



### Fan Speed Indicator Light

1 ~ 5 = Fan speed from Highest to Lowest

### Fan Speed Switch

### Reversal Switch (Forward/ Reverse)

Press this button to get desired airflow direction of fan. It will take a few seconds for fan to slow down and change rotation direction.

### Power Switch

FAN ON = trun the fan power on

OFF = turn the fan and light power off

FAN & LIGHT ON = turn the fan & light power on

### Reverse Switch (Forward / Reverse)

This button controls fan forward or reverse direction.

**NOTE:** To operate the reverse function on this fan, press the “Reversal” button while the fan is running.

### Warm Weather (Forward) -

A downward airflow creates a cooling effect, as shown in Fig. A.

This allows you to set your air conditioner at a higher temperature without compromising your comfort.

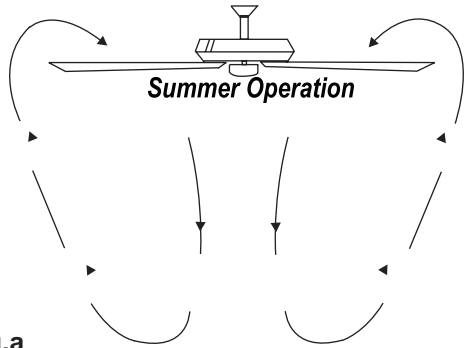


Fig.a

### Cool Weather (Reverse) -

An upward airflow in Fig. b moves warm air away from the ceiling area, as shown. This allows you to set your heating unit at a lower temperature without compromising your comfort.

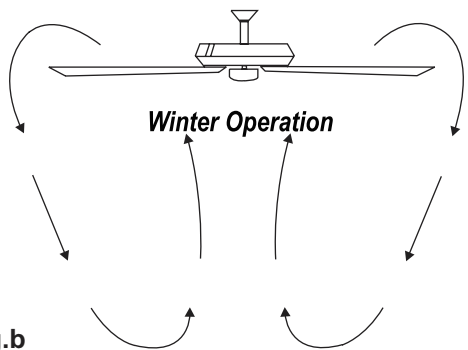


Fig.b

## Troubleshooting

**WARNING:** Failure to disconnect power supply prior to troubleshooting any wiring issues may result in serious injury.

Problem	Solutions
Fan will not start.	<ul style="list-style-type: none"><li>- Check circuit fuses or breakers.</li><li>- Check line wire connections to the fan and switch wire connections in the switch housing.</li></ul>
Fan sounds noisy.	<ul style="list-style-type: none"><li>- Make sure all motor housing screws are snug.</li><li>- Make sure the screws that attach the fan blade bracket to the motor hub is tight.</li><li>- Make sure wire nut connections are not rubbing against each other or the interior wall of the switch housing.</li><li>- Allow a 24-hour "breaking-in" period. Most noise associated with a new fan disappear during this time.</li><li>- If using an optional light kit, make sure the screws securing the glassware are tight. Check that light bulb is also secure.</li><li>- Some fan motors are sensitive to signals from solid-state variable speed controls. If you have installed this type of control, choose and install another type of control.</li><li>- Make sure the upper canopy is a short distance from the ceiling. It should not touch the ceiling.</li></ul>
Fan wobbles	<ul style="list-style-type: none"><li>- Check that all blade and blade arm screws are secure.</li><li>- Most fan wobbling problems are caused when blade levels are unequal. Check this level by selecting a point on the ceiling above the tip of one of the blades. Measure this distance. Rotate the fan until the next blade is positioned for measurement. Repeat for each blade. The distance deviation should be equal within 1/8".</li><li>- Use the enclosed Blade Balancing Kit if the blade wobble is still noticeable.</li><li>- If the blade wobble is still noticeable, interchanging two adjacent (side by side) blades can redistribute the weight and possibly result in smoother operation.</li></ul>

## Care of Your Fan

Here are some suggestions to help you maintain your fan.

1. Because of the fan's natural movement, some connections may become loose. Check the support connections, brackets, and blade attachments twice a year. Make sure they are secure. (It is not necessary to remove fan from ceiling.)
2. Clean your fan periodically to help maintain its new appearance over the years. Use only a soft brush or lint-free cloth to avoid scratching the finish. The plating is sealed with a lacquer to minimize discoloration or tarnishing. Do not use water when cleaning. This could damage the motor, or the wood, or possibly cause an electrical shock.
3. You can apply a light coat of furniture polish to the wood blades for additional protection and enhanced beauty. Cover small scratches with a light application of shoe polish.
4. There is no need to oil your fan. The motor has permanently lubricated bearings.



RP | LIGHTING · FANS

[www.rplighting.com](http://www.rplighting.com)  
4931 Paseo Del Norte NE  
Albuquerque, NM 87113  
1-800.937.6925