

Polystyrene Side Table

ASSEMBLY INSTRUCTIONS

Before You Begin:

Please identify all component parts and hardware pieces required before you begin. Carefully remove all of the components from the packaging and set aside for assembly. Assemble on a soft surface to prevent scratching during assembly.

Caution:

Tighten all components securely before use. Failure to do so may result in personal injury. DO NOT use any sharp objects to open plastic wrapped components as damage to product or components may result.

Warning:


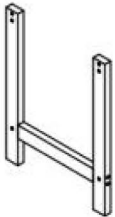
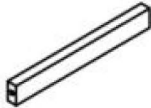
CHOKING HAZARD - Small Parts. Adult Assembly Required.

DO NOT ALLOW CHILDREN TO CLIMB ON FURNITURE


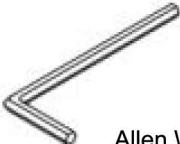
Serious or fatal injuries can occur from furniture tipping over. You must install Tipping Restraint Hardware (where included) to help prevent the unit from tipping and causing accidental injury, instability, death or damage. The tipping restraint is intended only as a safety measure, it is not a substitute for proper adult supervision.

To help prevent furniture from tipping over it must be permanently attached to the wall. Anti-Tip Safety Wall Straps suitable for the unit weight and wall materials (if not included) should be purchased and installed.

PARTS

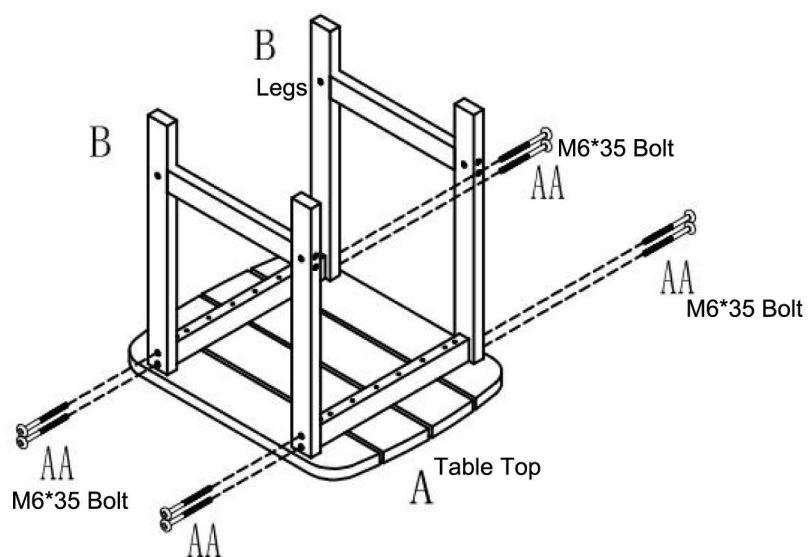
A	 <p>Table Top</p>	1PC	B	 <p>Leg</p>	2PCS	C	 <p>Leg Supports</p>	2PCS
---	--	-----	---	---	------	---	---	------

Hardware Included

AA	 <p>6*35MM</p>	12PCS		 <p>Allen Wrench</p>	1PC
----	---	-------	--	--	-----

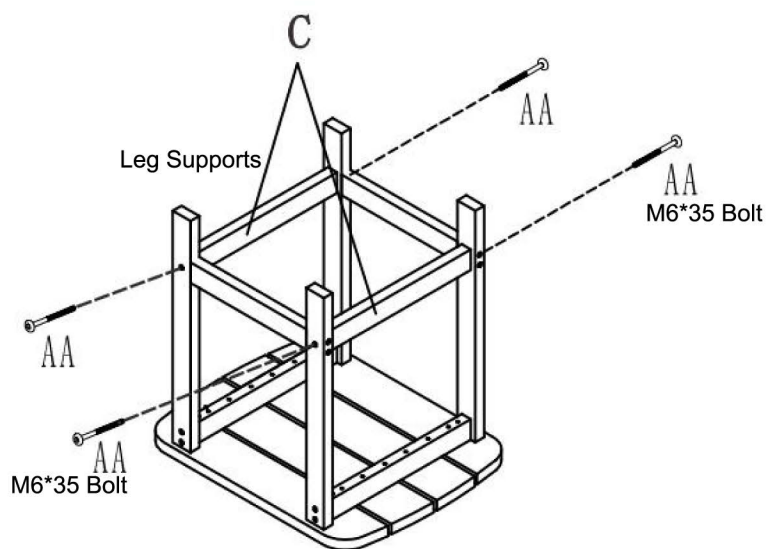
STEP 1

Attach the Legs (Part B) to the Table Top (Part A) using (8) M6*35 Bolts (Part AA).



STEP 2

Attaching the Leg Supports (Part C) to the Legs (Part B) using (2) M6*35 Bolts (Part AA).



Quality and Safety Guidelines:

- Please follow the static and dynamic weight capacity limits provided on this item.
- Please use this item on a stable, level surface only. All table legs should contact the flooring surface when in use. Do not use this item if any instability is detected.
- This item is intended as a table only, do not climb, stand or sit on this item.
- For product longevity, product safety and product integrity, protect from extended periods of wet weather and store indoors in a dry location.