

Commercial Grade 24" Round Table with Faux Teak Poly Resin Slats and Steel Frame

ASSEMBLY INSTRUCTIONS

Before You Begin:

Please identify all component parts and hardware pieces required before you begin. Carefully remove all of the components from the packaging and set aside for assembly. Assemble on a soft surface to prevent scratching during assembly.

Caution:

Tighten all components securely before use. Failure to do so may result in personal injury. DO NOT use any sharp objects to open plastic wrapped components as damage to product or components may result.

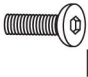





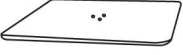
Warning:

CHOKING HAZARD – Small Parts. Adult Assembly Required.

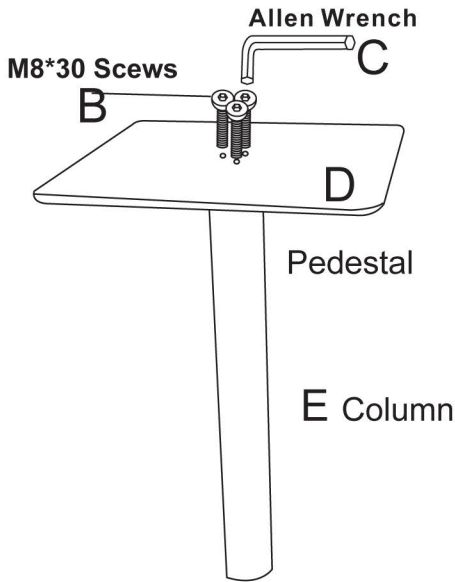
DO NOT ALLOW CHILDREN TO CLIMB ON FURNITURE

Serious or fatal injuries can occur from furniture tipping over. You must install Tipping Restraint Hardware (where included) to help prevent the unit from tipping and causing accidental injury, instability, death or damage. The tipping restraint is intended only as a safety measure, it is not a substitute for proper adult supervision. To help prevent furniture from tipping over it must be permanently attached to the wall. Anti-Tip Safety Wall Straps suitable for the unit weight and wall materials (if not included) should be purchased and installed.

PARTS

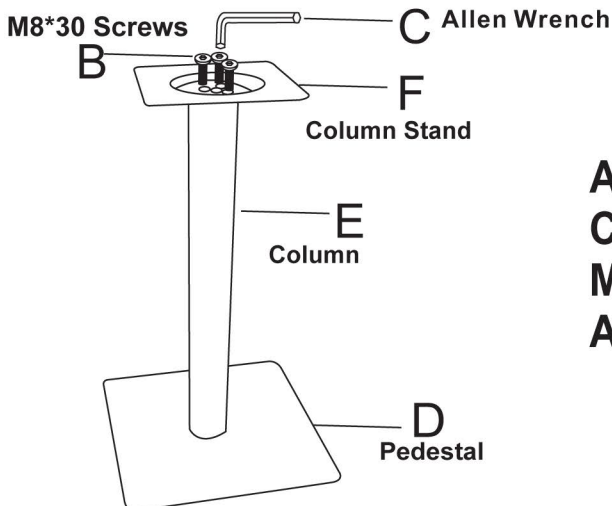
A	 M6*12	4PCS	Screw	E		1PC	Column
B	 M8*30	6PCS	Screw	F		1PC	Column Stand
C		1PC	Allen Wrench	G		1PC	Table Top
D		1PC	Pedestal				

STEP 1



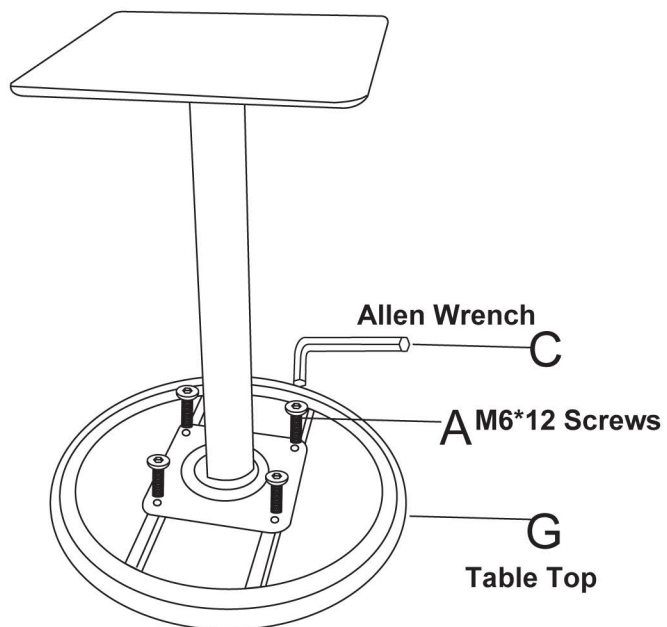
Attach the Pedestal (Part D) to the Column (Part E) using (3) M8*30 Screws (Part B). Tighten using Allen Wrench (Part C).

STEP 2



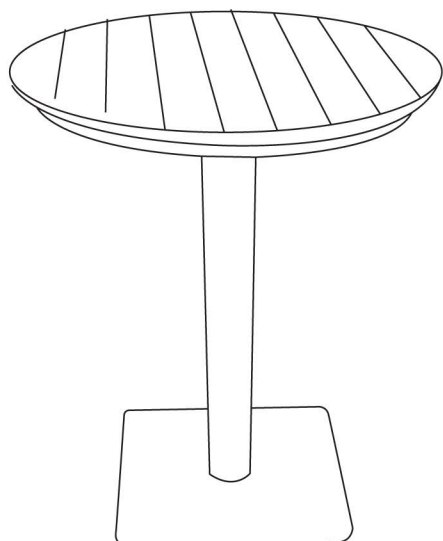
Attach the Column (Part E) to the Column Stand (Part F) using (3) M8*30 Screws (Part B). Tighten using Allen Wrench (Part C).

STEP 3



Lay Table Top (Part G) upside down on a smooth clean surface and attach the assembled column using (4) M6*12 Screws (Part A). Tighten using Allen Wrench (Part C).

STEP 4



Return table to the upright position

Quality and Safety Guidelines:

Please follow the static and dynamic weight capacity limits provided on this item.

Please use this item on a stable, level surface only. All table legs should contact the flooring surface when in use. Do not use this item if any instability is detected.

This item is intended as a table only, do not climb, stand or sit on this item.

For product longevity, product safety and product integrity, protect from extended periods of wet weather and store indoors in a dry location.