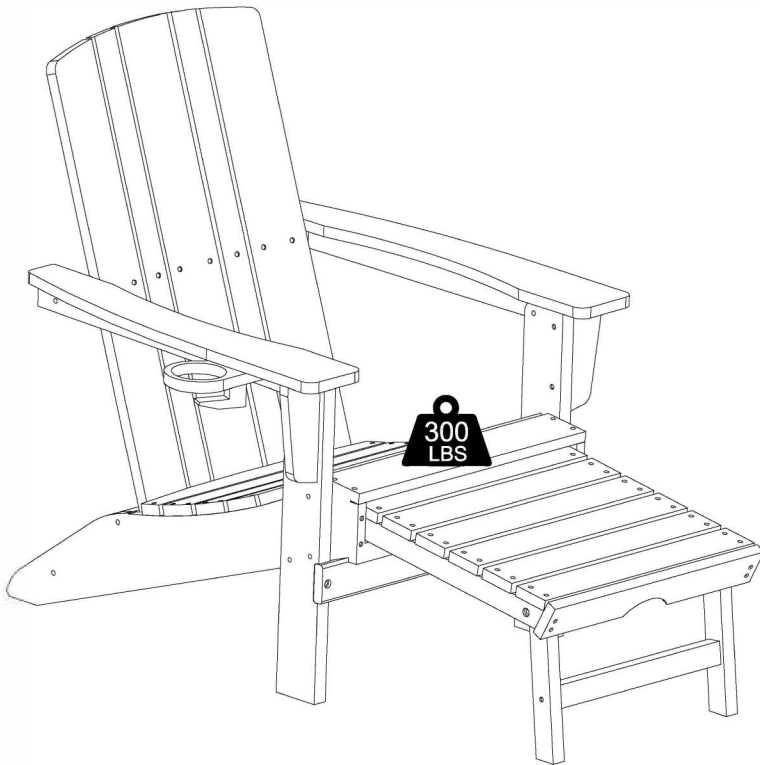


Thank you for your purchase!



**Indoor/Outdoor Poly Resin
Adirondack Chair With Pull out
Ottoman and Cupholder**

ASSEMBLY INSTRUCTIONS

Before You Begin:

Please identify all component parts and hardware pieces required before you begin. Carefully remove all of the components from the packaging and set aside for assembly. Assemble on a soft surface to prevent scratching during assembly.

Caution:

Tighten all components securely before use. Failure to do so may result in personal injury. DO NOT use any sharp objects to open plastic wrapped components as damage to product or components may result.







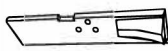





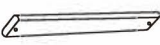


Warning:

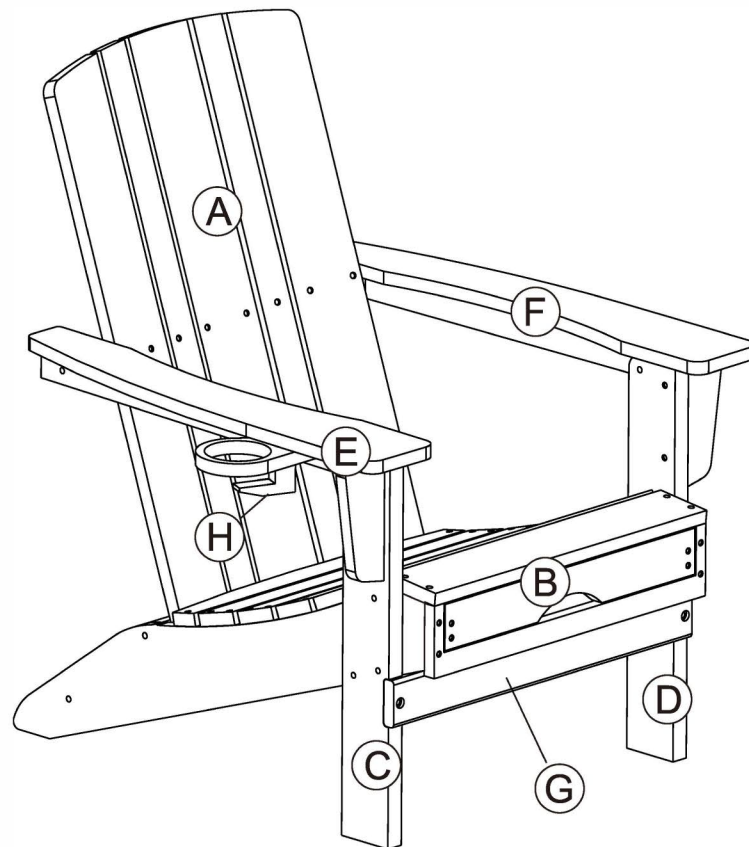
CHOKING HAZARD - Small Parts. Adult Assembly Required.

DO NOT ALLOW CHILDREN TO CLIMB ON FURNITURE

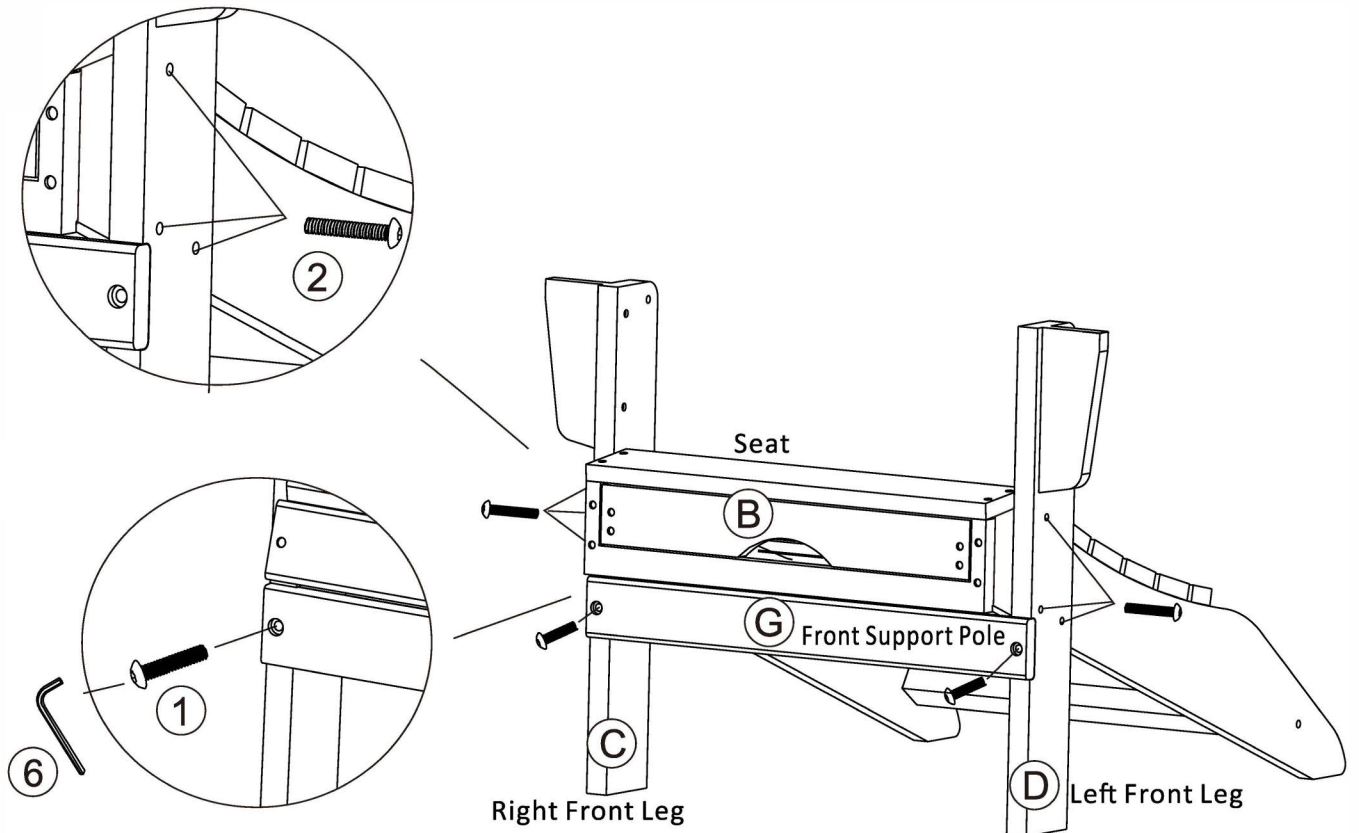
Serious or fatal injuries can occur from furniture tipping over. You must install Tipping Restraint Hardware (where included) to help prevent the unit from tipping and causing accidental injury, instability, death or damage. The tipping restraint is intended only as a safety measure, it is not a substitute for proper adult supervision.

To help prevent furniture from tipping over it must be permanently attached to the wall. Anti-Tip Safety Wall Straps suitable for the unit weight and wall materials (if not included) should be purchased and installed.

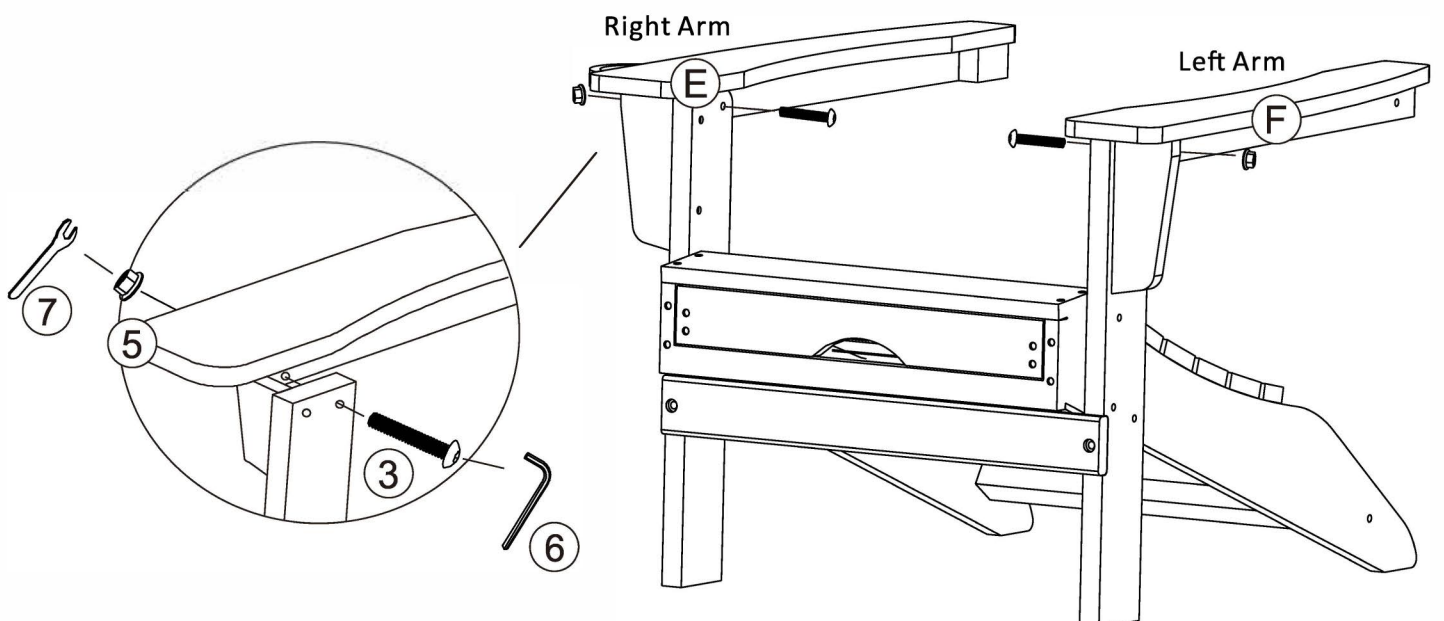
A		Back	1pc	1		Hex Bolt M6x30mm	3pcs
B		Seat	1pc	2		Hex Bolt M6x40mm	8pcs
C		Right Front Leg	1pc	3		Hex Bolt M6x60mm	2pcs
D		Left Front Leg	1pc	4		Hex Bolt M6x70mm	2pcs
E		Right Arm	1pc	5		Nut	2pcs
F		Left Arm	1pc	6		Allen Wrench 5#	1pc
G		Front Support Pole	1pc	7		Wrench	1pc
H		Cup Holder	1pc				



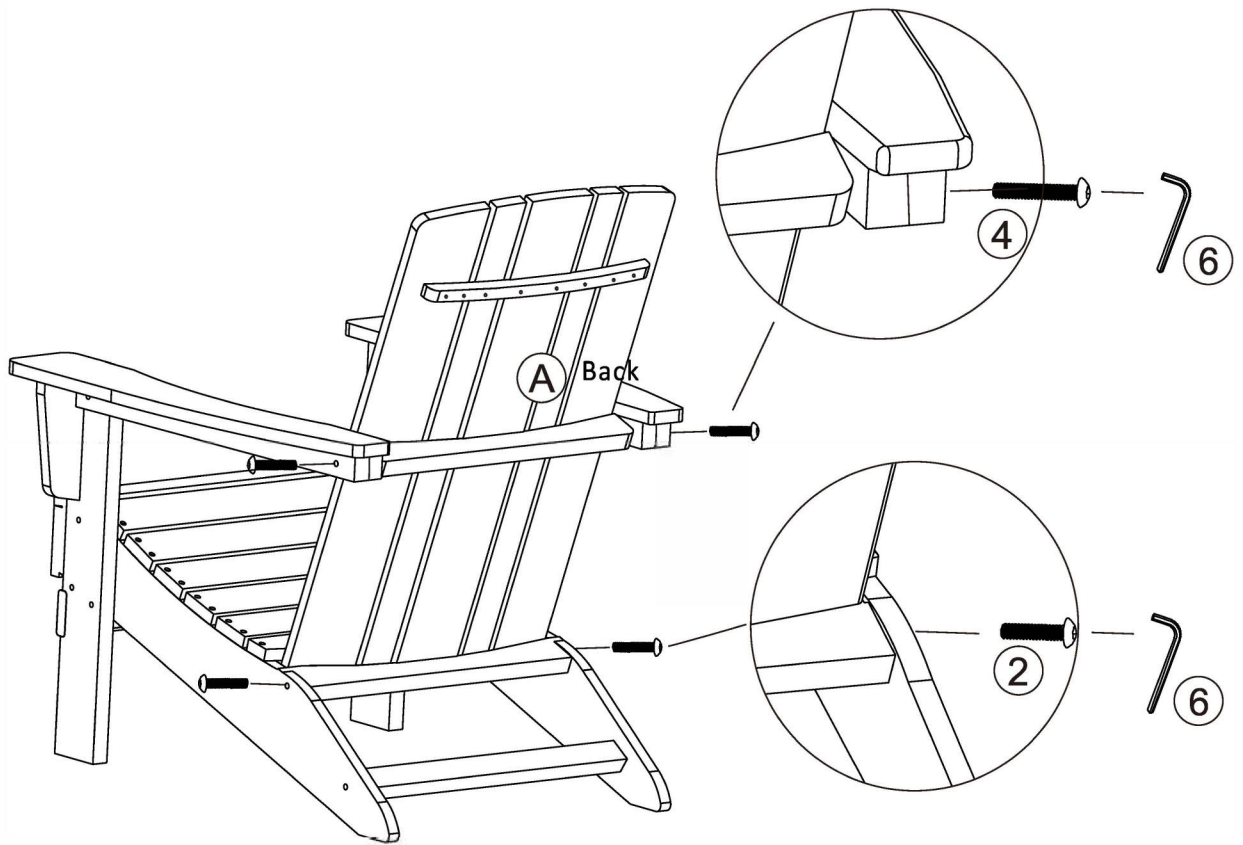
STEP:1



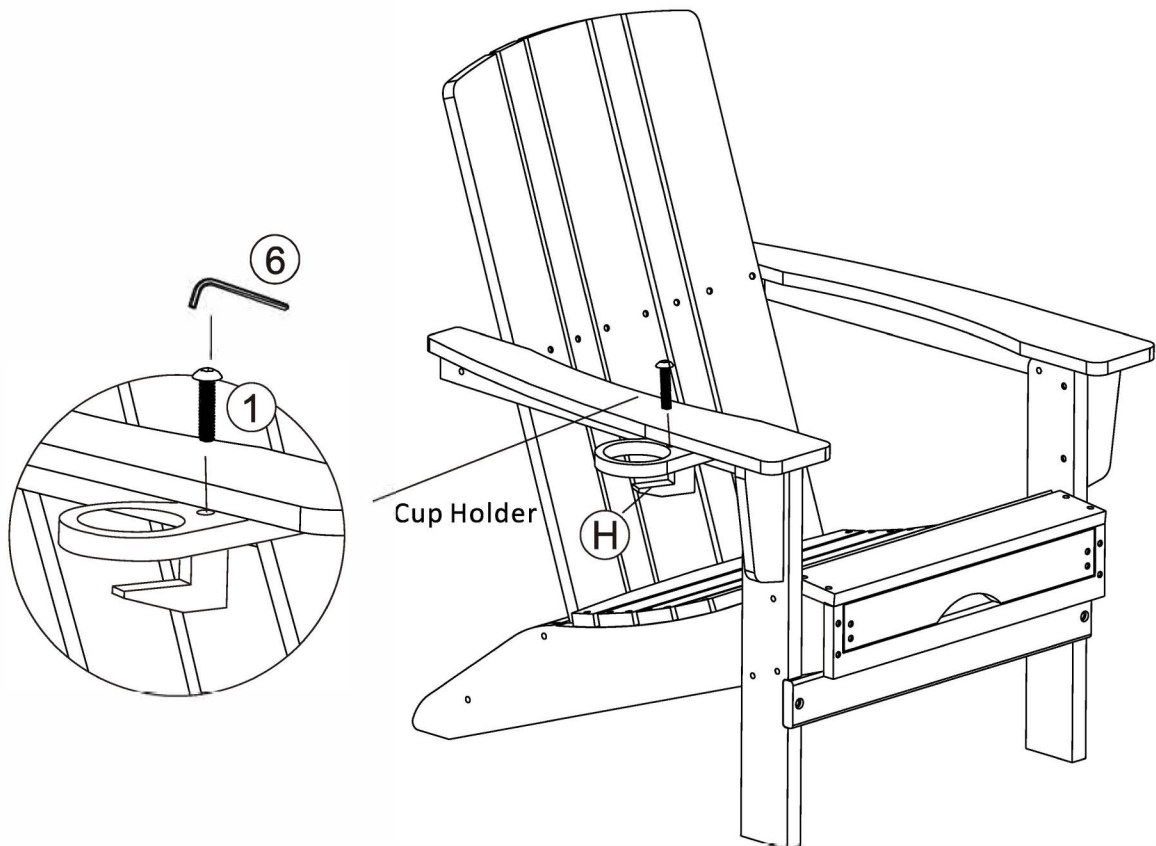
STEP:2



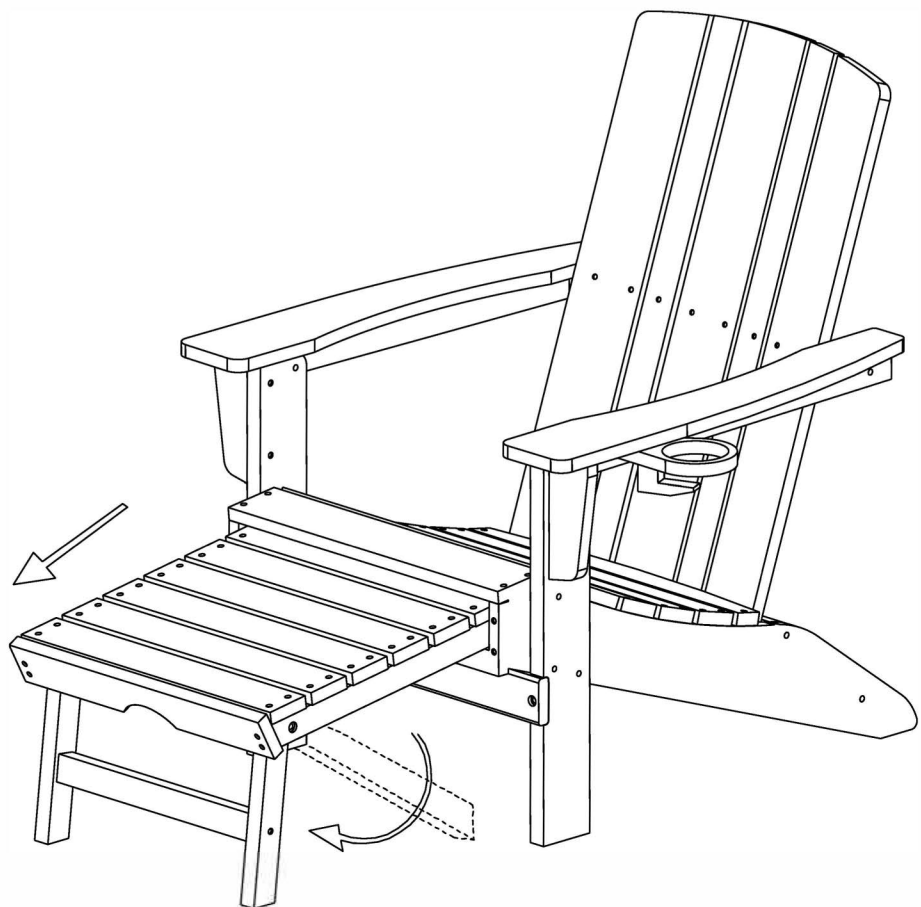
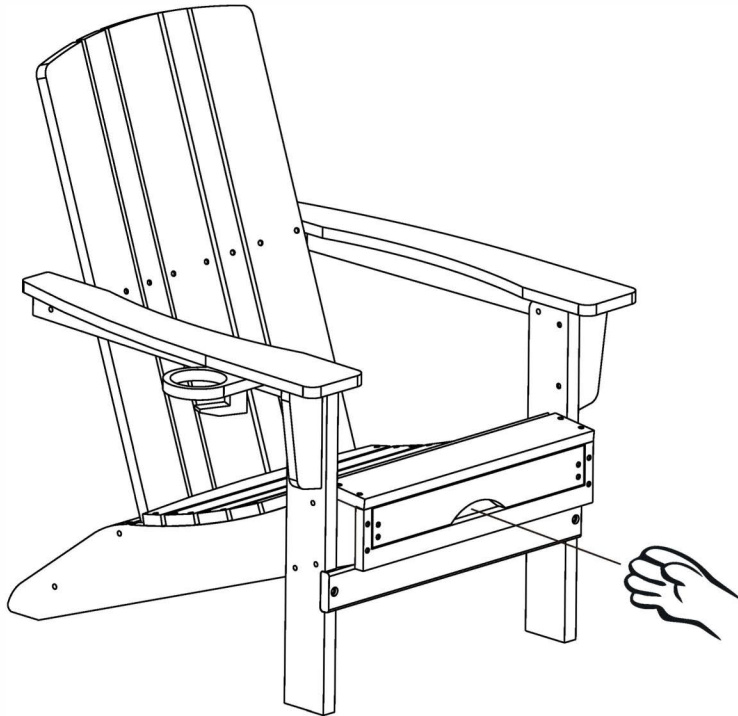
STEP:3



STEP:4



STEP:5



Quality and Safety Guidelines:

- Please follow the static and dynamic weight capacity limits provided on this item.
- Please use this item on a stable, level surface only. All lounge chair legs and footrest legs should contact the flooring surface when in use. Do not use this item if any instability is detected.
- Do not forcefully recline the lounge chair and ensure all chair legs and footrest legs remain on the flooring surface when the lounge chair is in use.
- This item is intended for sitting or lying down only, do not climb or stand on this item.
- To prevent pinching or crushing injuries, ensure all areas are clear before adjusting any part of the chair.
- For product longevity, product safety and product integrity, protect from extended periods of wet weather and store indoors in a dry location.