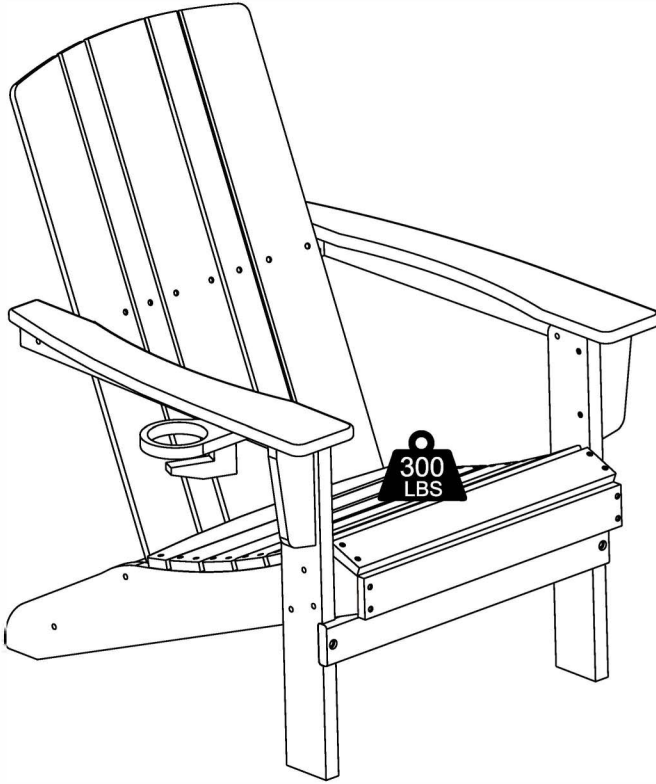


*Thank you for your purchase!*



**Indoor/Outdoor Poly Resin  
Adirondack Chair With Cup Holder**

## ASSEMBLY INSTRUCTIONS

**Before You Begin:**

Please identify all component parts and hardware pieces required before you begin. Carefully remove all of the components from the packaging and set aside for assembly. Assemble on a soft surface to prevent scratching during assembly.

**Caution:**

Tighten all components securely before use. Failure to do so may result in personal injury. DO NOT use any sharp objects to open plastic wrapped components as damage to product or components may result.

**Warning:**



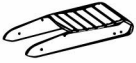

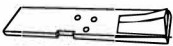

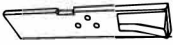








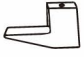
**CHOKING HAZARD** - Small Parts. Adult Assembly Required.

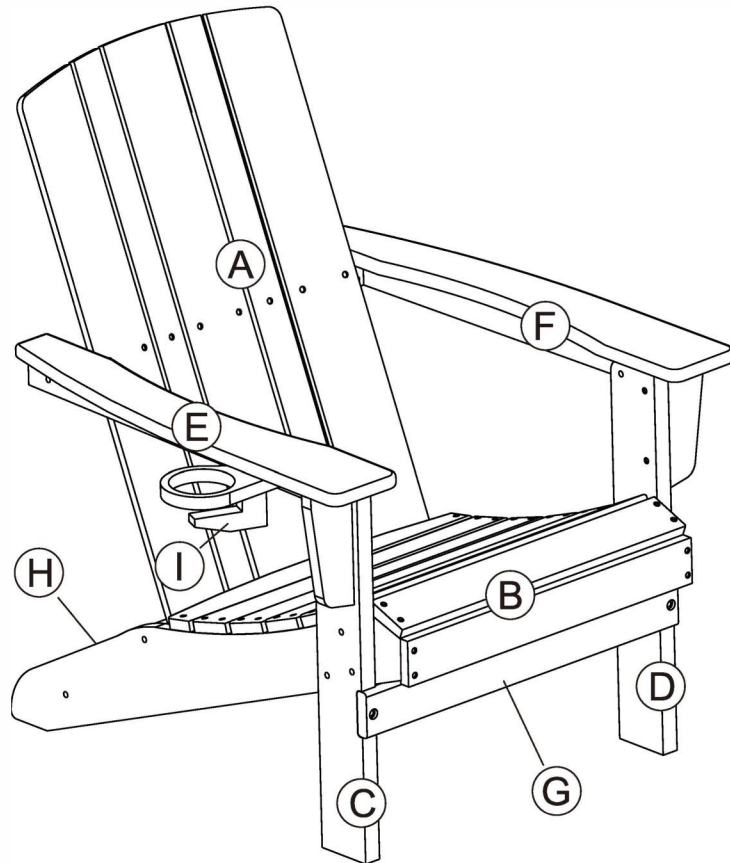
**DO NOT ALLOW CHILDREN TO CLIMB ON FURNITURE**

Serious or fatal injuries can occur from furniture tipping over. You must install Tipping Restraint Hardware (where included) to help prevent the unit from tipping and causing accidental injury, instability, death or damage. The tipping restraint is intended only as a safety measure, it is not a substitute for proper adult supervision.

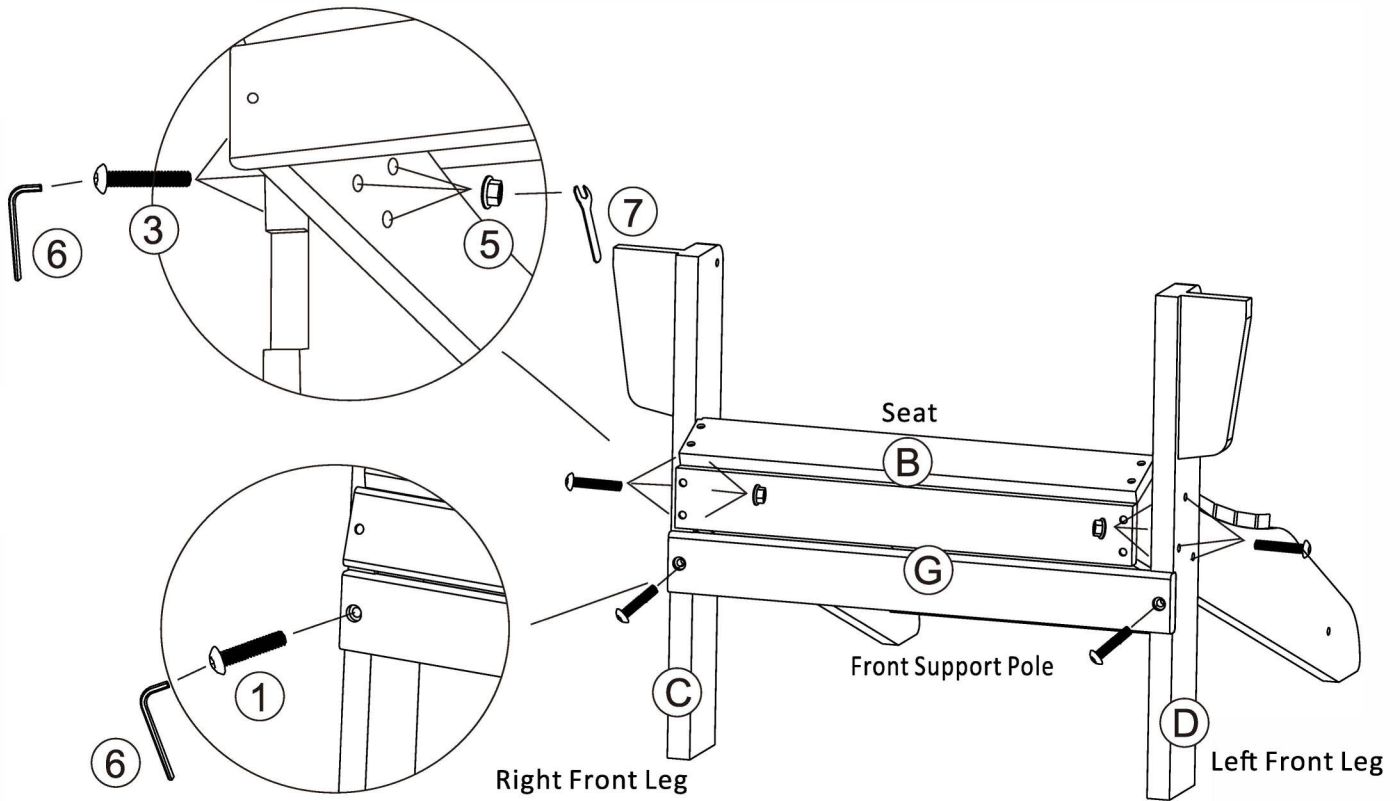
To help prevent furniture from tipping over it must be permanently attached to the wall. Anti-Tip Safety Wall Straps suitable for the unit weight and wall materials (if not included) should be purchased and installed.

---

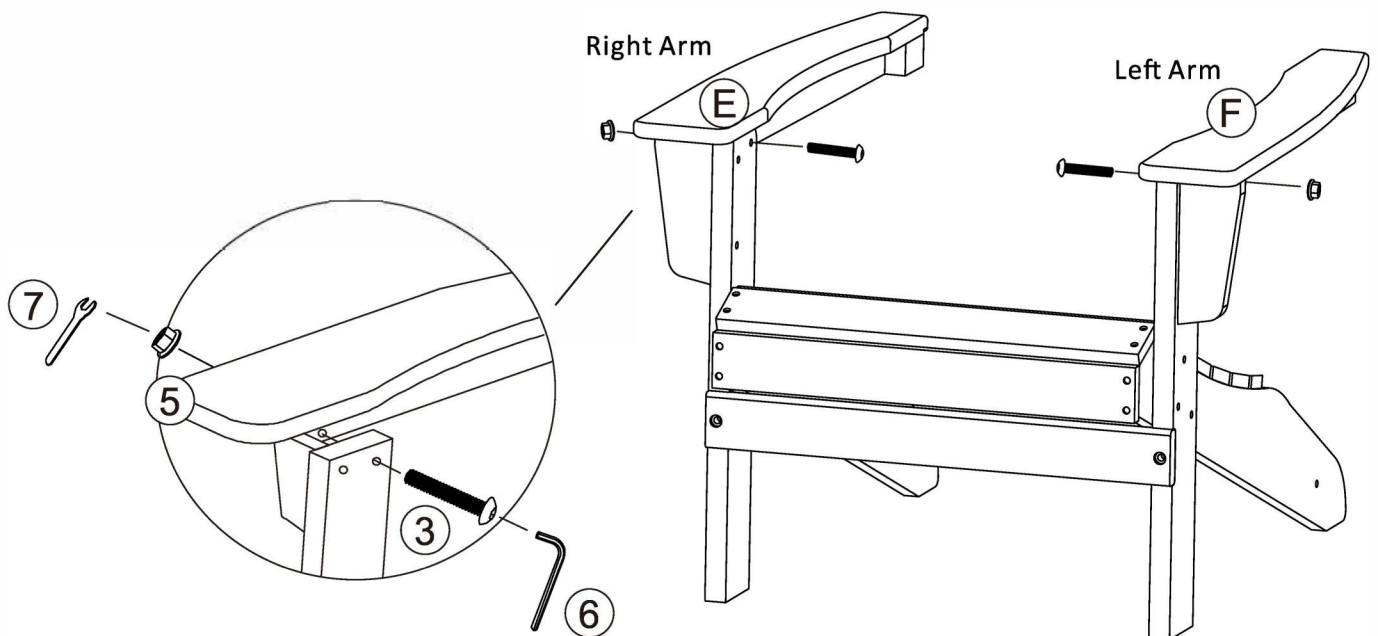
<b>A</b>	 Back	1pc	1	 Hex Bolt M6x30mm	3pcs
<b>B</b>	 Seat	1pc	2	 Hex Bolt M6x40mm	4pcs
<b>C</b>	 Right Front Leg	1pc	3	 Hex Bolt M6x60mm	8pcs
<b>D</b>	 Left Front Leg	1pc	4	 Hex Bolt M6x70mm	2pcs
<b>E</b>	 Right Arm	1pc	5	 Nut	8pcs
<b>F</b>	 Left Arm	1pc	6	 Allen Wrench 5#	1pc
<b>G</b>	 Front Support Pole	1pc	7	 Wrench	1pc
<b>H</b>	 Back Support Pole	1pc			
<b>I</b>	 Cup Holder	1pc			



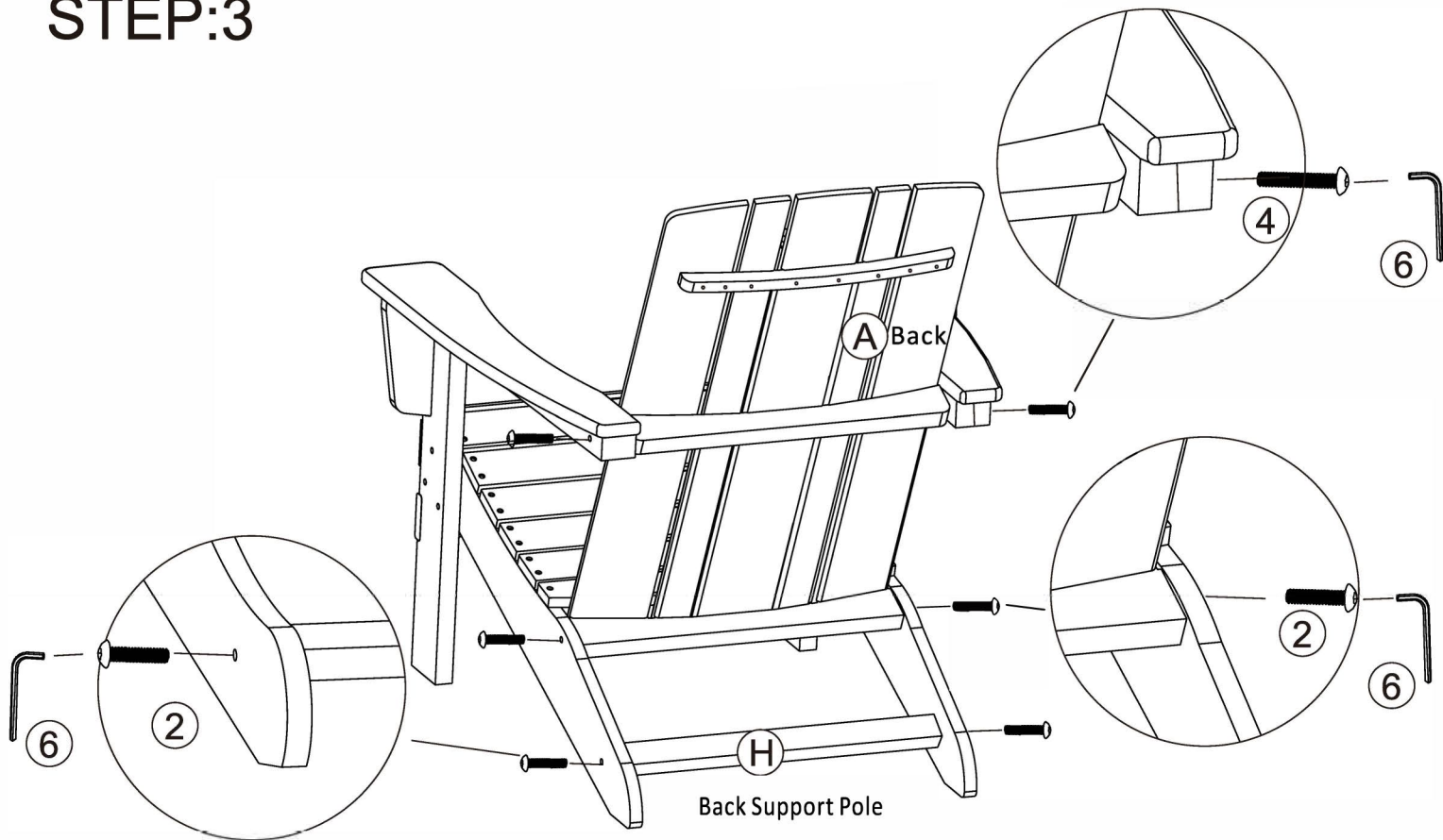
# STEP:1



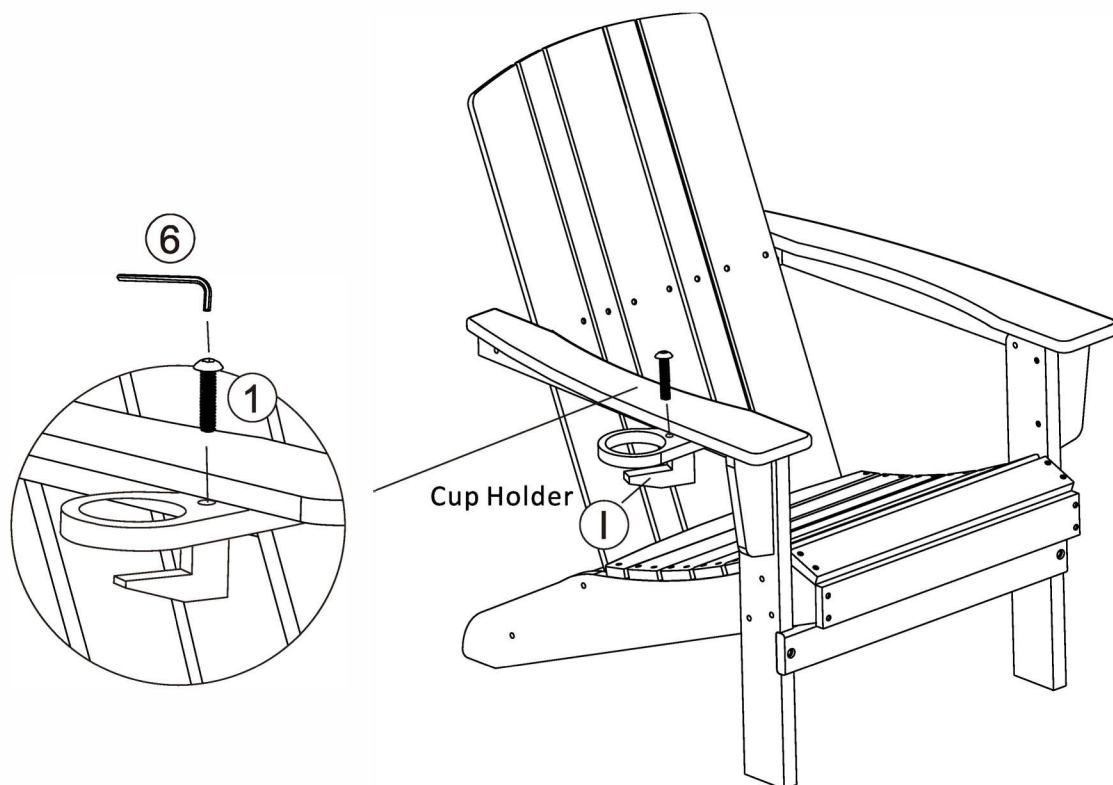
# STEP:2



# STEP:3



# STEP:4





## Quality and Safety Guidelines:

- Please follow the static and dynamic weight capacity limits provided on this item.
- Please use this item on a stable, level surface only. All chair legs should contact the flooring surface when in use. Do not use this item if any instability is detected.
- This chair is not intended for reclined positions. To prevent accidental tipping, do not push backward or forward while seated.
- This item is intended for sitting only, do not climb or stand on this item.
- For product longevity, product safety and product integrity, protect from extended periods of wet weather and store indoors in a dry location.