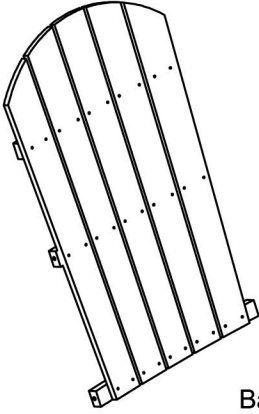

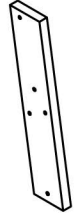
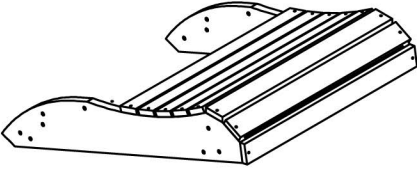
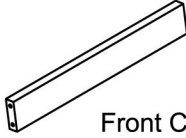
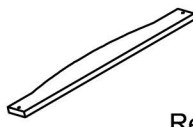
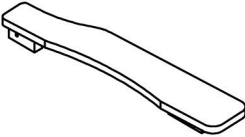

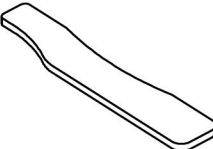
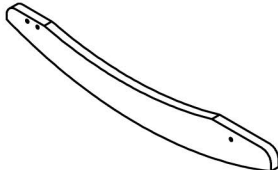


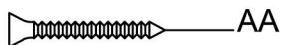
A	 Backrest	1PC	E	 Back supports	2PCS
			F	 Front Legs	2PCS
B	 Seat	1PC	G	 Front Crossbeam	1PC
			H	 Rear Seat Slat	1PC
C	 Left Arm	1PC	I	 Rear Crossbeam	1PC
D	 Right Arm	1PC	J	 Rockers	2PCS

TOOLS REQUIRED (not included)

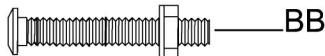


⊕ Phillips Screwdriver

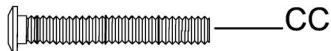
Hardware Included



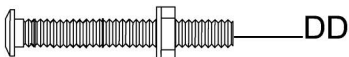
AA



BB



CC



DD



EE

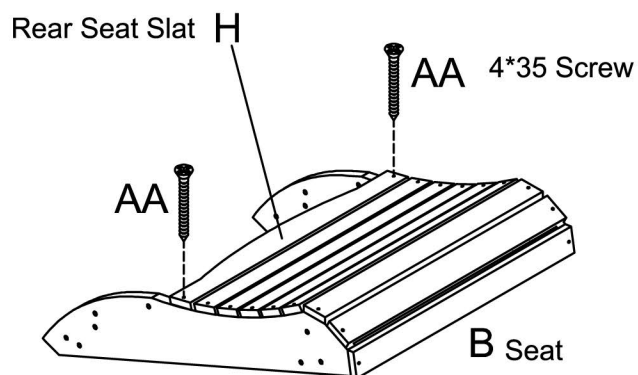


Allen Wrench FF

Part	Description	Quantity
AA	4*35 Screw	2
BB	M6*50 Bolt and nut sets	4
CC	M6*50 Bolt	6
DD	M6*60 Bolt and nut sets	10
EE	M6*70 Bolt	4

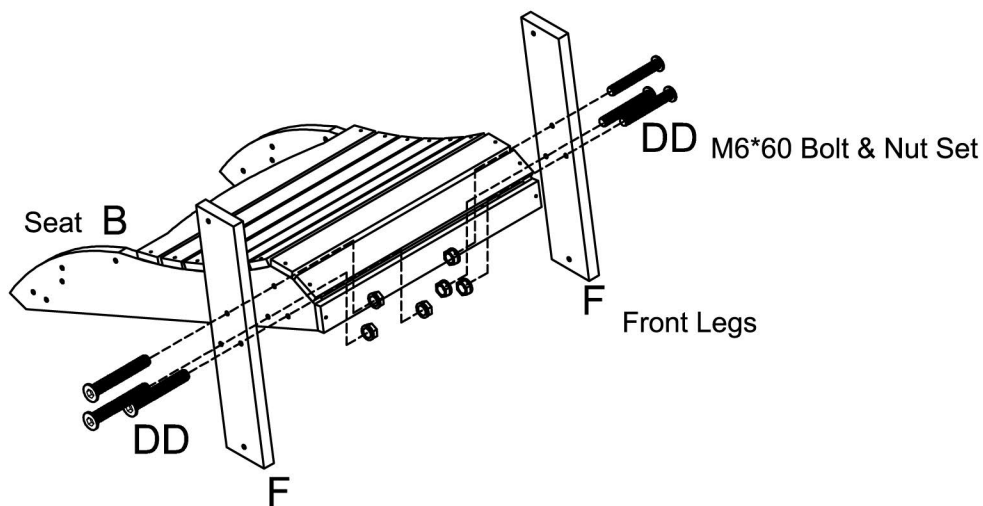
STEP 1

Attach the Rear Seat Slat (Part H) to the Seat (Part B) using (2) 4*35 Screws (Part AA). Tighten using a Philips screwdriver.



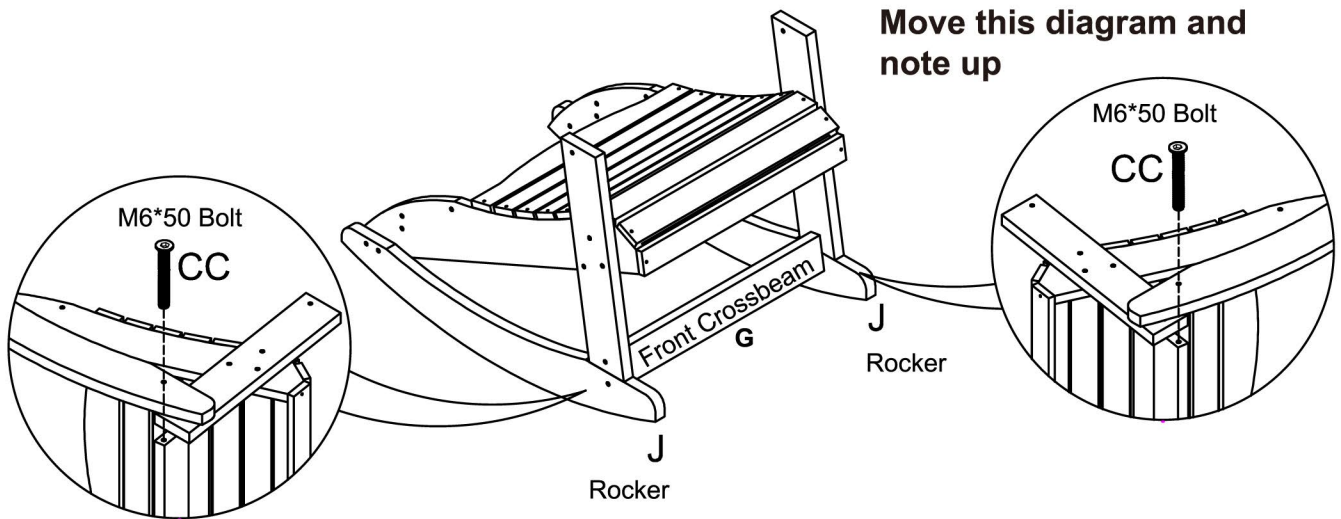
STEP 2

Attach the Front Legs (Part F) to the Seat (Part B) using (6) M6*60 Bolt and Nut Sets (Part DD). Hand tighten bolts.



STEP 3

Attach the Front Crossbeam (Part G) to the Legs (Part F) using (2) M6*50 Bolts (Part CC).
Attach the Rockers (Part J) to the Front Crossbeam (Part G) using (2) M6*50 Bolts (Part CC) then hand tighten.

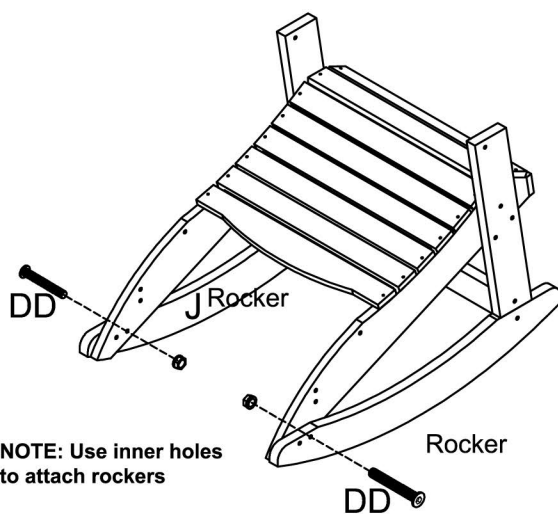


Move this diagram and note up

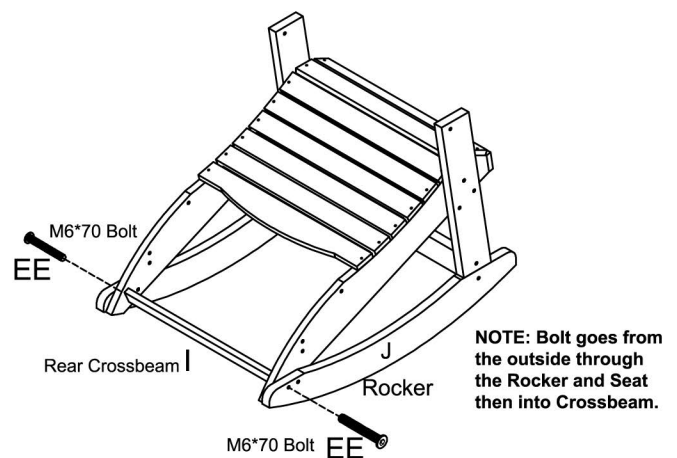
NOTE: Bolt only goes from the outside through the Rocker into the Crossbeam.

STEP 4A & 4B

Attach the Rockers (Part J) to the Seat (Part B) using (2) M6*60 Bolt and Nut Sets (Part DD) then hand tighten.

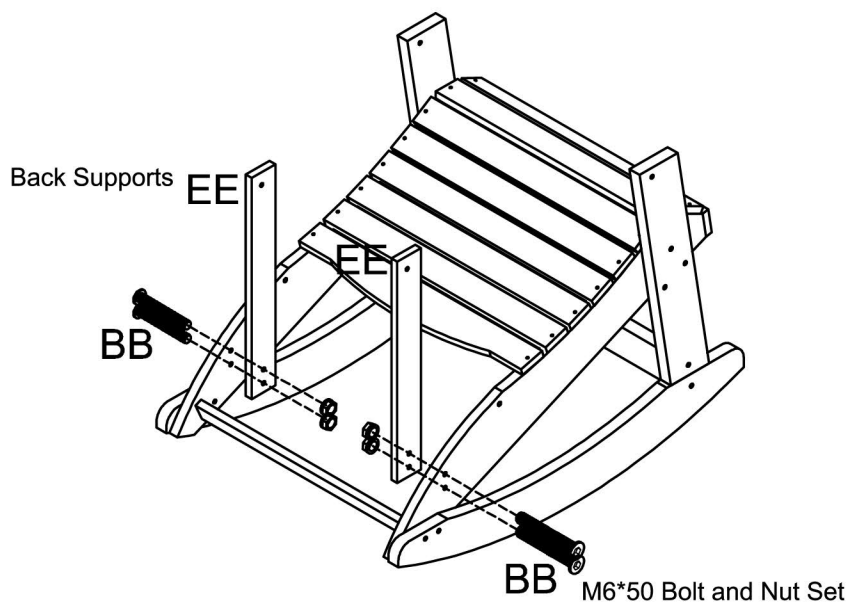


Attach Rear Crossbeam (Part I) to the Seat (Part B) and Rockers (Part J) using (2) M6*70 Bolts (Part EE) then hand tighten.



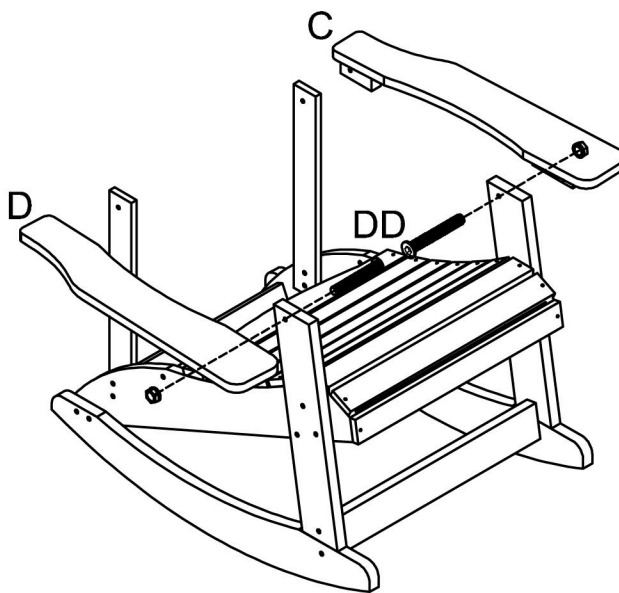
STEP 5

Attach the Back Supports (Part E) to the Seat (Part B) using (4) M6*50 Bolt and Nut Sets (Part BB) then hand tighten.



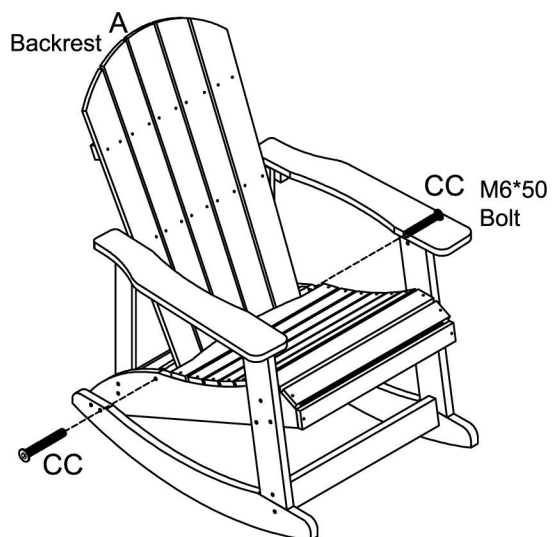
STEP 6

Attach the front of the Left Armrest (Part C) and Right Armrest (Part D) to the Front Legs (Part F) using (2) M6*60 Bolt and Nut Sets (Part DD) then hand tighten.

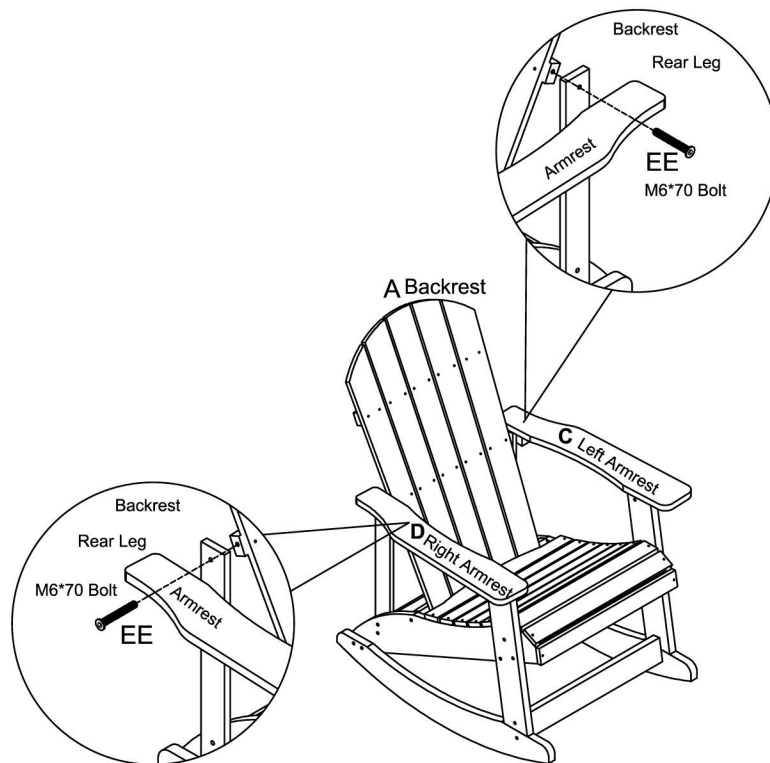


STEP 7A & 7B

Attach the bottom of the Backrest (Part A) to the Seat (Part B) using (2) M6*50 Bolts (Part CC).

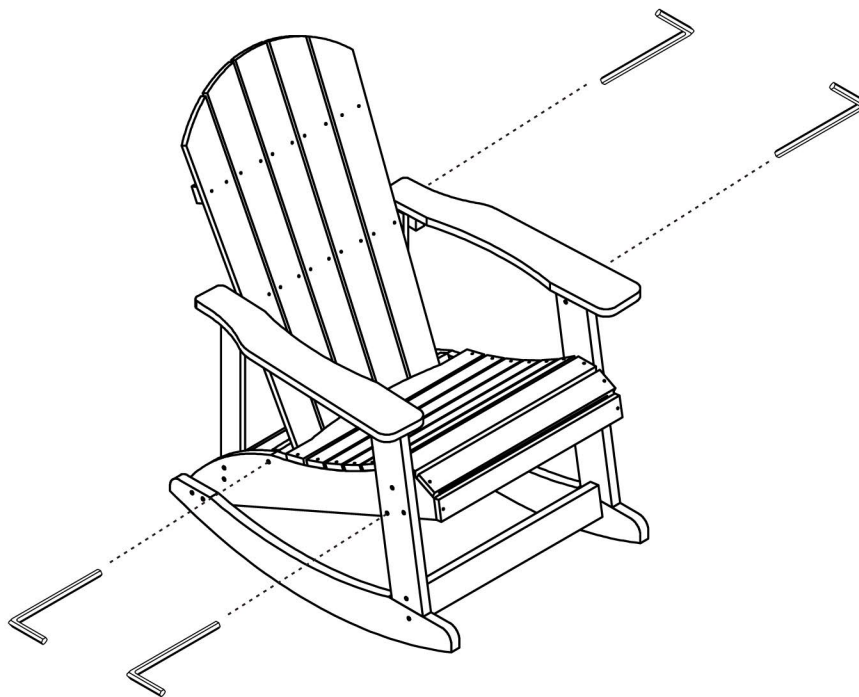


Attach the rear of the Left Armrest (Part C) and Right Armrest (Part D) to the Rear Legs (Part F) and Backrest (Part A) using (2) M6*70 Bolts (Part EE).



STEP 8

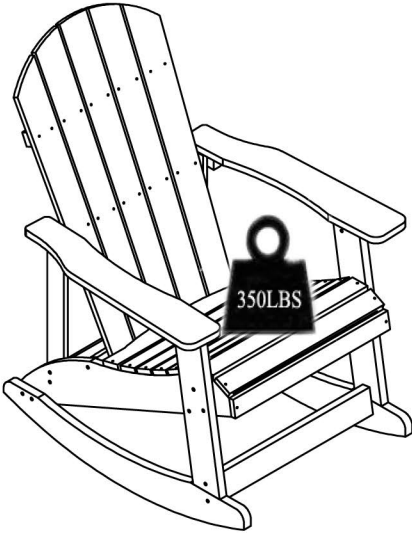
Tighten all bolts with Allen Wrench.



Quality and Safety Guidelines:

- Please follow the static and dynamic weight capacity limits provided on this item.
- Please use this item on a stable, level surface only. All chair legs should contact the flooring surface when in use.
- To prevent pinching or crushing injuries, ensure that the area beneath the curved rockers is clear before the chair is set into motion.
- This chair is intended for gentle rocking motions, do not use excessive force during backward or forward movement to prevent accidental tipping.
- This item is intended for sitting only, do not climb or stand on this item.
- For product longevity, product safety and product integrity, protect from extended periods of wet weather and store indoors in a dry location.

All-Weather Rocking Adirondack Chair



ASSEMBLY INSTRUCTIONS

Before You Begin:

Please identify all component parts and hardware pieces required before you begin. Carefully remove all of the components from the packaging and set aside for assembly. Assemble on a soft surface to prevent scratching during assembly.

Caution:

Tighten all components securely before use. Failure to do so may result in personal injury. DO NOT use any sharp objects to open plastic wrapped components as damage to product or components may result.

Warning:

CHOKING HAZARD - Small Parts. Adult Assembly Required.

DO NOT ALLOW CHILDREN TO CLIMB ON FURNITURE

Serious or fatal injuries can occur from furniture tipping over. You must install Tipping Restraint Hardware (where included) to help prevent the unit from tipping and causing accidental injury, instability, death or damage. The tipping restraint is intended only as a safety measure, it is not a substitute for proper adult supervision.

To help prevent furniture from tipping over it must be permanently attached to the wall. Anti-Tip Safety Wall Straps suitable for the unit weight and wall materials (if not included) should be purchased and installed.
