



Mid-Back Swivel Ergonomic Task Office Chair with Flip-Up Arms

ASSEMBLY INSTRUCTIONS

Before You Begin:

Please identify all component parts and hardware pieces required before you begin. Carefully remove all of the components from the packaging and set aside for assembly. Assemble on a soft surface to prevent scratching during assembly.

Caution:

Tighten all components securely before use. Failure to do so may result in personal injury. DO NOT use any sharp objects to open plastic wrapped components as damage to product or components may result.

Warning:

CHOKING HAZARD - Small Parts. Adult Assembly Required.

Injury may result from tipping furniture. You must install the Tipping Restraint Hardware with the unit to prevent the unit from tipping and causing any accidental injury, instability, death or damage. The tipping restraint is intended only as a safety measure, it is not a substitute for proper adult supervision.

This tipping restraint is not an earthquake restraint. If you wish to add the extra security of earthquake restraints, they must be purchased and installed separately.

Serious or fatal crushing injuries can occur from furniture tipping over. To prevent furniture from tipping over it must be permanently fixed to the wall. Fixing devices for the wall are not included since different wall materials require different types of fixing devices. Use fixing devices suitable for the walls in your home.








Failure to detach this restraint before moving furniture may result in injury or damage.

DO NOT ALLOW CHILDREN TO CLIMB ON FURNITURE

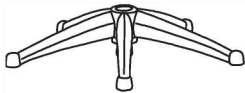




Hardware:

Part A		Bolt M6x25mm	QTY: 4			
Part B		Bolt M6x20mm	QTY: 4	Part E		Allen Wrench QTY: 1
Part C		Bolt M6x40mm	QTY: 4	Part F		Cap Cover QTY: 2
Part D		Flat Washer M6	QTY: 4	Part G		Cap Cover QTY: 2

Part 1: Base x1



Part 2: Cylinder Column x1



Part 3: Control Mechanism x1



Part 4: Seat x1



Part 5: Backrest x1



Part 6: Left Arm x1



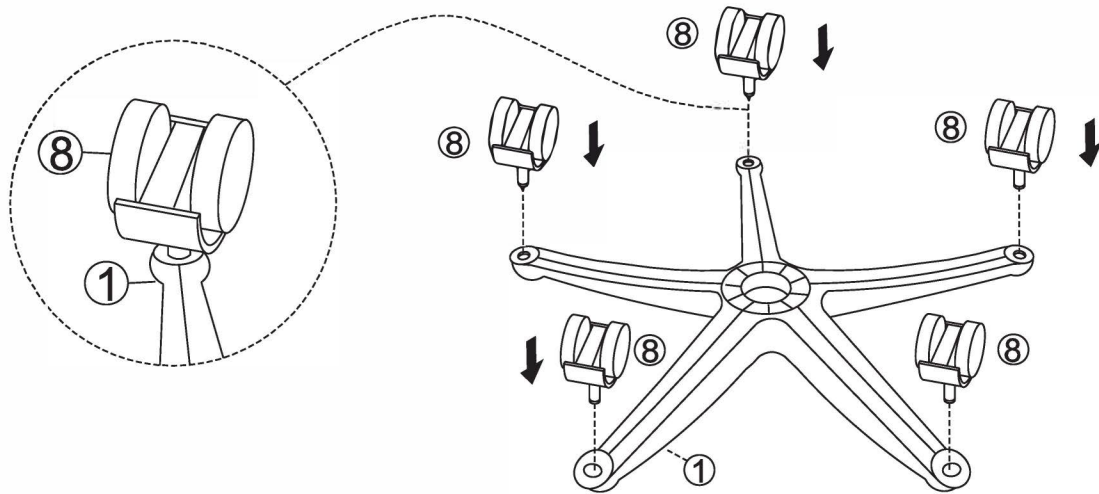
Part 7: Right Arm x1



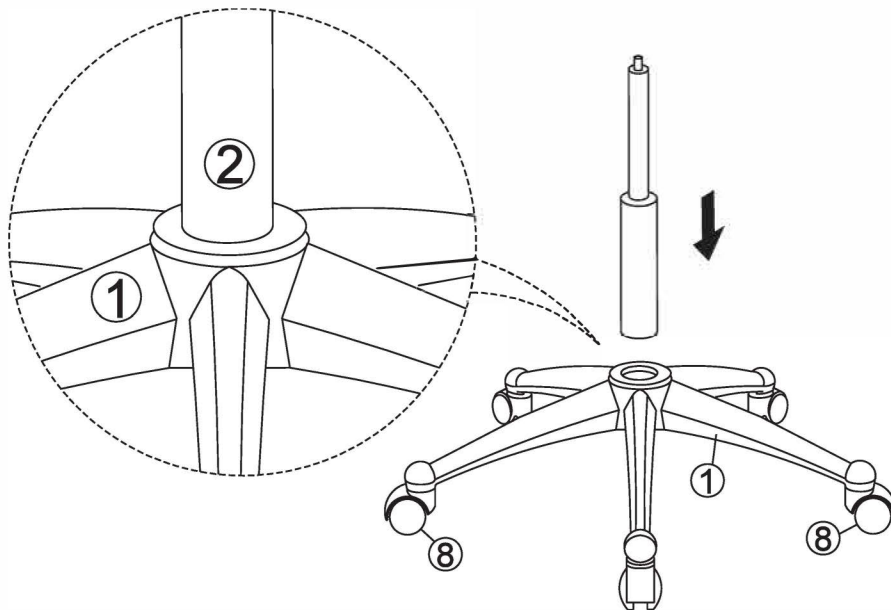
Part 8: Caster x5



STEP 1:

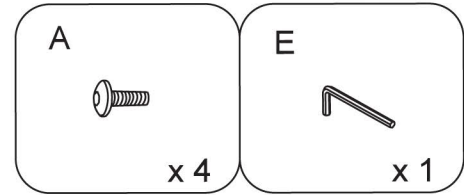
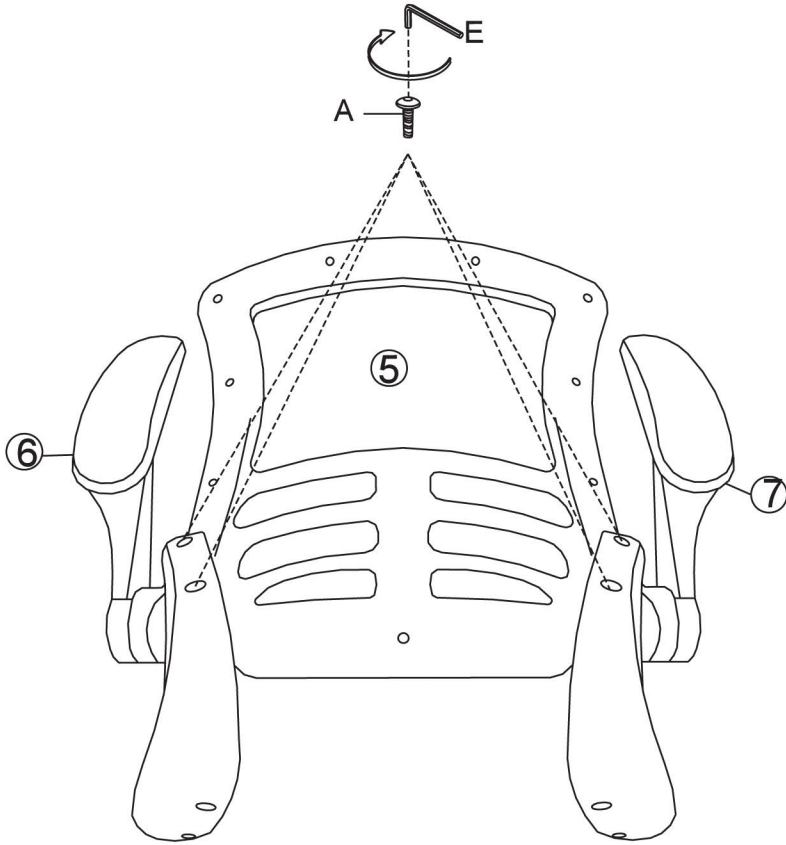


STEP 2:



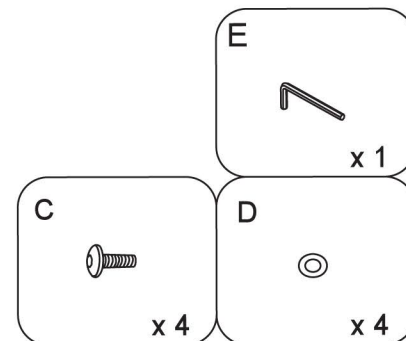
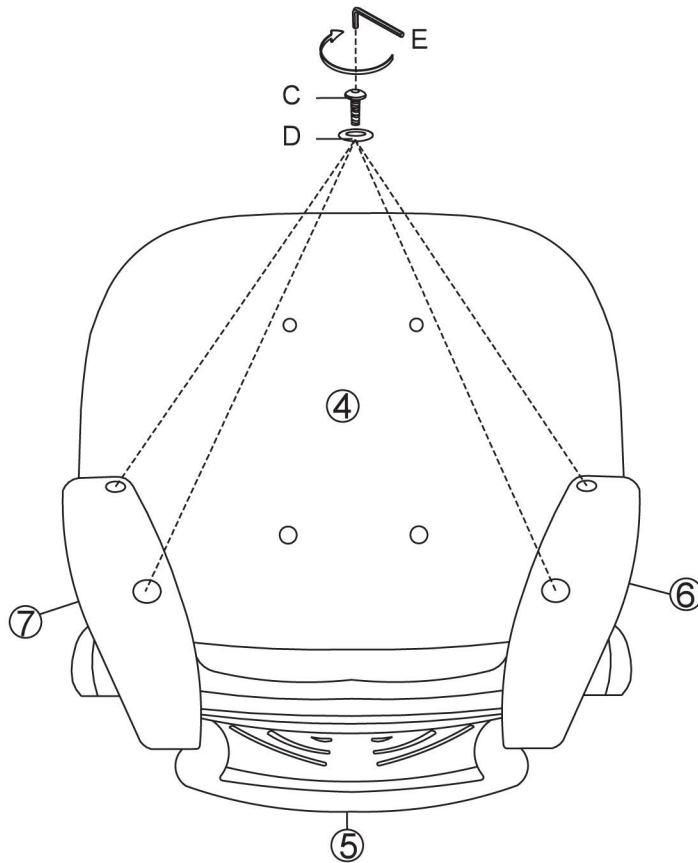
STEP 3:

NOTE: DO NOT COMPLETELY TIGHTEN SCREWS

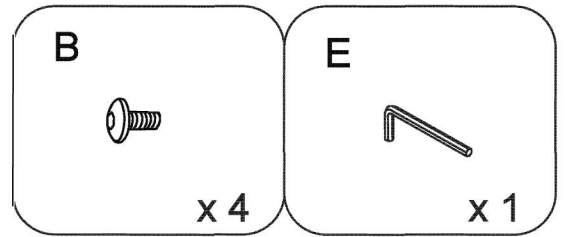
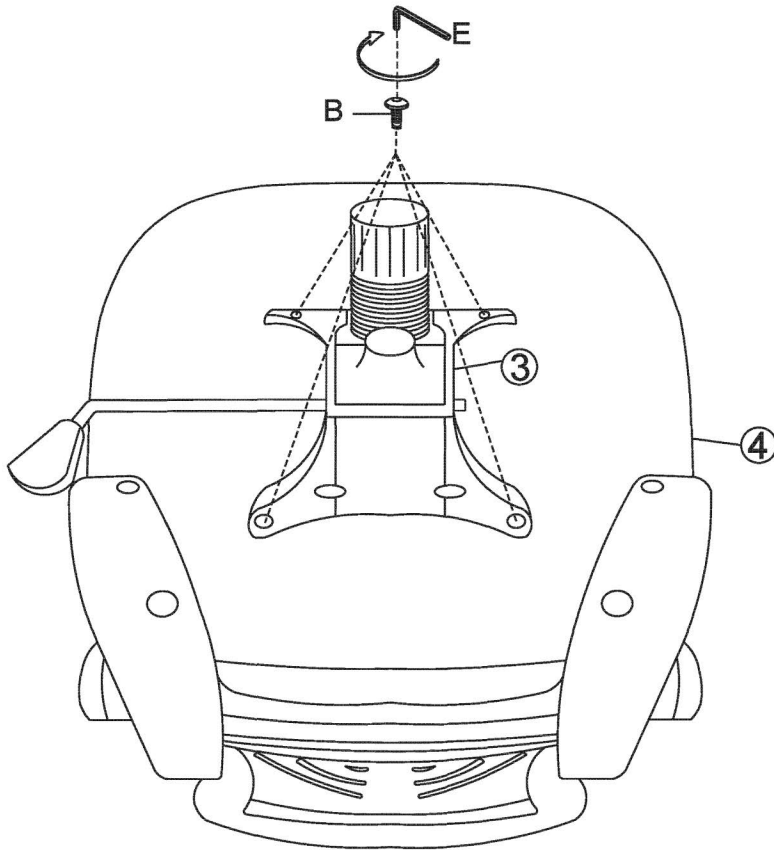


STEP 4:

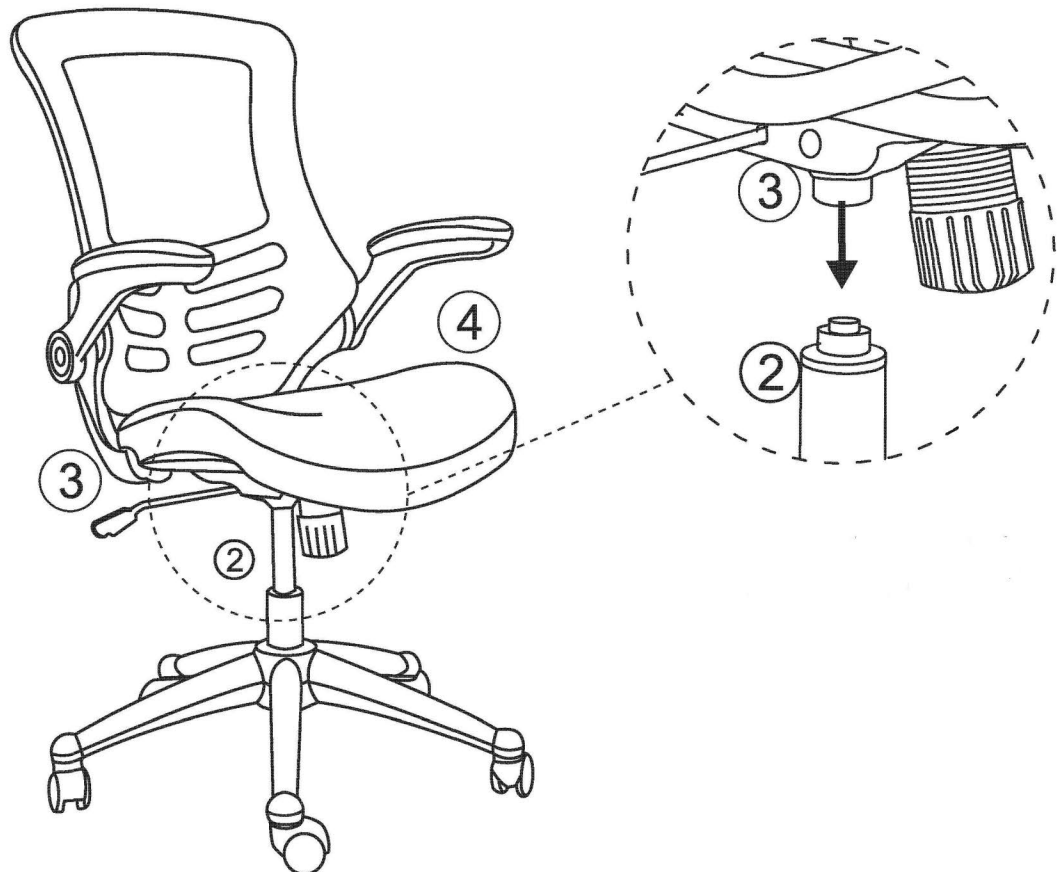
NOTE: DO NOT COMPLETELY TIGHTEN SCREWS



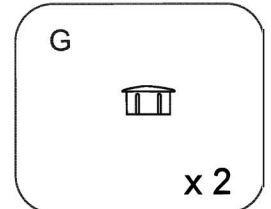
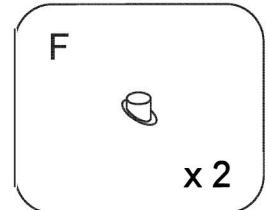
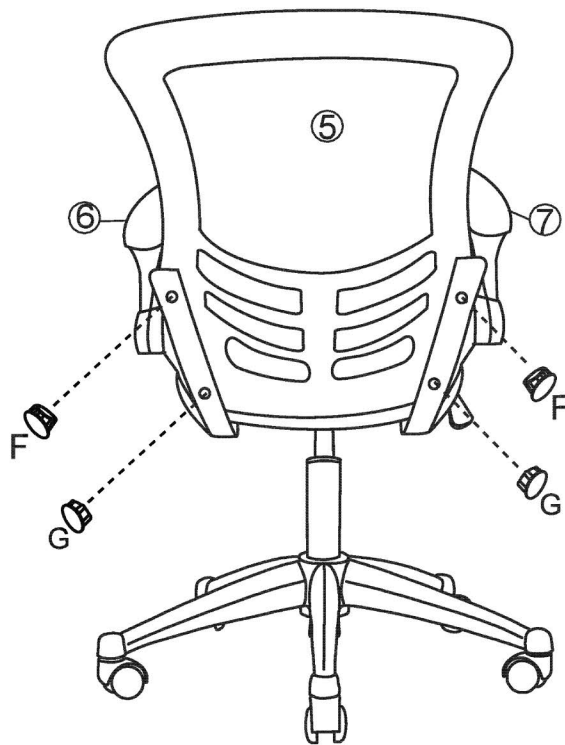
STEP 5:



STEP 6:



STEP 7: TIGHTEN ALL BOLTS



Quality and Safety Guidelines

- Please follow the static and dynamic weight capacity limits provided on this item.
- Please use this item on a stable, level surface only. All casters should contact the flooring surface when in use. Do not use this item if any instability is detected.
- This item is intended for sitting only, do not climb or stand on this item.
- This item is intended for indoor use only.
- Store indoors away from moisture.