

# UPHOLSTERED PLATFORM BED

## ASSEMBLY INSTRUCTIONS

### Before You Begin:

Please identify all component parts and hardware pieces required before you begin. Carefully remove all of the components from the packaging and set aside for assembly. Assemble on a soft surface to prevent scratching during assembly.

### Caution:

Tighten all components securely before use. Failure to do so may result in personal injury.

DO NOT use any sharp objects to open plastic wrapped components as damage to product or components may result.

### Warning:

**CHOKING HAZARD - Small Parts. Adult Assembly Required.**

Injury may result from tipping furniture. You must install the Tipping Restraint Hardware with the unit to prevent the unit from tipping and causing any accidental injury, instability, death or damage. The tipping restraint is intended only as a safety measure, it is not a substitute for proper adult supervision.

This tipping restraint is not an earthquake restraint. If you wish to add the extra security of earthquake restraints, they must be purchased and installed separately.

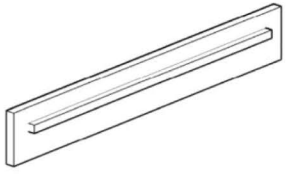
Serious or fatal crushing injuries can occur from furniture tipping over. To prevent furniture from tipping over it must be permanently fixed to the wall. Fixing devices for the wall are not included since different wall materials require different types of fixing devices. Use fixing devices suitable for the walls in your home

Failure to detach this restraint before moving furniture may result in injury or damage.

**DO NOT ALLOW CHILDREN TO CLIMB ON FURNITURE**

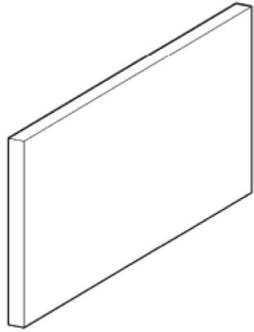
# Part

**Part 1:** Left & Right Side Rails



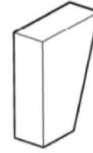
4 pcs

**Part 2:** Headboard



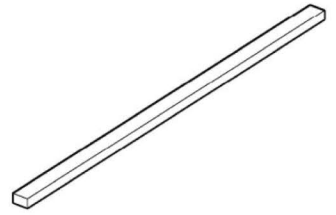
1pc

**Part 3:** Footboard Legs



2pcs

**Part 4:** Headboard Legs



2pcs

**Part 5:** Left & Right Side Legs



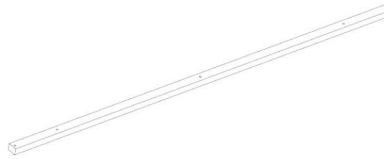
2pcs

**Part 6:** Center Legs



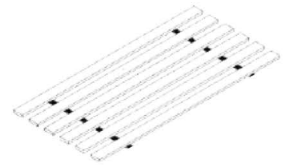
4pcs

**Part 7:** Center Rail



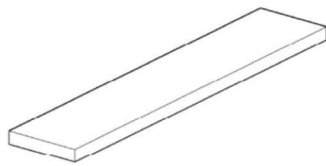
2pcs

**Part 8:** Support Slats



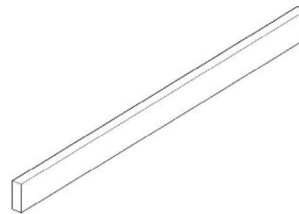
2pcs

**Part 9 :** Footboard



1pc

**Part 10:** Headboard Wings



2pcs

# Hardware

**NOTE: Phillips Screwdriver Required (Not Included)**



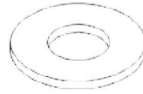
M8 x 35mm

**Part A** 10pcs



M8 x 1mm Large Lock Washer

**Part B** 10pcs



M8 x 1mm Large Flat Washer

**Part C** 10pcs



M6 x 23mm Height  
Adjustable Glides

**Part D** 10 pcs



M8 x 20mm Screw

**Part E** 8pcs



M6 x 45 mm Screw

**Part F** 4pcs



M6 x 50mm Screw

**Part G** 4pcs



M6 x 25mm Screw

**Part H** 8pcs



M30  
Self Tapping Screw

**Part I** 8pcs



M6 x 1mm  
Small Lock Washer

**Part J** 12pcs



M6 x 1mm Small Flat  
Washer

**Part K** 12pcs



M4 x 95mm  
Small Allen Wrench

**Part L** 1pc



M5 x 95mm  
Large Allen Wrench

**Part M** 1pc



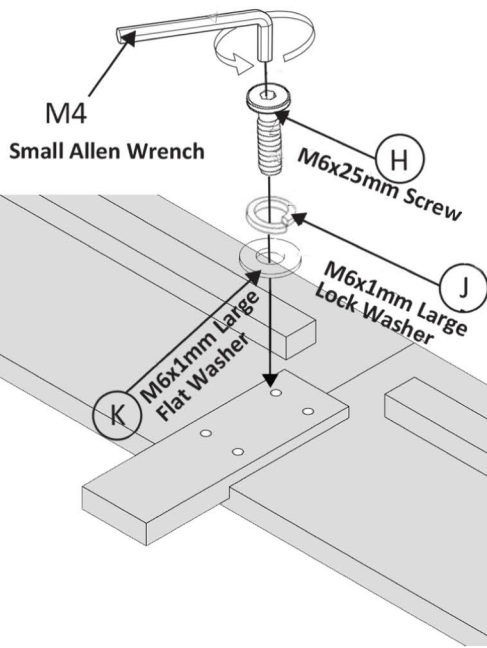
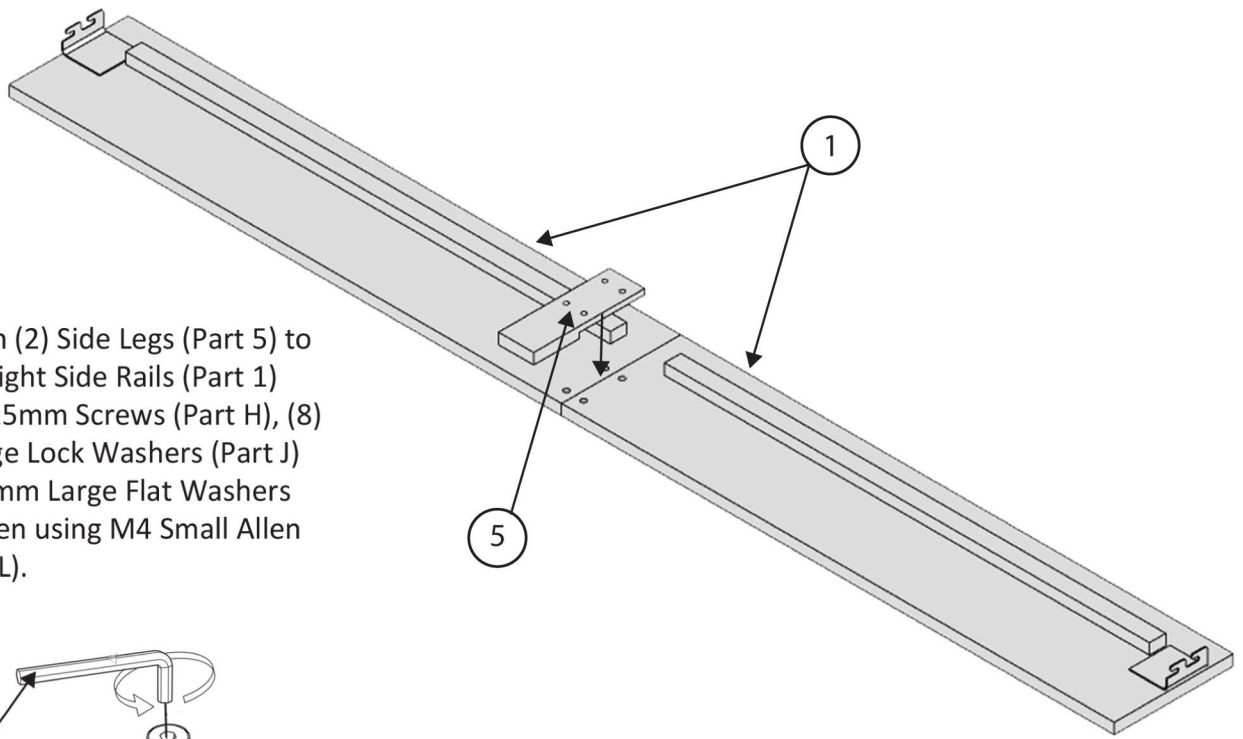
M6 x 70 mm Bolt

**Part N** 2pcs

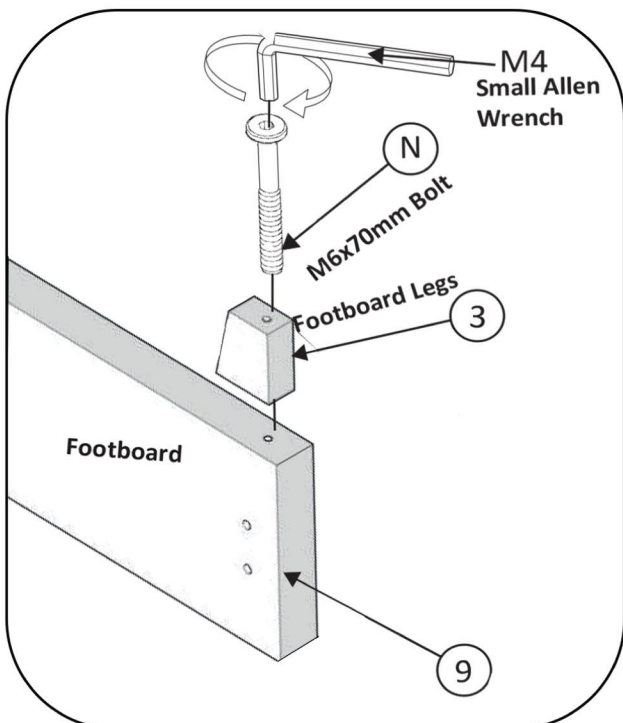
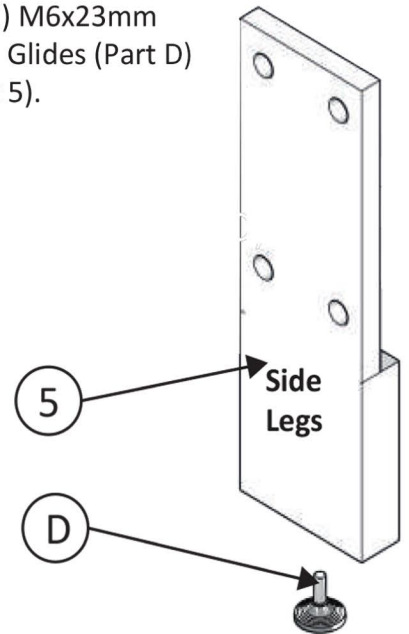




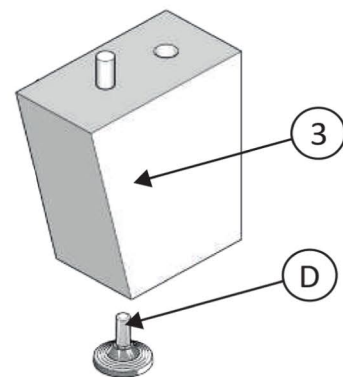
**Step 4:** Attach (2) Side Legs (Part 5) to the Left and Right Side Rails (Part 1) using (8) M6x25mm Screws (Part H), (8) M6x1mm Large Lock Washers (Part J) and (8) M6x1mm Large Flat Washers (Part K). Tighten using M4 Small Allen Wrench (Part L).



**Step 5:** Attach (2) M6x23mm Adjustable Height Glides (Part D) to Side Legs (Part 5).



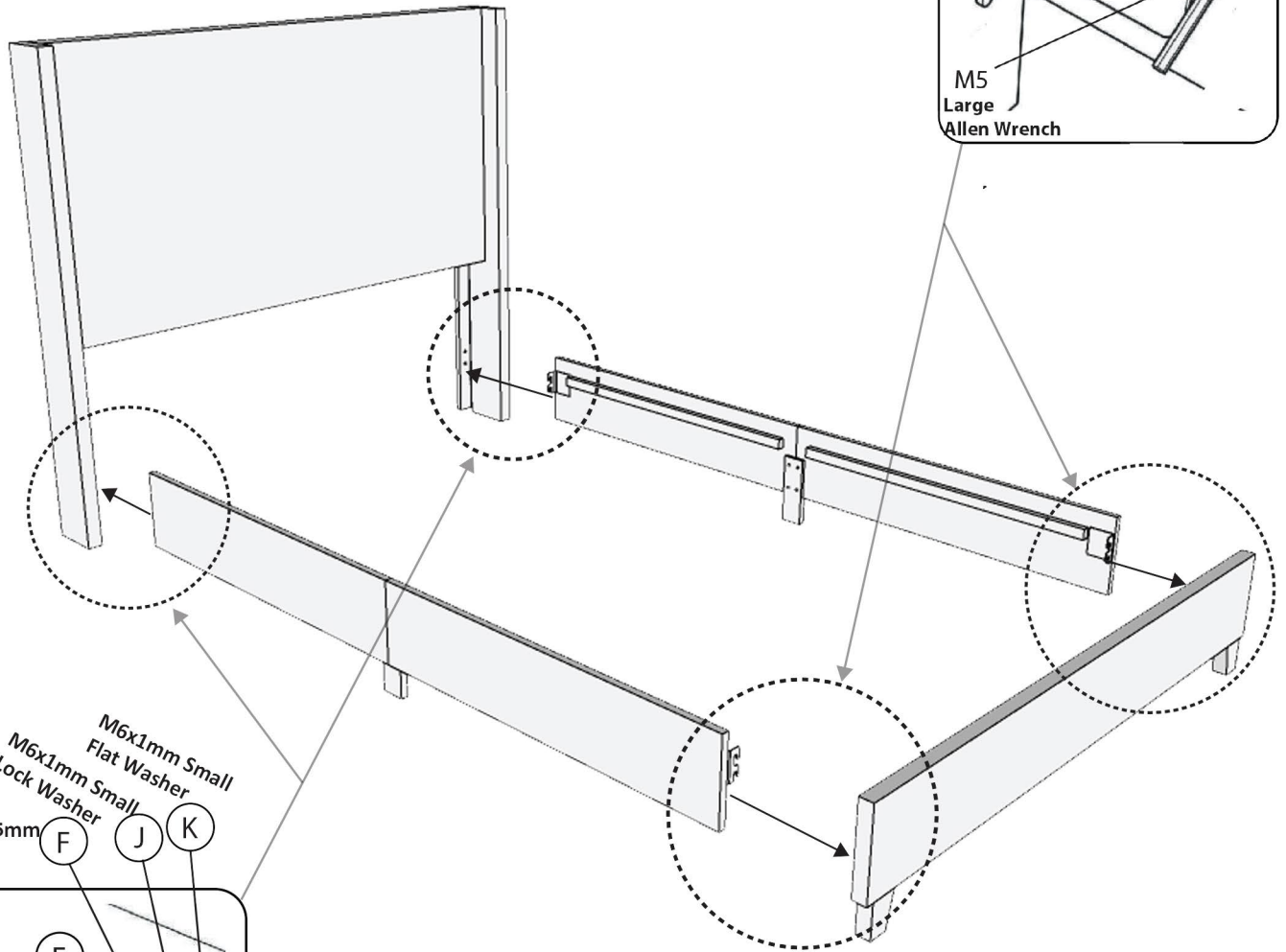
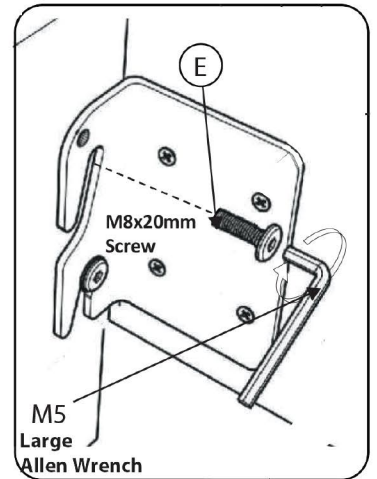
**Step 6:** Attach Footboard Legs (Part 3) to Footboard (Part 9) using (2) M6x70mm Bolts (Part N). Tighten using M4 Small Allen Wrench (Part L).



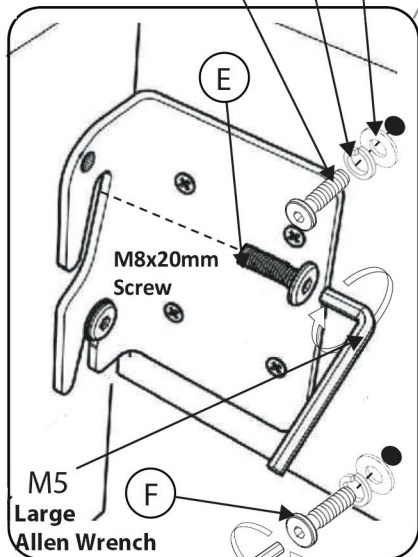
**Step 7:** Attach (2) M6x23mm Adjustable Height Glides (Part D) to Footboard Legs (Part 3).

**Step 8 :** Attach the Left and Right Side Rails (Part 1) to the Headboard Legs (Part 4) using (4) M8x20mm Screws (Part E). Tighten using M5 Large Allen Wrench (Part M).

**Step 9 :** Attach Left and Right side Rail to Foot board (Part 9) using (4) M8x20mm Screws (Part E). Tighten using M5 Large Allen Wrench (Part M)



M6x1mm Small Flat Washer  
M6x1mm Small Lock Washer  
M6x45mm Screw



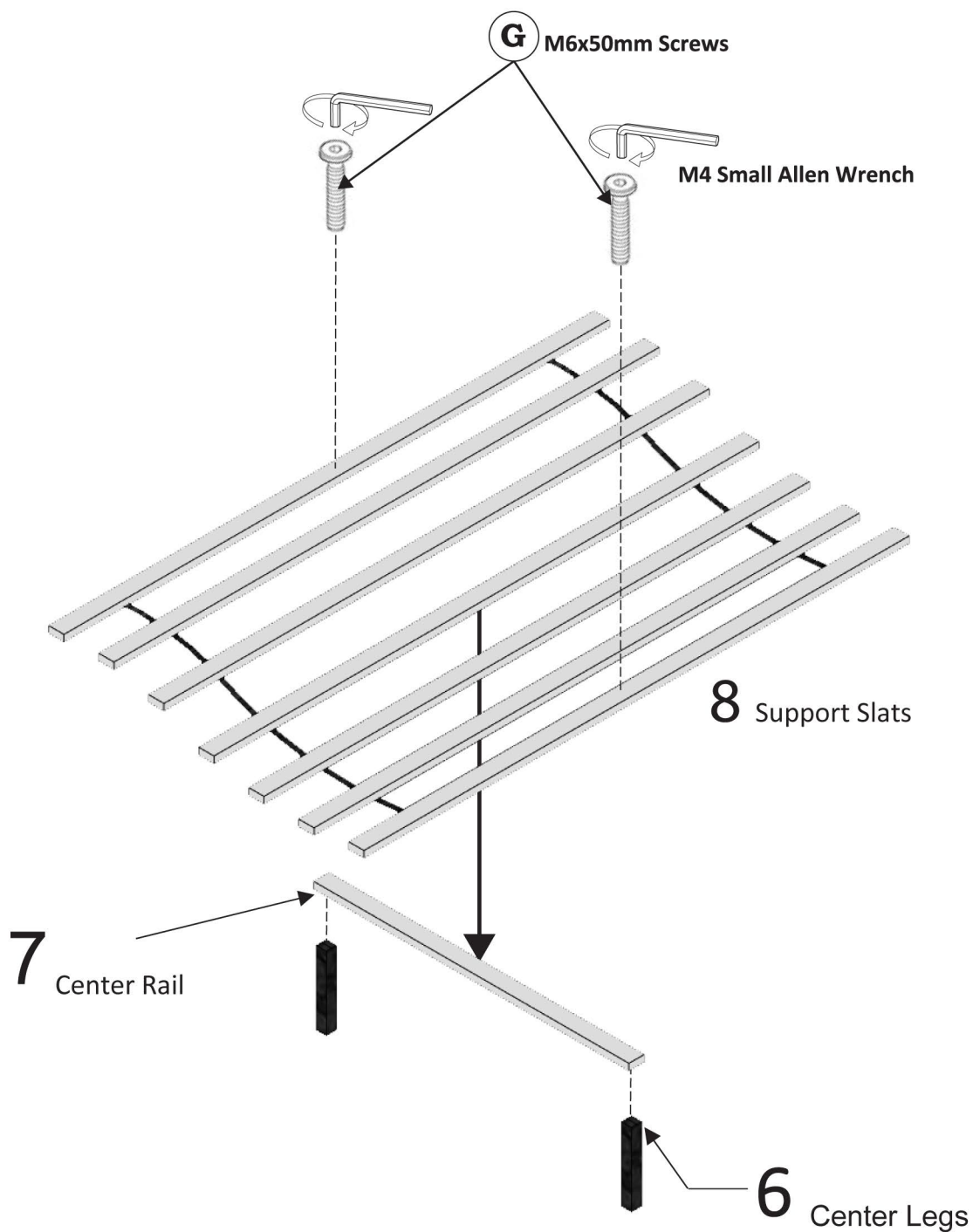
**Step 10 :** Attach Left and Right Side Rails to Headboard Wings using (4) M6x45mm Screws (Part F), (4) M6x1mm Small Lock Washers (Part J) and (4) M6x1mm Small Flat Washers (Part K). Tighten using M4 Small Allen Wrench (Part L).

M4

Small Allen Wrench

**Step 11:** Insert (4) M6x50mm Screws (Part G) through the Support Slats (Part 8) and the Center Rails (Part 7) and attach to the Center Legs (Part 6). Tighten using M4 Small Allen Wrench (Part L).

Note : Fabric steaps on the support slat will face the floor.



**Step 12 :** Attach (2) sets of Support Slats (Part 8) to the Left & Right Side Rails (Part 1) using (8) M30 Self-Tapping Screws (Part I). Tighten using a Phillips Screwdriver (Not Included).

