

Thank you for your purchase!



# Ergonomic Adjustable Computer Chair with Flip-Up Arms

## ASSEMBLY INSTRUCTIONS

### **Before You Begin:**

Please identify all component parts and hardware pieces required before you begin. Carefully remove all of the components from the packaging and set aside for assembly. Assemble on a soft surface to prevent scratching during assembly.

### **Caution:**

Tighten all components securely before use. Failure to do so may result in personal injury.

DO NOT use any sharp objects to open plastic wrapped components as damage to product or components may result.





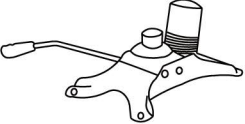

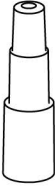

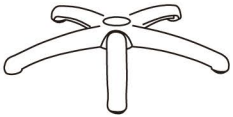


### **Warning:**

**CHOKING HAZARD** - Small Parts. Adult Assembly Required.




**DO NOT ALLOW CHILDREN TO CLIMB ON FURNITURE**



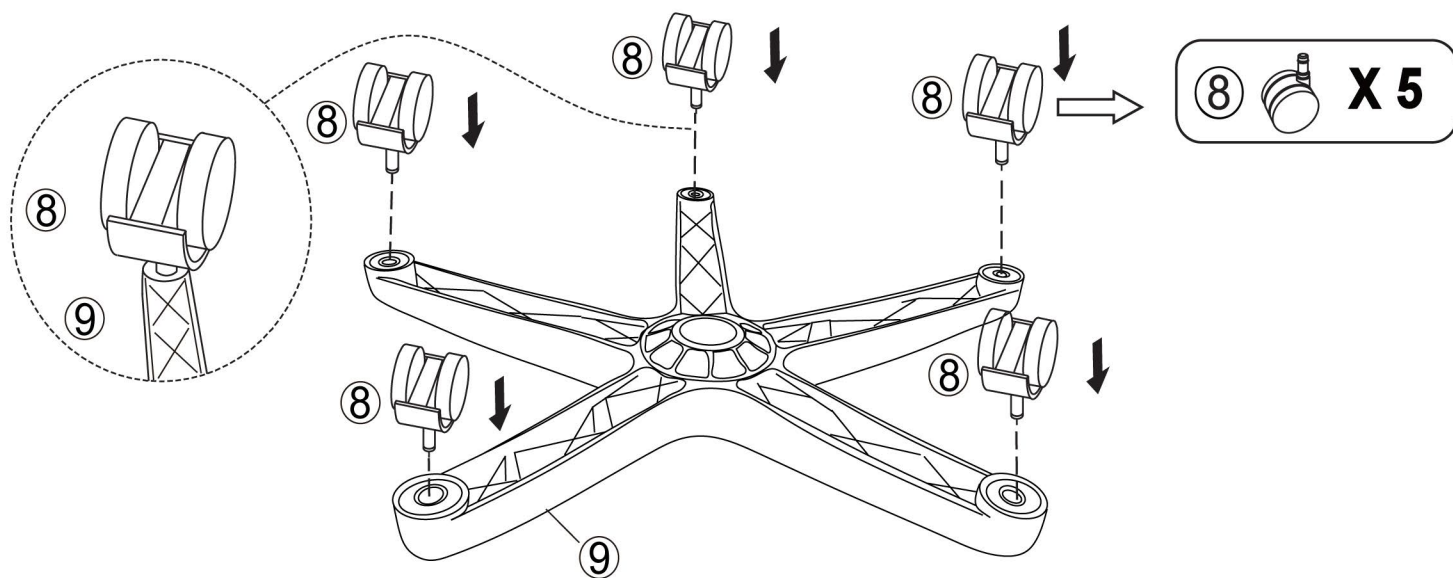
# PARTS

<p>① X1 Backrest</p> 	<p>② X1 Seat</p> 	<p>③ X1 Right Armrest</p> 	<p>④ X1 Left Armrest</p> 
<p>⑤ X1 Control Mechanism</p> 	<p>⑥ X1 Cylinder</p> 	<p>⑦ X1 Cylinder Cover</p> 	<p>⑧ X5 Casters</p> 
<p>⑨ X1 Base</p> 	<p>⑩ X2 Armrest Decorative Cover</p> 	<p>⑪ X2 Armrest Decorative Cover</p> 	

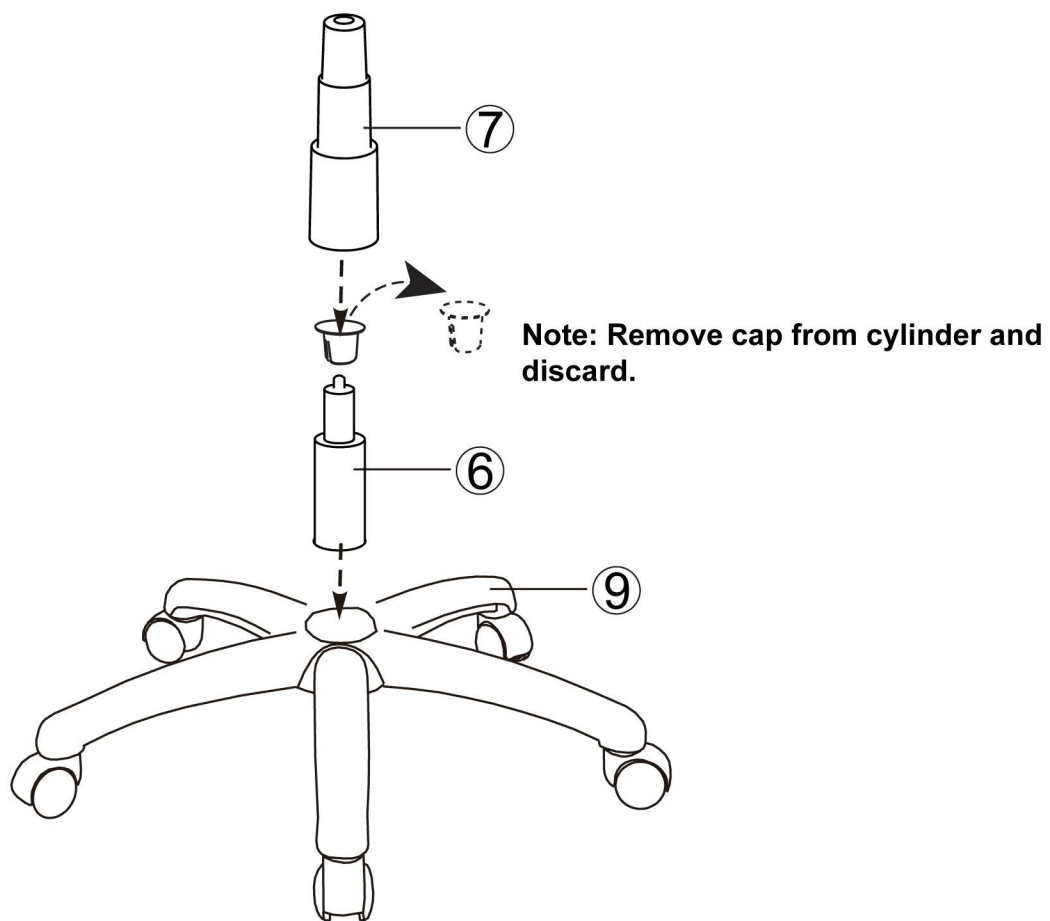
## Hardware

<p>A. M6*20mmX12</p>  <p>Bolt</p>	<p>B. X6</p>  <p>Bolt Covers</p>	<p>C. X1</p>  <p>Allen Wrench</p>
--	---	---

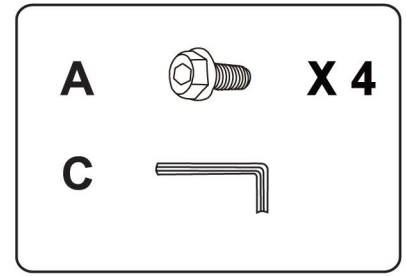
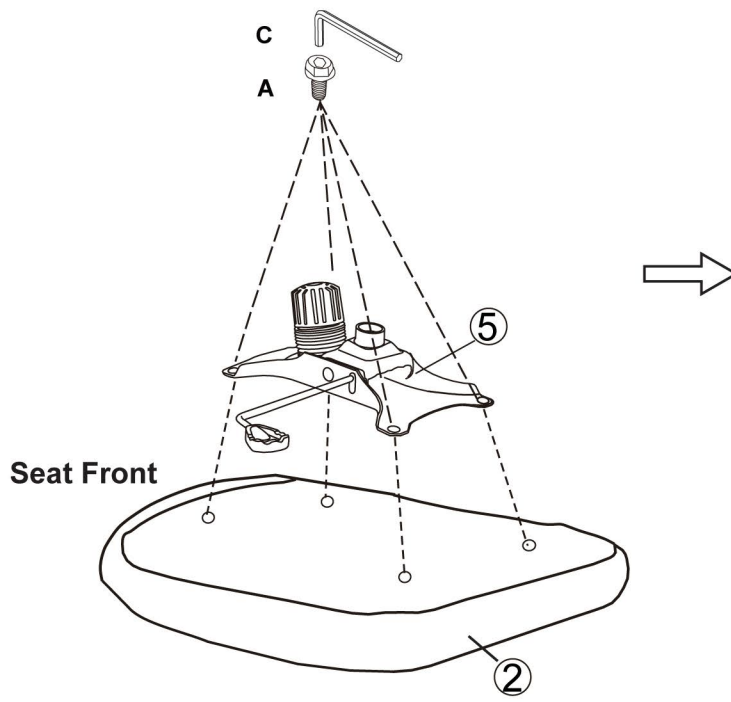
## STEP 1:



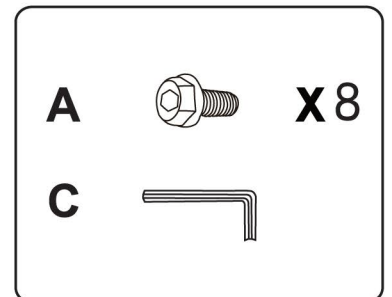
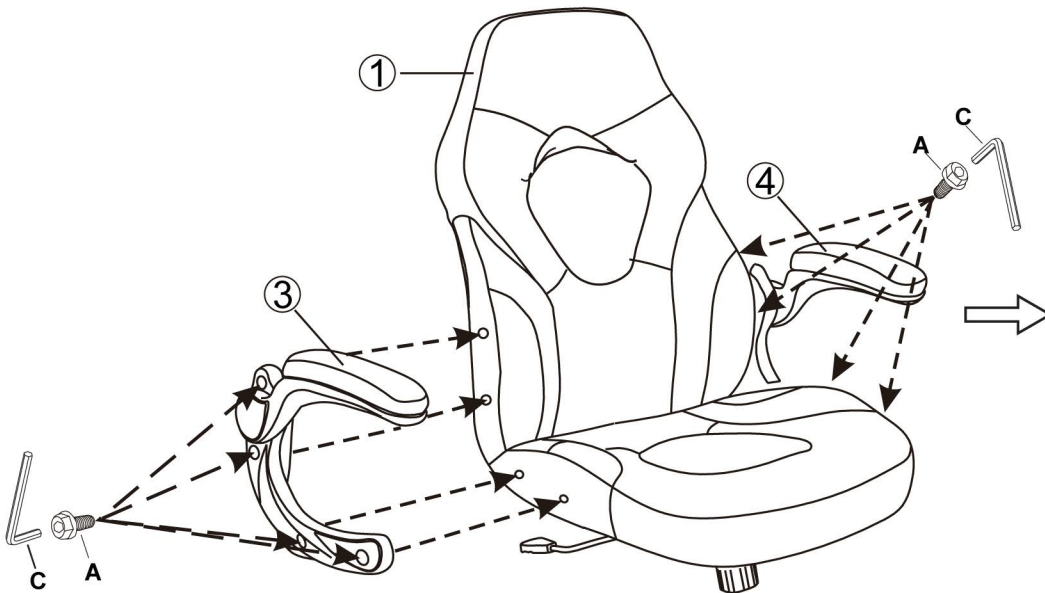
## STEP 2:



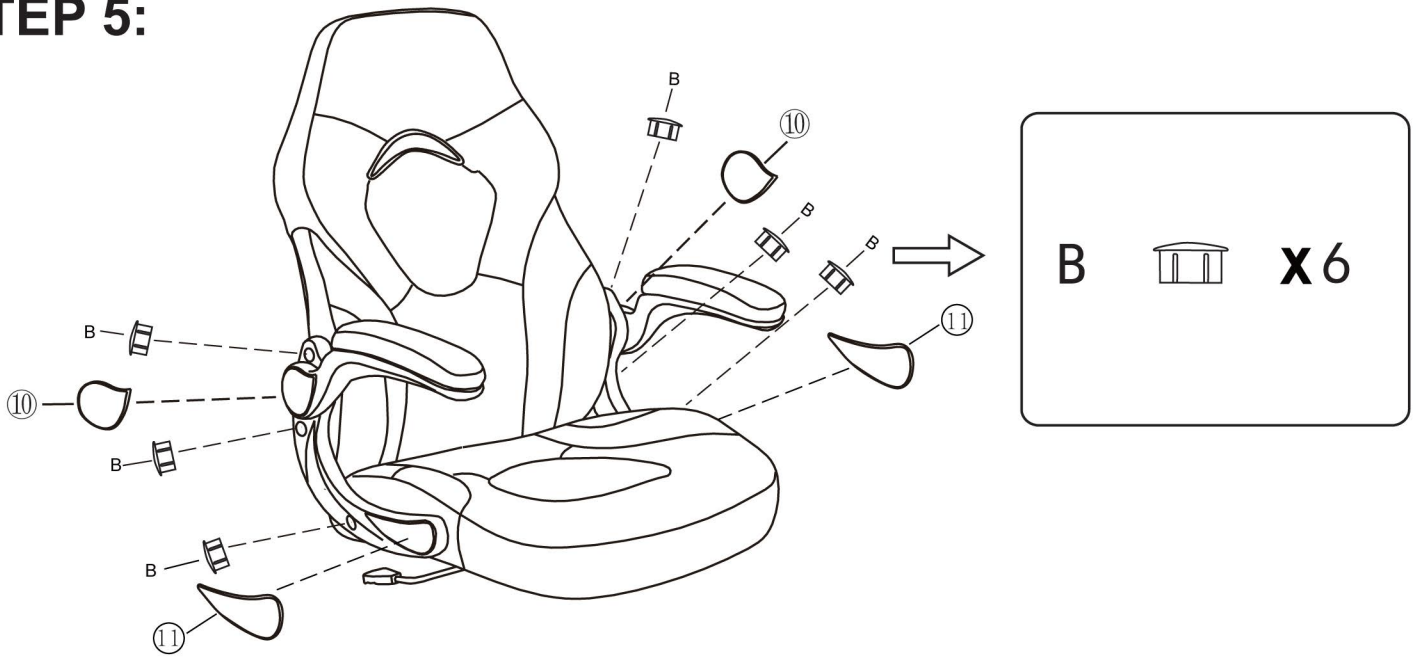
# STEP 3:



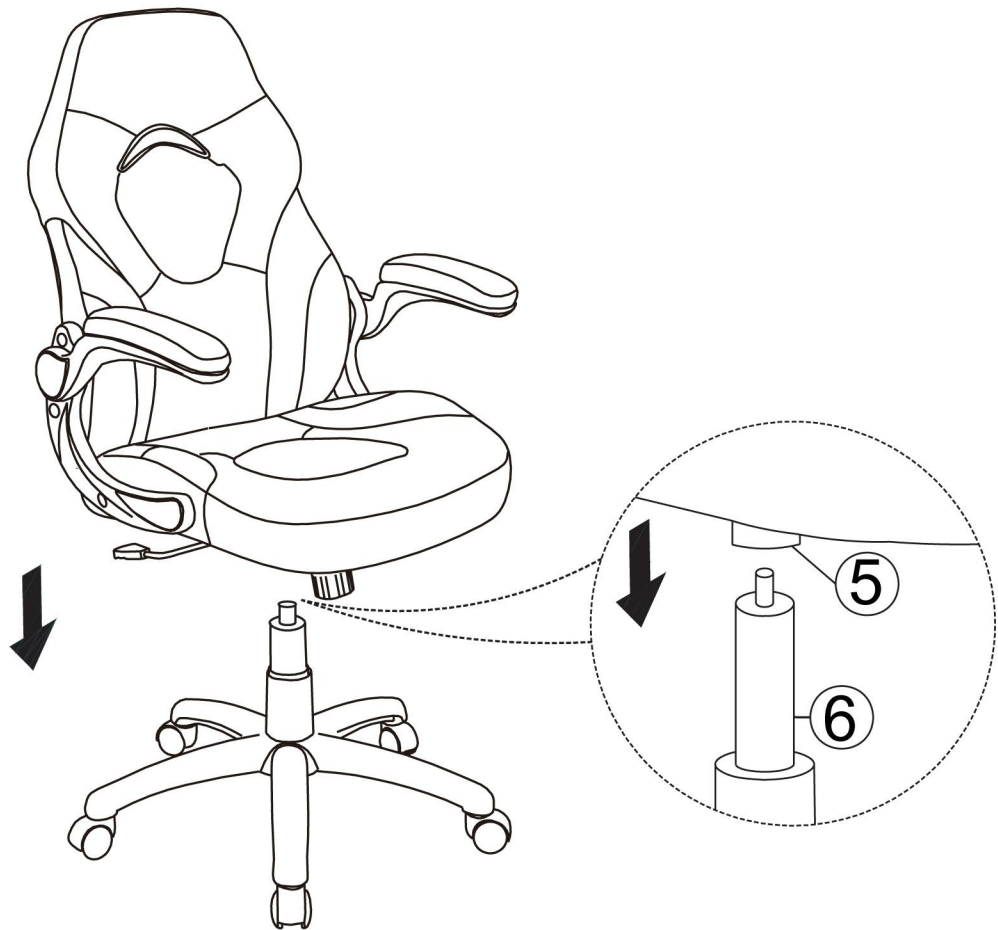
# STEP 4:



# STEP 5:



# STEP 6:



# Functionality



## \* Flip-Up Arms

- Push arms upward toward the backrest for vertical position then push downward toward seat to return to original position



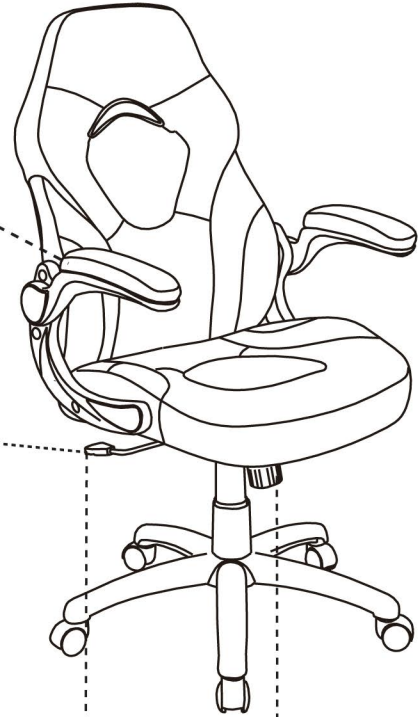
## \* Tilt Lock

- While seated, pull lever out to rock then push lever in to lock in the upright position



## \* Seat Height Adjustment

- To increase chair height pull lever upward while lifting body weight slightly off the seat.
- Release lever at desired height.
- To lower chair height sit fully into the chair and pull lever upward.
- Release lever at desired height.



## \* Adjustable Tilt Tension Control

- Turn continuously to adjust how quickly chair tilts back & forth.

**Note:** If adjusting while sitting in chair:  
Turn knob left to tighten tension.  
Turn knob right to loosen tension.



## QUALITY AND SAFETY GUIDELINES

- Please follow the static and dynamic weight capacity limits provided on this item.
- Please use this item on a stable, level surface only. All chair wheels/casters should contact the flooring surface when in use. Do not use this item if any instability is detected.
- Please take care to keep the chair stationary when lowering yourself into a seated position in this chair.
- This item is intended for sitting only, do not climb or stand on this item.
- This chair is not intended for significantly reclined positions. To prevent accidental tipping, do not use excessive force when pushing backward or leaning forward while seated.
- To prevent pinching or crushing injuries, ensure all areas are clear when rotating the chair and while adjusting the height of the chair.
- This item is intended for indoor use only.
- Store indoors away from moisture.
- Please periodically check all screws and tighten as necessary.