

TV STAND WITH DRAWERS

ASSEMBLY INSTRUCTIONS

Before You Begin:

Please identify all component parts and hardware pieces required before you begin. Carefully remove all of the components from the packaging and set aside for assembly. Assemble on a soft surface to prevent scratching during assembly.

Caution:

Tighten all components securely before use. Failure to do so may result in personal injury. DO NOT use any sharp objects to open plastic wrapped components as damage to product or components may result.

Warning:

CHOKING HAZARD - Small Parts. Adult Assembly Required.

DO NOT ALLOW CHILDREN TO CLIMB ON FURNITURE

Serious or fatal injuries can occur from furniture tipping over. You must install Tipping Restraint Hardware (where included) to help prevent the unit from tipping and causing accidental injury, instability, death or damage. The tipping restraint is intended only as a safety measure, it is not a substitute for proper adult supervision.

To help prevent furniture from tipping over it must be permanently attached to the wall. Anti-Tip Safety Wall Straps suitable for the unit weight and wall materials (if not included) should be purchased and installed.



Safety and Care Advice

Important – Please read these instructions fully before starting assembly

- Check you have all the components and tools listed on the following pages.
- Remove all fittings from the plastic bags and separate them into their groups.
- Keep children and animals away from the work area, small parts could choke if swallowed.
- Make sure you have enough space to layout the parts before starting.

- During assembly do not stand or put weight on the product, this could cause damage.
- Assemble the item as close to its final position (in the same room) as possible.
- Assemble on a soft level surface to avoid damaging the unit or your floor.
- Parts of the assembly will be easier with 2 people.



- To reduce the likelihood of damaging your product please ensure that your power drill is set on a low torque setting.

Care and maintenance

- Only clean using a damp cloth and mild detergent, do not use bleach or abrasive cleaners.
- From time to time check that there are no loose screws on this unit.
- This product should not be discarded with household waste. Take to your local authority waste disposal centre.

Handy Hints

- Assemble all parts and bolts loosely during assembly, only once the product is complete should you fully tighten the bolts
- Regularly check and ensure That all bolts and fittings are tightend properly.

WARNING

In order to help prevent overturning – please follow these instructions

To help prevent product toppling over please follow the below steps:-

Use the anti tip stap or wall fixing method provided (if applicable)
Do not allow children to climb or hang on the furniture
Do not open more than one drawer at a time
Do not place heavy items in the top drawers
Do not place heavy items on top of the furniture, unless the furniture has been designed for this purpose





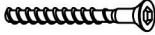
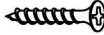

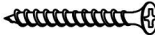







please note that only the anti tip strap is provided.

You will need to provide wall plugs and screws applicable for your wall type

Components

Please check you have all the panels listed below

Note: The quantities below are the correct amount to complete the assembly. In some cases more fittings may be supplied than are required.

A  Male Camlock x 18	B  Female Camlock x 18	C  Dowel x 18
D  Shelf Support Pin x 4	E  6*50mm Screw x 6	F  3.5*14mm Screw x 16
G  4*35mm Screw x 10	H  4*45mm Screw x 4	I  4*14mm Screw x 20
J  Plastic wedge x 12	K  Handle & Fixings x 2	L  Drawer slider 14" x 2
M  Allen Wrench x 1	N  Anti-Tip Hardware Pack x 2	O  H bar x 2

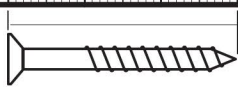


Tools required



Phillips screwdriver
(medium & large)

Ruler - Use this ruler to help correctly identify the screws



The screws length is measured from the head to the point (30mm screw shown).

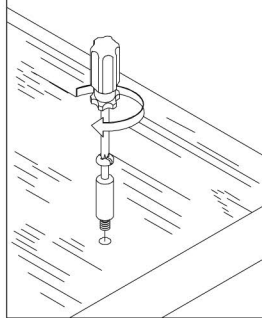
Using Camlocks

Step 1

Connect the male camlock as directed in the assembly instructions using a screwdriver.

1

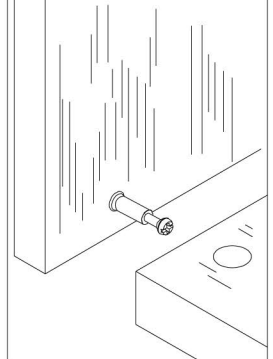
DO NOT OVER TIGHTEN.
NE PAS SERRER EXCESSIVEMENT.



Step 2

Push the male camlock into the entry hole.

2

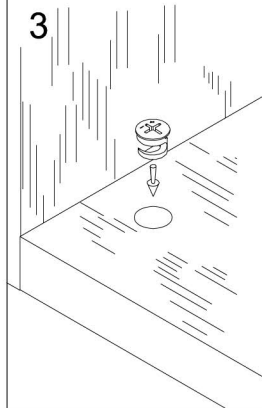


Step 3

Insert the female camlock as shown in the instruction.

Note: ensure that the arrow on the top of the camlock points towards the entry hole for the male camlock.

3



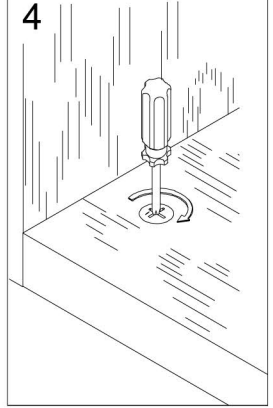
Step 4

Turn the female camlock clockwise with a screwdriver.

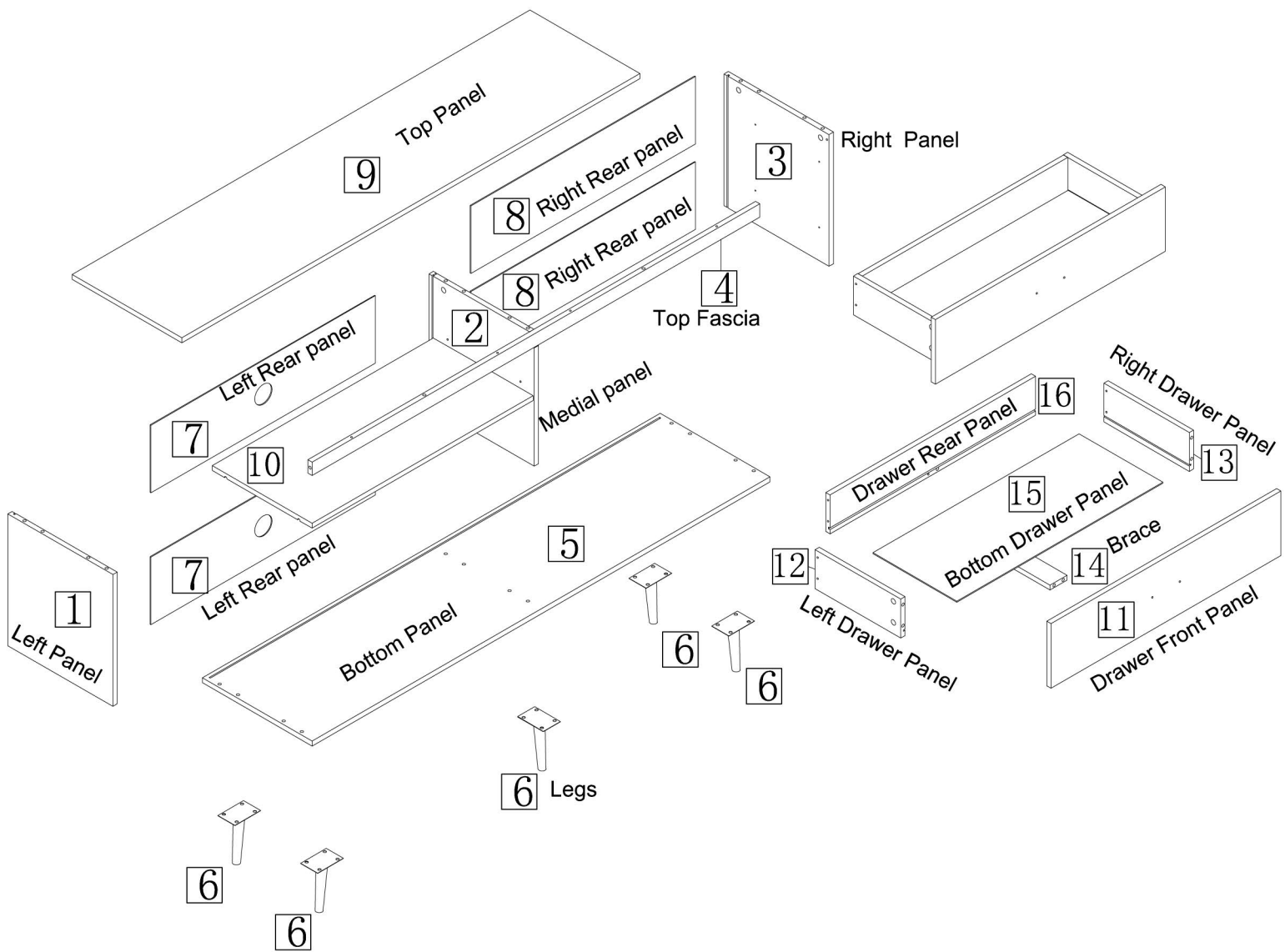
You should feel a click when the camlock is locked in place.

The joint is now secure.

4



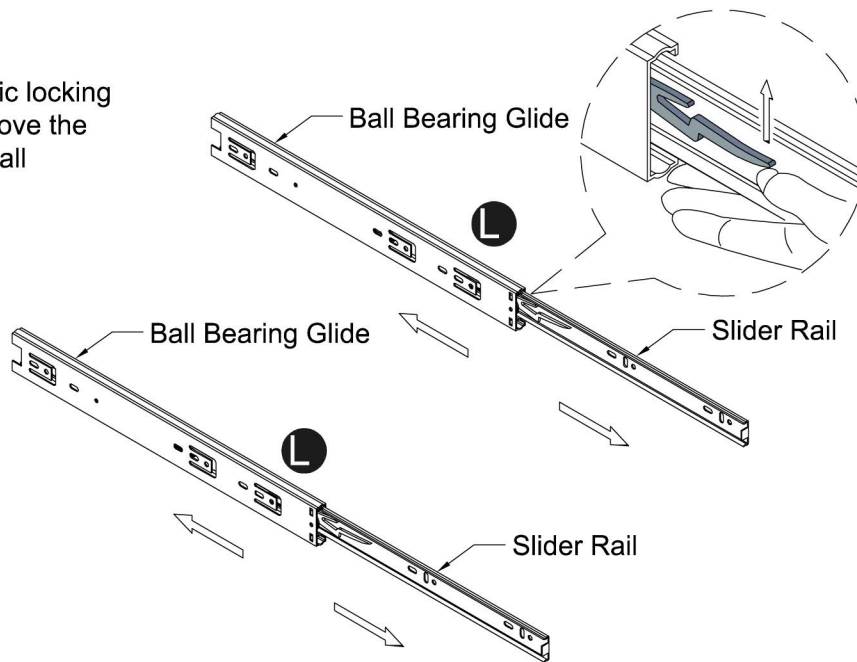
Assembly Instructions



Assembly Instructions

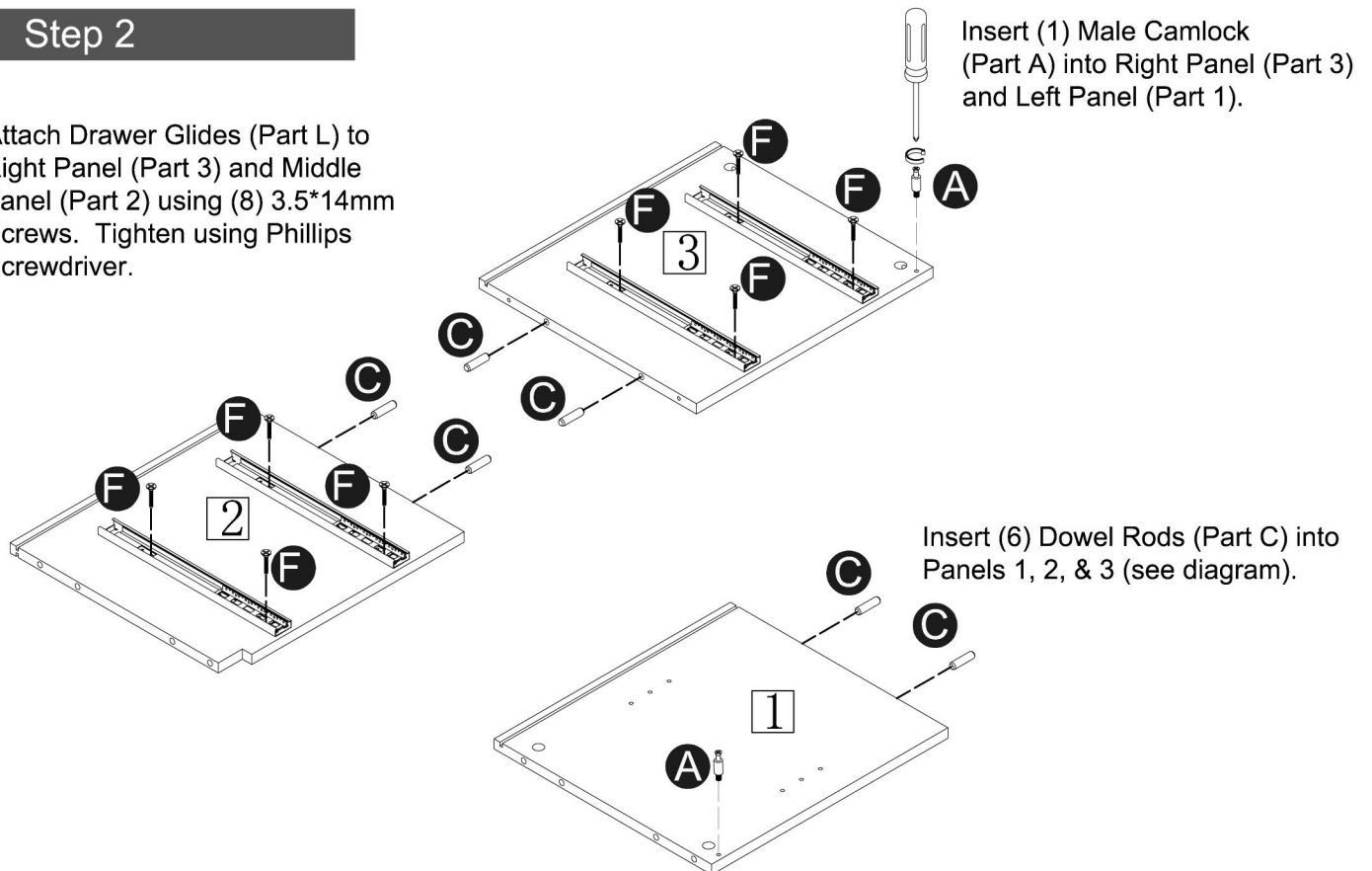
Step 1

Push up on the plastic locking mechanism and remove the Slide Rail from the Ball Bearing Glide.



Step 2

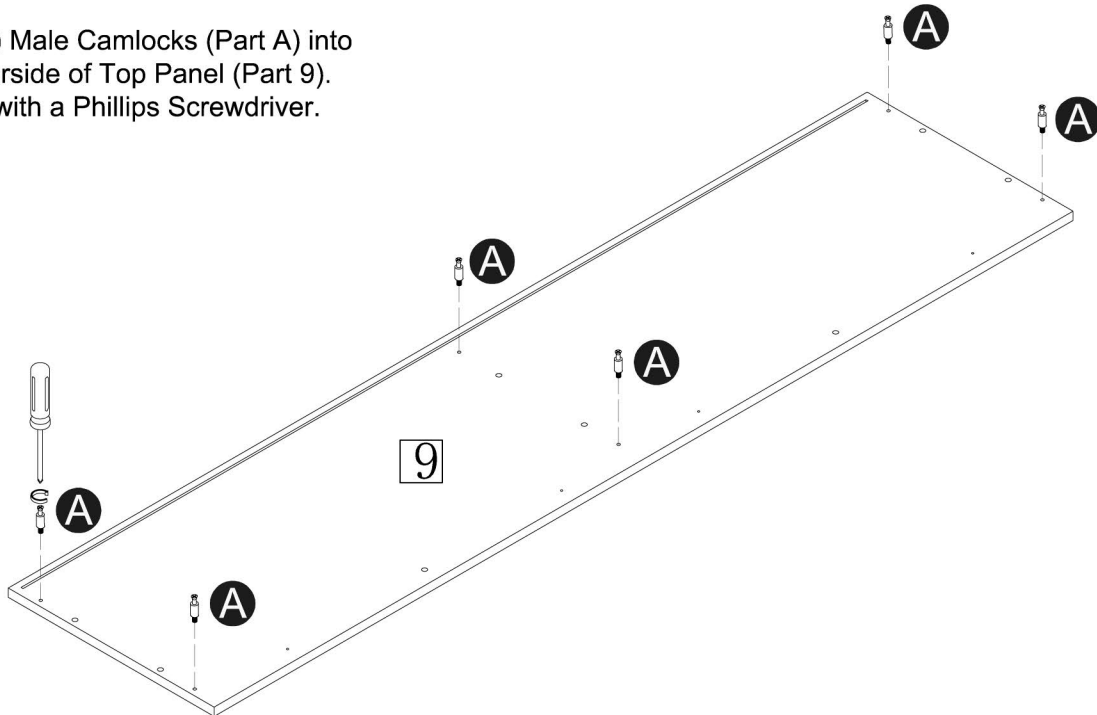
Attach Drawer Glides (Part L) to Right Panel (Part 3) and Middle Panel (Part 2) using (8) 3.5*14mm Screws. Tighten using Phillips Screwdriver.



Assembly Instructions

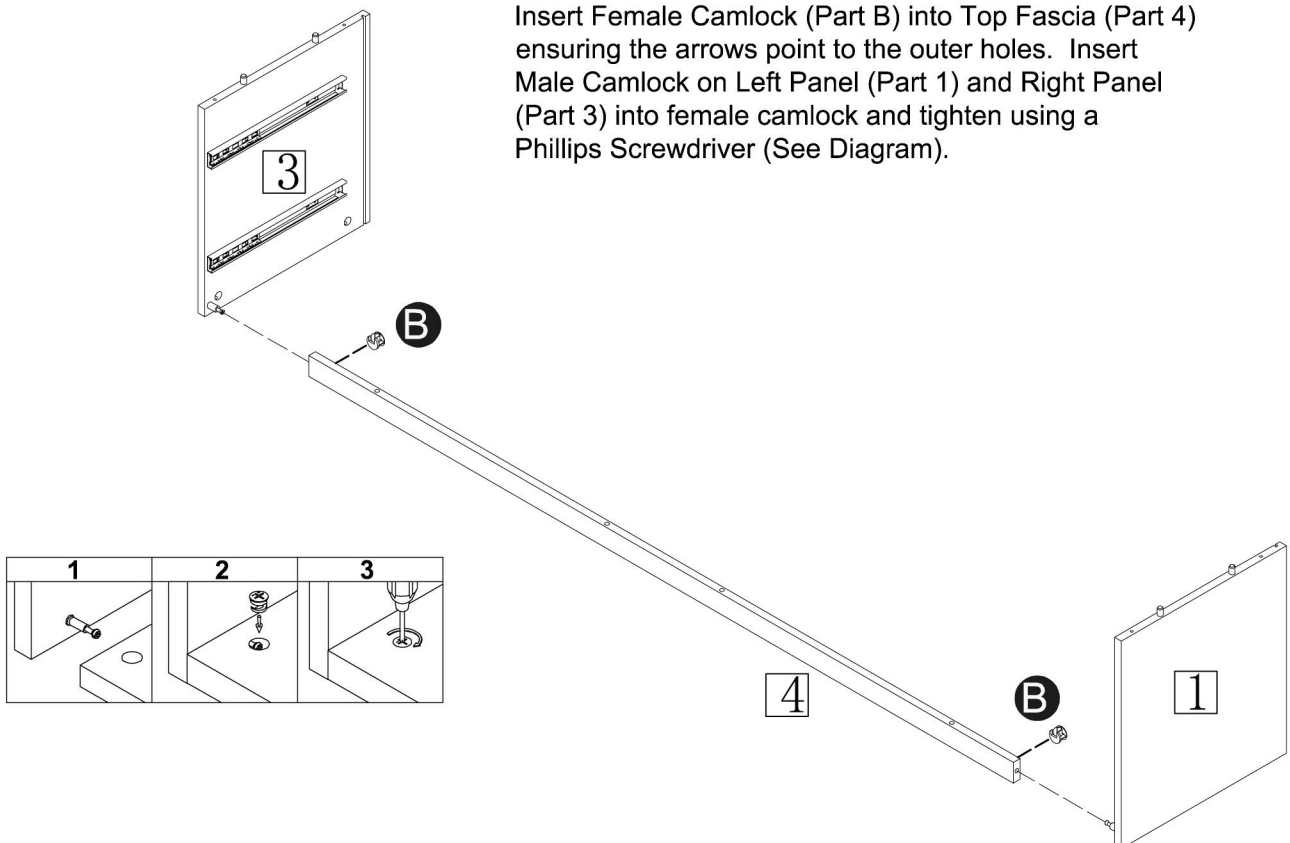
Step 3

Insert (6) Male Camlocks (Part A) into the underside of Top Panel (Part 9). Tighten with a Phillips Screwdriver.



Step 4

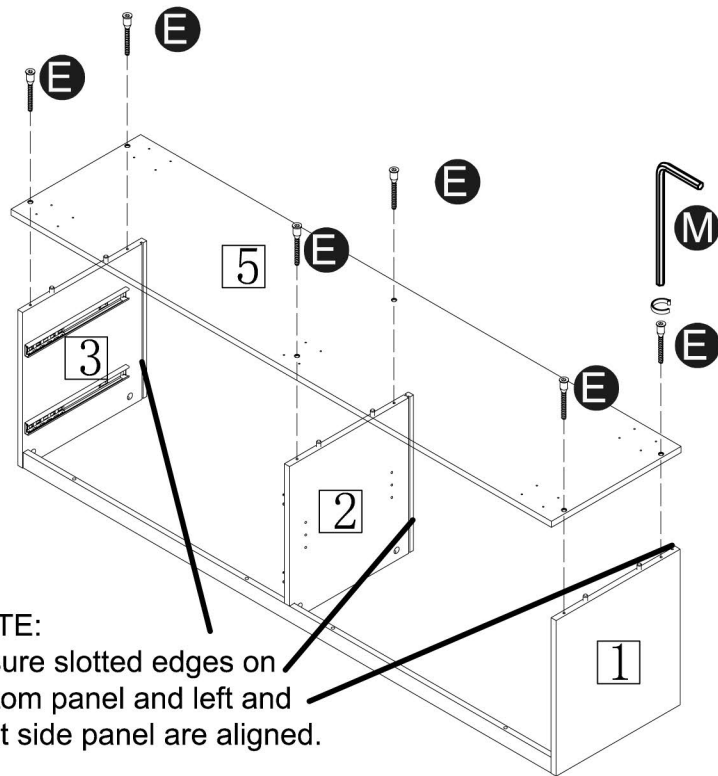
Insert Female Camlock (Part B) into Top Fascia (Part 4) ensuring the arrows point to the outer holes. Insert Male Camlock on Left Panel (Part 1) and Right Panel (Part 3) into female camlock and tighten using a Phillips Screwdriver (See Diagram).



Assembly Instructions

Step 5

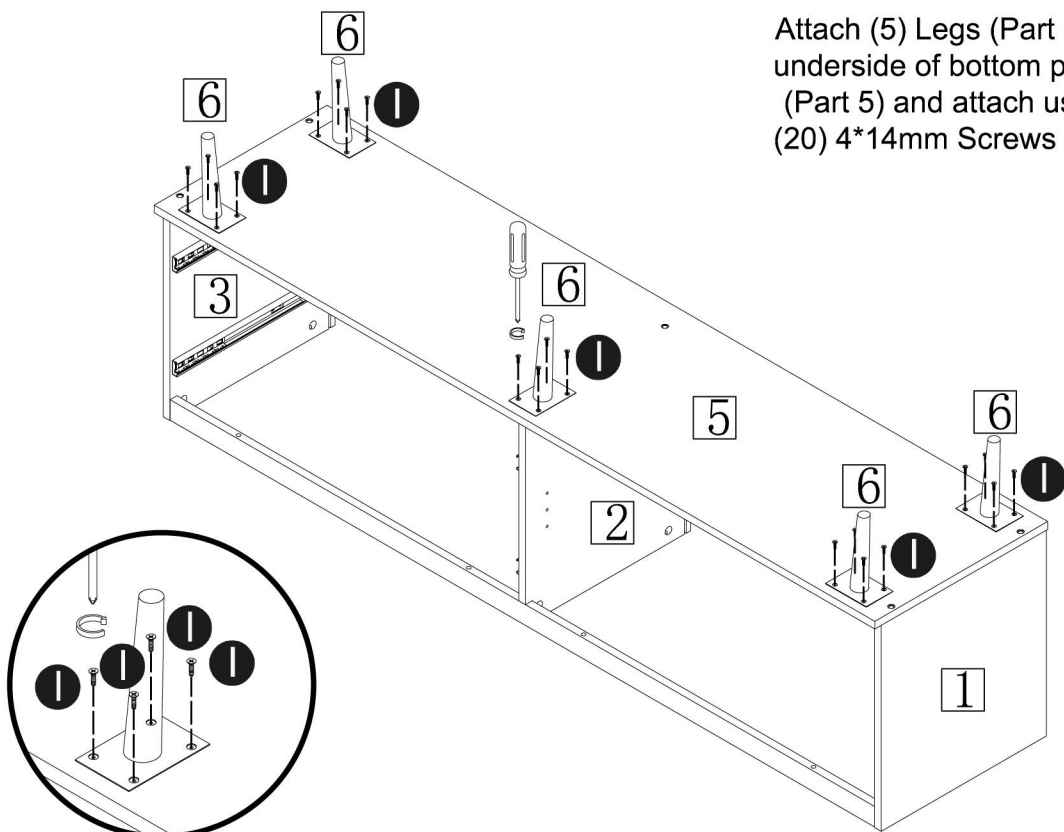
Add the notched corner of Middle Panel (Part 2) to the middle of the top fascia then place Bottom Panel (Part 5) onto panels 1, 2, & 3. Attach using (6) 6850mm Screws (Part E). Tighten using Allen Wrench (Part M)



NOTE:
Ensure slotted edges on bottom panel and left and right side panel are aligned.

Step 6

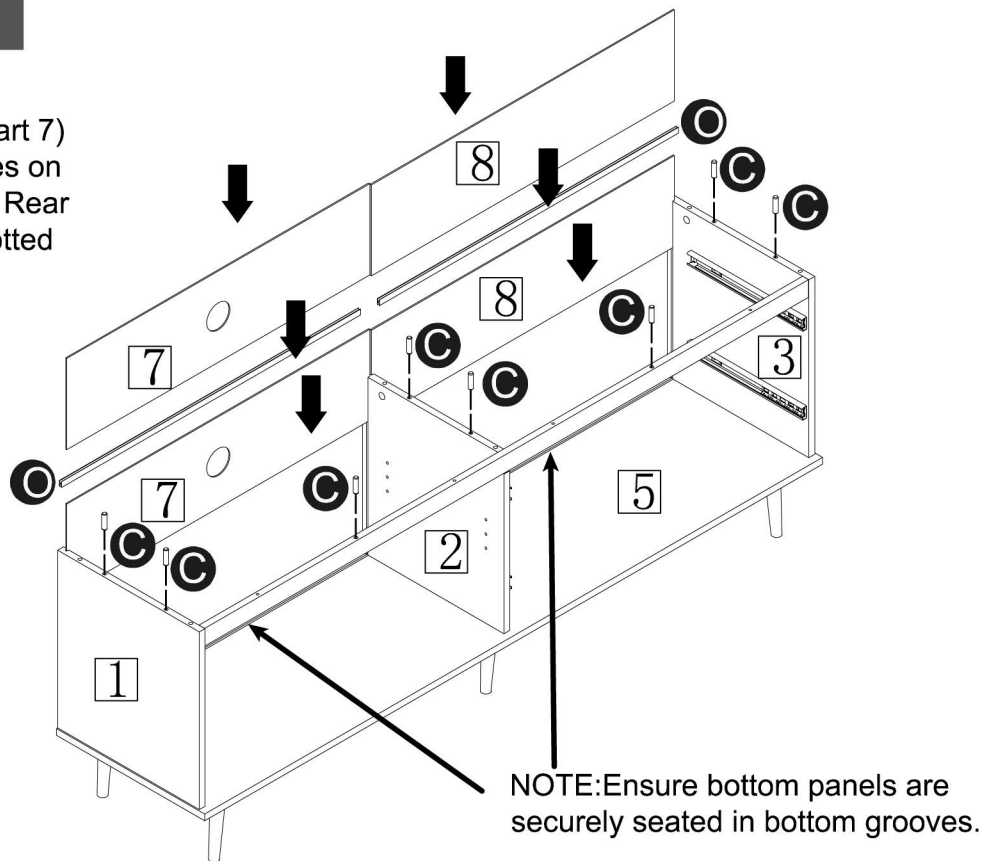
Attach (5) Legs (Part 6) to underside of bottom panel (Part 5) and attach using (20) 4*14mm Screws (Part I)



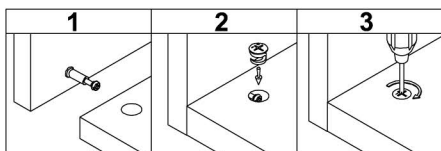
Assembly Instructions

Step 7

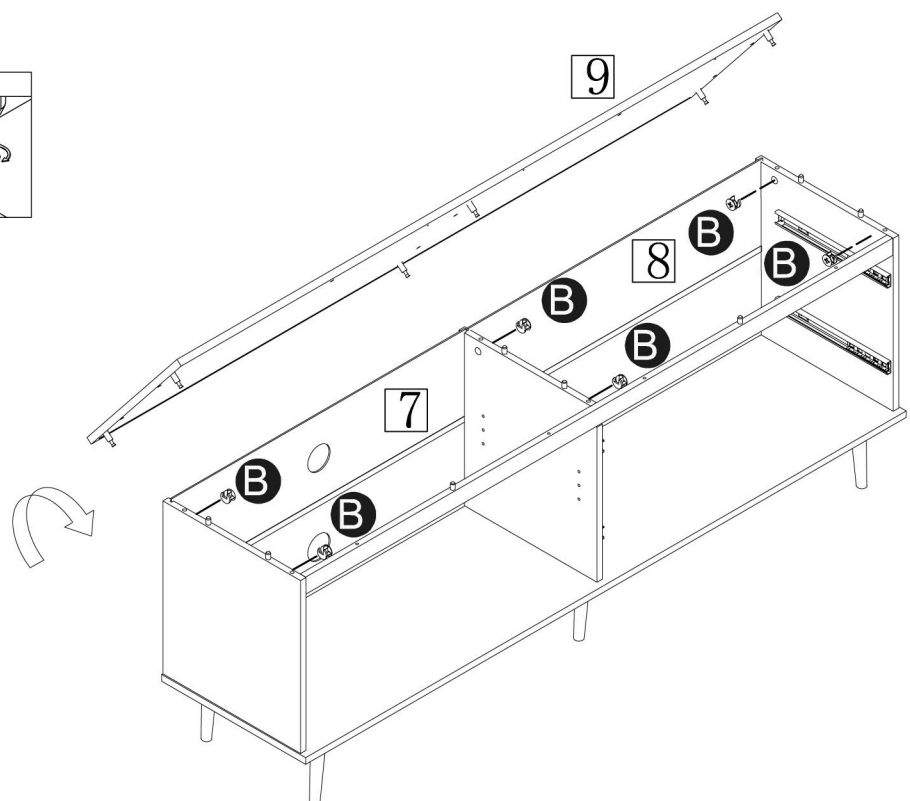
Insert Left Rear Panels (Part 7) and into the slotted grooves on panels 1 & 2. Insert Right Rear Panels (Part 8) into the slotted grooves on panels 3 & 2.



Step 8

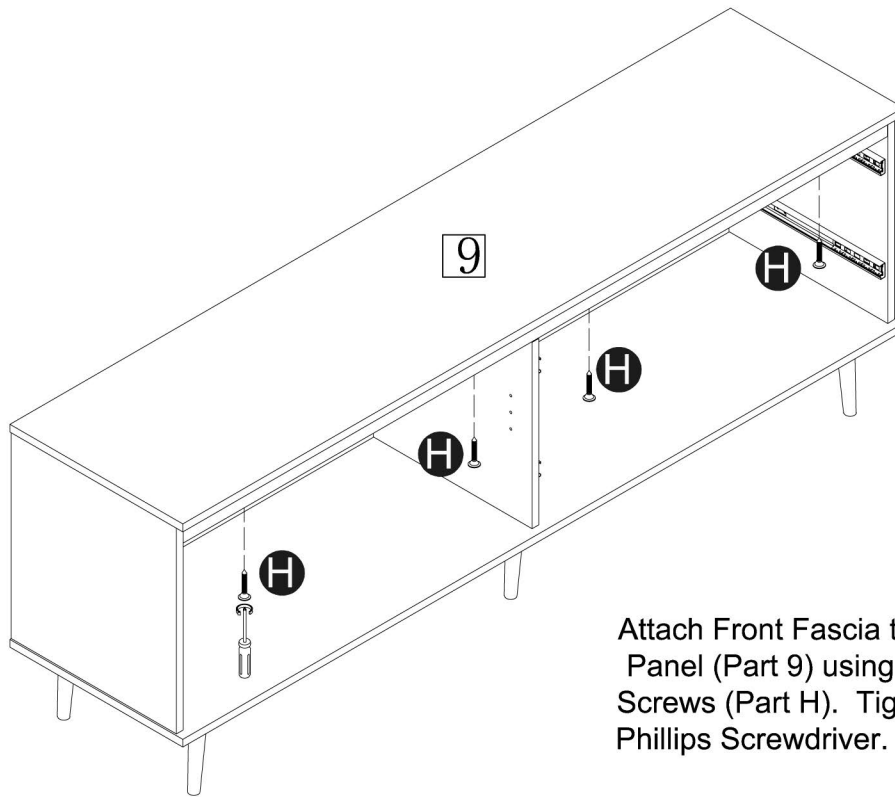


Insert Female Camlocks (Part B) in the top holes of panels 1, 2, & 3 ensuring that the arrows are facing the outer holes. Insert Male Camlocks on the underside of the Top Panel (Part 9) into the female camlocks and tighten using a Phillips Screwdriver.



Assembly Instructions

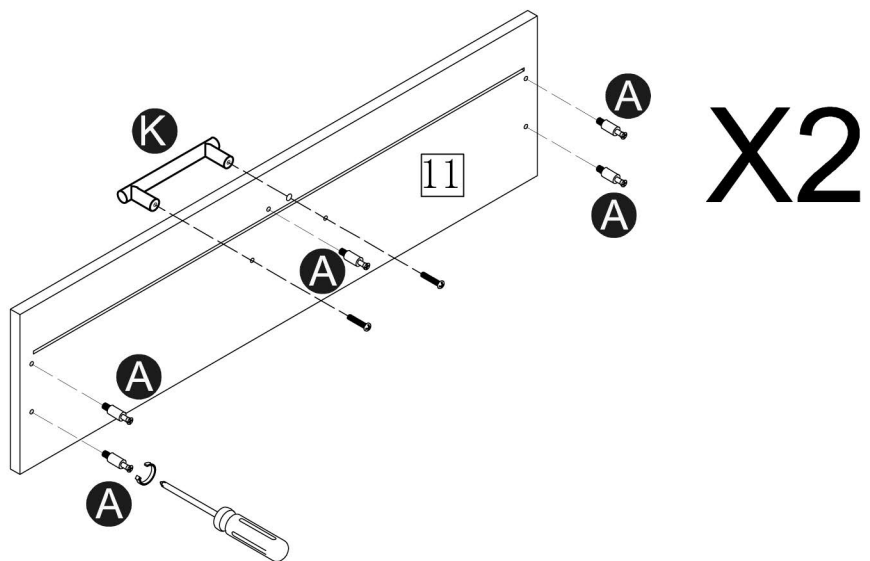
Step 9



Attach Front Fascia to the Top Panel (Part 9) using (4) 4*45mm Screws (Part H). Tighten with a Phillips Screwdriver.

Step 10

Using the Handle and Screw Sets (Part K) attach handles to both Drawer Front Panels (Part 11) using included screws. Tighten with a Phillips Screwdriver.

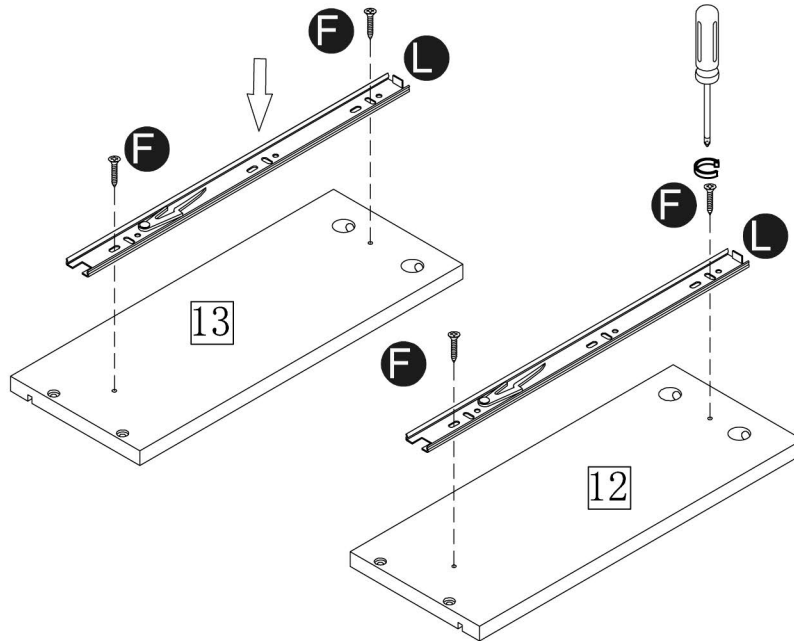


Insert (5) Male Camlocks (Part A) into the pre-drilled holes inside the Drawer Front Panel (Part 11). Repeat for second drawer.

Assembly Instructions

Step 11

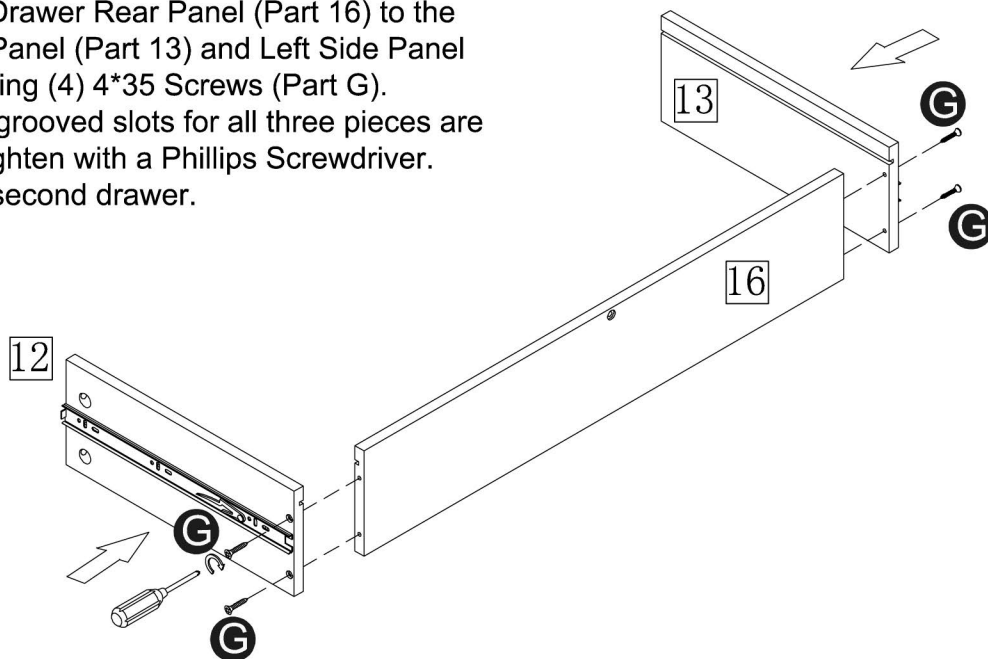
Attach Slide Rails (Part L) to the Right Drawer Panel (Part 13) and Left Drawer Panel (Part 12) using (4) 3.5x14mm Screws (Part F). Tighten using a Phillips Screwdriver.



X2

Step 12

Attach the Drawer Rear Panel (Part 16) to the Right Side Panel (Part 13) and Left Side Panel (Part 12) using (4) 4*35 Screws (Part G). Ensure the grooved slots for all three pieces are aligned. Tighten with a Phillips Screwdriver. Repeat for second drawer.

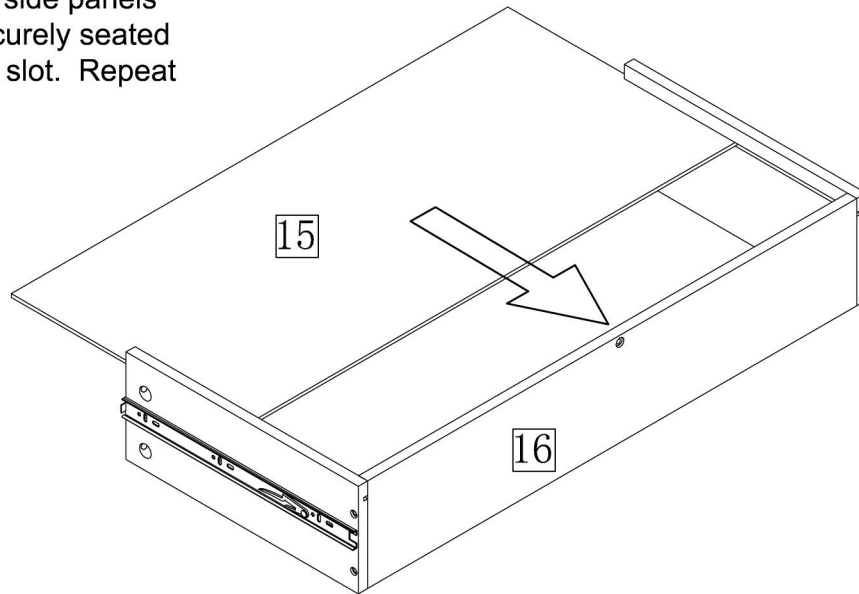


X2

Assembly Instructions

Step 13

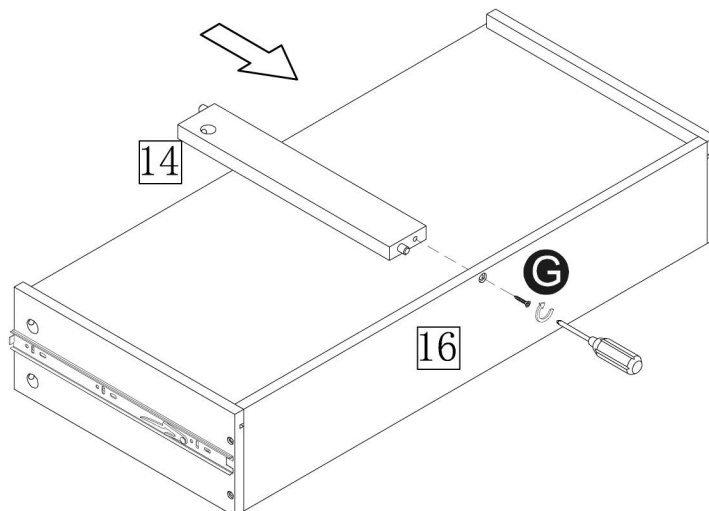
Slide Drawer Bottom Panel (Part 15) into the grooved slots of the left and right side panels and ensure it is securely seated in the rear grooved slot. Repeat for second drawer.



X2

Step 14

Attach Brace (Part 14) to the Drawer Back Panel (Part 16) using (1) 4*35mm Screw (Part G). Tighten with a Phillips Screwdriver. Repeat for second drawer.

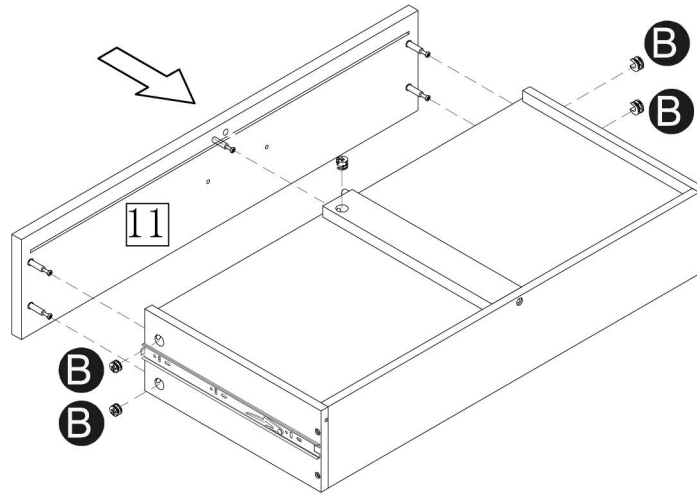
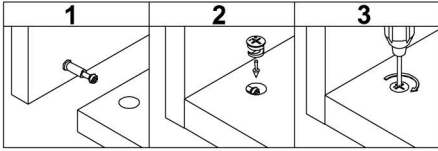


X2

Assembly Instructions

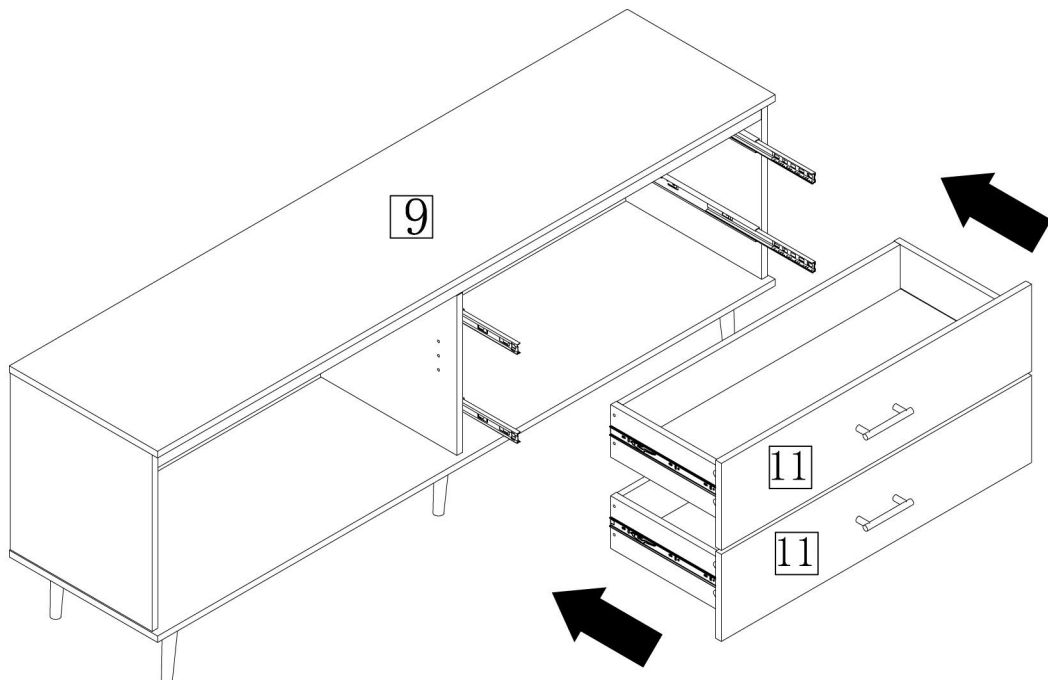
Step 15

Attach the Drawer Front Panel (Part 11) to the assembled frame



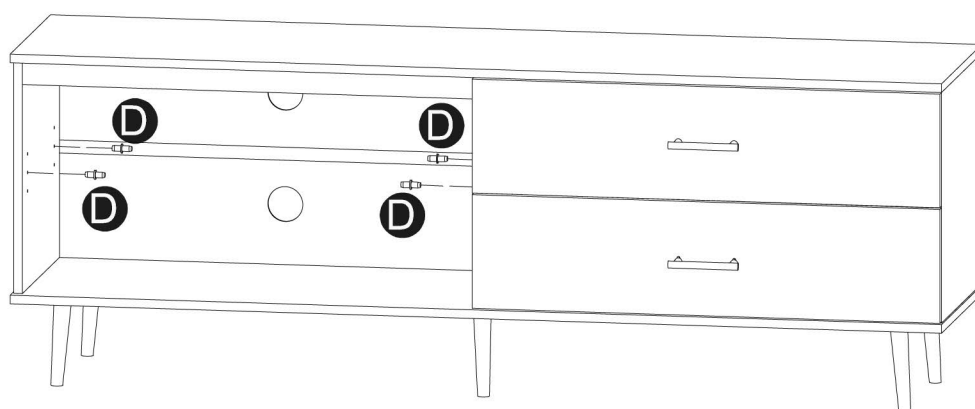
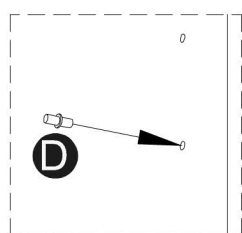
X2

Step 16

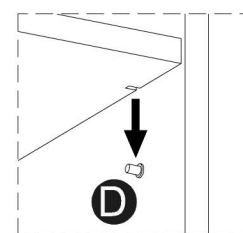
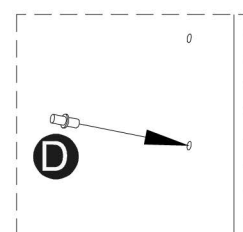
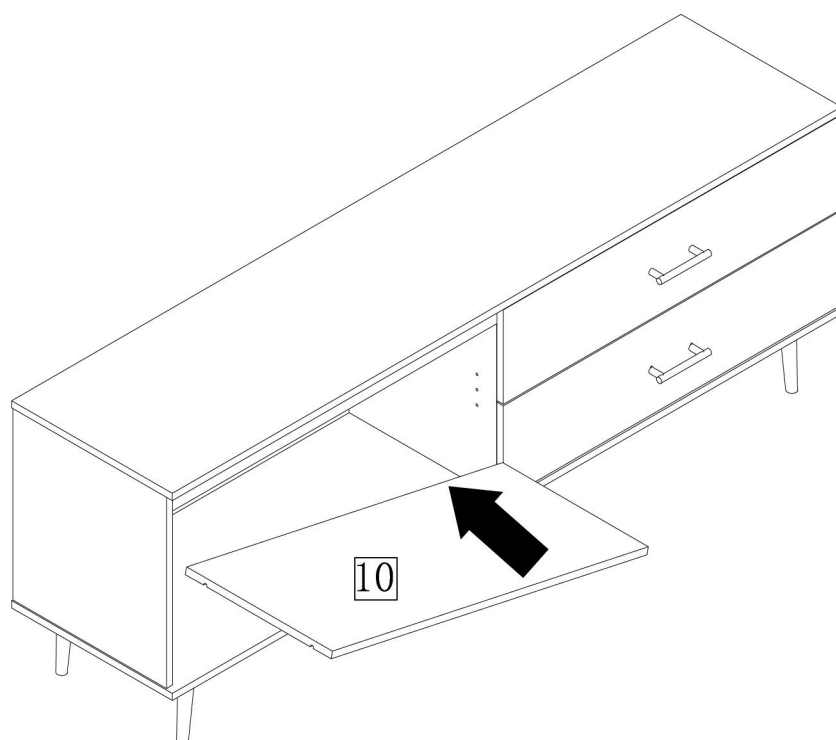


Assembly Instructions

Step 17

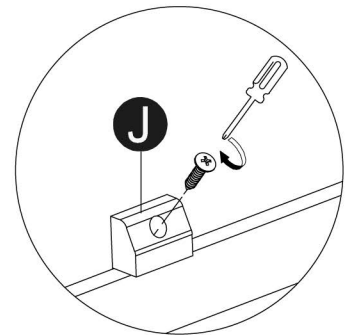
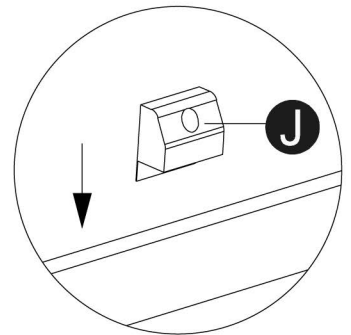
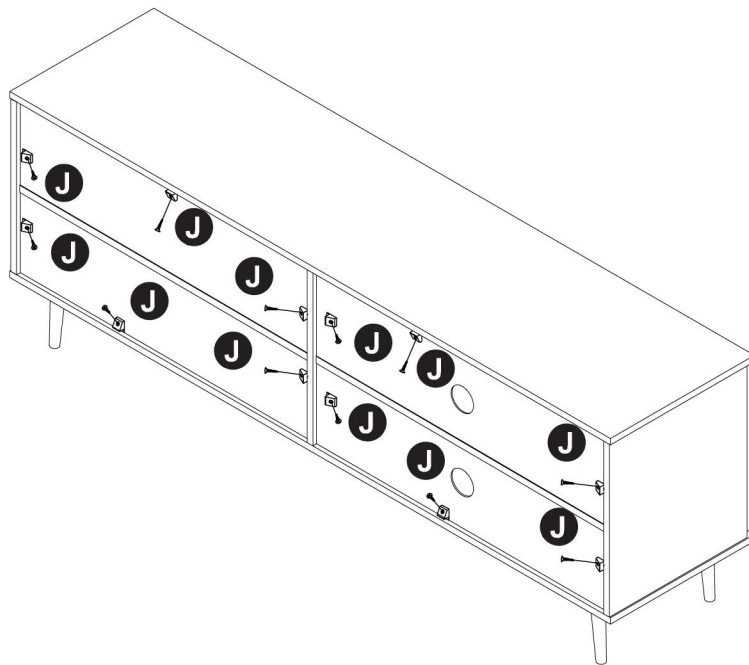


Step 18



Assembly Instructions

Step 19



Step 20

The unit is floor standing, but it is recommended that the unit is secured to the wall.

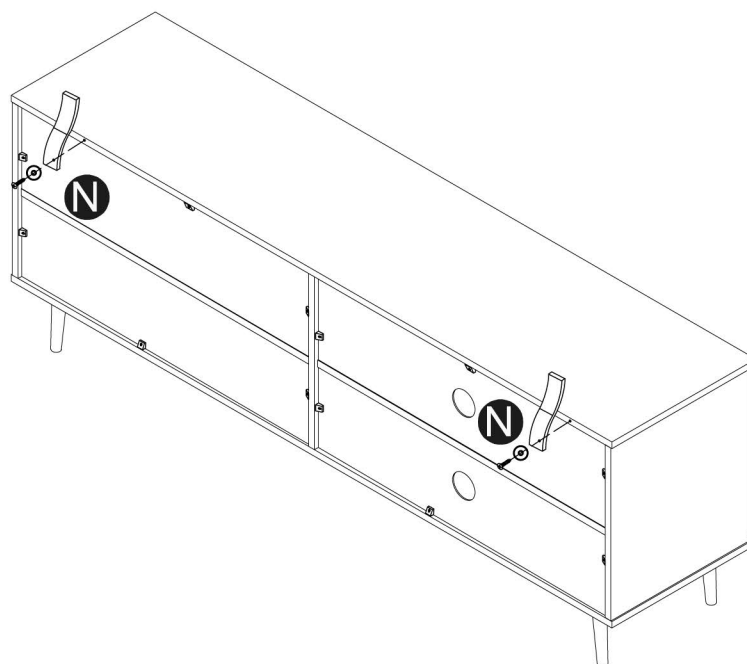
1. Move the unit into desired position.
2. Mark the wall with a suitable scribe the position of the fixing holes.



Warning:
Before drilling, check wall for hidden pipes and cables.

3. Drill holes and insert 2 x wall plug
4. Attach 2 x Wall Straps to to the top of the unit using 2 x Washers and 2 x Screws
5. Secure the straps to the wall using 2 x Washers and 2 x Screws

Note: To hide the straps behind the unit, drill the holes lower than the top of the unit



Assembly Instructions

Step 21

The unit is floor standing, but it is recommended that the unit is secured to the wall.

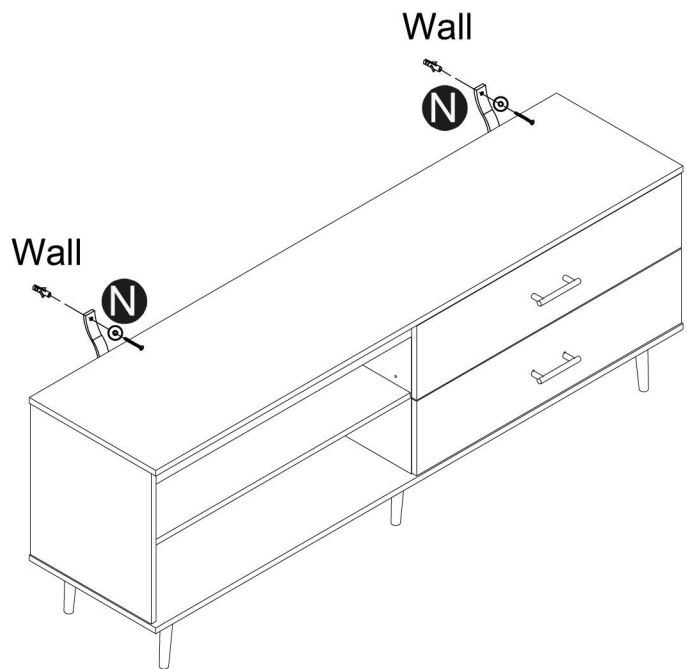
1. Move the unit into desired position.
2. Mark the wall with a suitable scribe the position of the fixing holes.



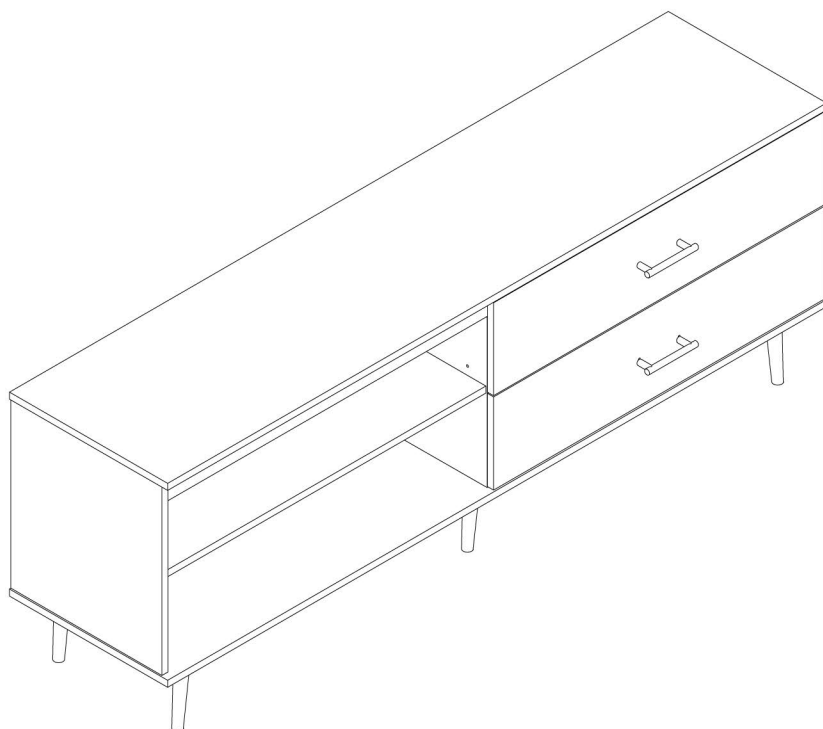
Warning:
Before drilling, check wall for hidden pipes and cables.

3. Drill holes and insert 2 x wall plug
4. Attach 2 x Wall Straps to the top of the unit using 2 x Washers and 2 x Screws
5. Secure the straps to the wall using 2 x Washers and 2 x Screws

Note: To hide the straps behind the unit, drill the holes lower than the top of the unit



Step 22



Assembly is complete.

A Guide to Wall Mounting & Fixings

Important note:

If plastic wall plugs (rawl plugs) are supplied with your product, e.g.:



- these are only suitable for use in masonry walls.

If you are in any doubt about the correct wall plugs for your wall, seek professional advice.


Failure of the product due to using the incorrect fixings is the responsibility of the installer.



Important: when drilling into walls always check that there are no hidden wires or pipes etc.

Make sure that the screws and wall plugs being used are suitable for **supporting your unit**. **Consult a qualified tradesperson if you are unsure.**

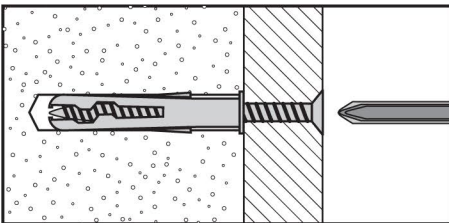
Hints:

- 1: General rule:  always use a larger screw and wall plug if you are not sure.
- 2: Ensure you use the recommended drill bit to match the wall plug and hole size.
- 3: Ensure you drill the hole horizontally; do not force the drill or enlarge the hole.
- 4: Take extra care when drilling high walls, ceilings and ceramic tiles. Ensure wall plugs are inserted beyond the thickness of the ceramic tiles to avoid the tiles splitting or cracking.
- 5: Ensure wall plugs are well fitted and are a tight fit in the drilled hole.

Types of walls

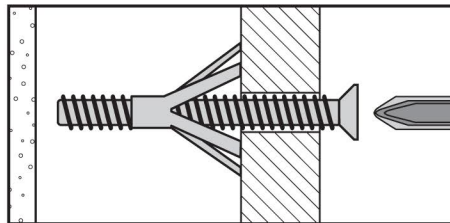
You can use one of the following types of wall plug if your walls are made of brick, breeze block, concrete, stone or wood.

No.1 "General Purpose" wall plug



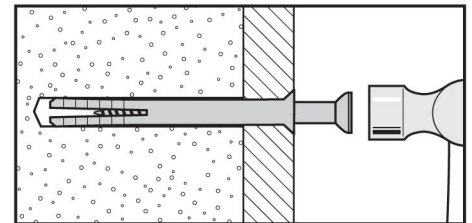
Generally aerated blocks should not be used to support heavy loads, use a specialist fitting in this case. For light loads, general purpose wall plugs can be used.

No.3 "Cavity Fixing" wall plug



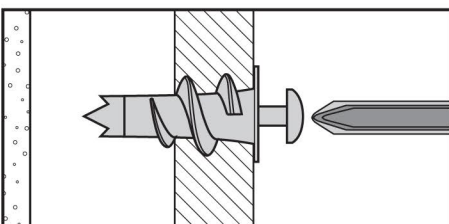
For use with plasterboard partitions or hollow wooden doors.

No.5 "Hammer Fixing" wall plug



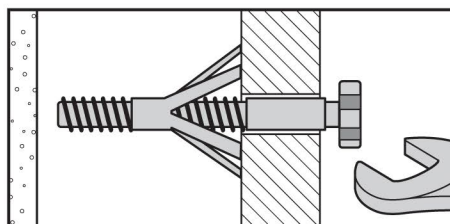
For use with walls stuck with plasterboard. The hammer fixing allows it to be fixed to the wall rather than the plasterboard. Always check the fixing is secure to the retaining wall.

No.2 "Plasterboard" wall plug



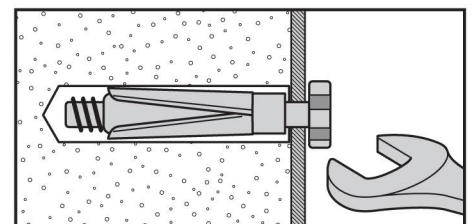
For use when attaching light loads onto plasterboard partitions.

No.4 "Cavity Fixing - Heavy Duty" wall plug



For use when fitting or supporting heavy loads such as shelving, wall cabinets and coat racks.

No.6 "Shield Anchor" wall plug - heavy loads



For use with heavier loads such as TV and HiFi speakers and satellite dishes etc.



Care & Maintenance

Safety: always check the fitting and location to ensure your safety in and around the home.

Fitting: from time to time check the fitting to ensure the wall plugs or screws do not become loose.

Quality and Safety Guidelines

- Please follow the static and dynamic weight capacity limits provided on this item.
- Please use this item on a stable, level surface only. All TV stand legs should contact the flooring surface when in use. Do not use this item if any instability is detected.
- Please install and use anti-tipping devices, wall anchors or attach directly to wall with appropriate hardware.
- This item is intended as a TV stand only, do not climb, stand or sit on this item.
- The item is intended to be used indoors.
- For product longevity, product safety and product integrity, protect from wet and humid weather or other wet, humid or moist conditions and store indoors in a dry location.