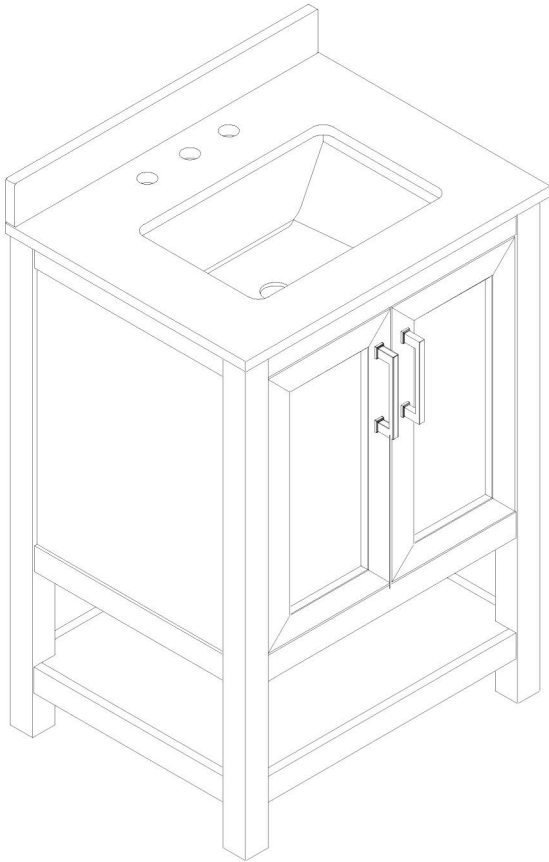


Thank you for your purchase!



Bathroom Vanity

ASSEMBLY INSTRUCTIONS

Before You Begin: Please see the required tools list (not included).

Please identify all component parts and hardware pieces required before you begin. Carefully remove all of the components from the packaging and set aside for assembly. Assemble on a soft surface to prevent scratching during assembly.

Caution:

Tighten all components securely before use. Failure to do so may result in personal injury. DO NOT use any sharp objects to open plastic wrapped components as damage to product or components may result.

Warning:

CHOKING HAZARD - Small Parts. Adult Assembly Required.

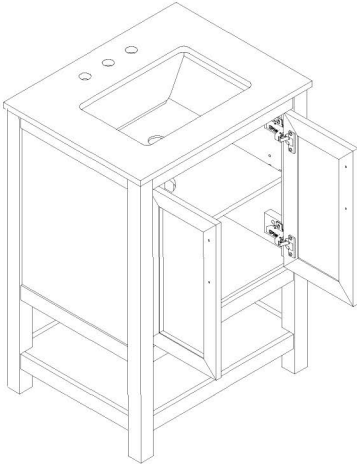
DO NOT ALLOW CHILDREN TO CLIMB ON FURNITURE

Serious or fatal injuries can occur from furniture tipping over. You must install Tipping Restraint Hardware (where included) to help prevent the unit from tipping and causing accidental injury, instability, death or damage. The tipping restraint is intended only as a safety measure, it is not a substitute for proper adult supervision.

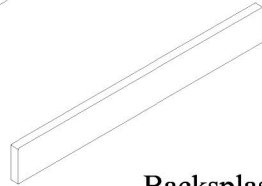
To help prevent furniture from tipping over it must be permanently attached to the wall. Anti-Tip Safety Wall Straps suitable for the unit weight and wall materials (if not included) should be purchased and installed.

PARTS LIST

A 1PC



B 1PC



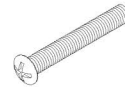
Backsplash

C 2PCS



Handle

D 4PCS



Bolt 5/32"*25mm

TOOLS REQUIRED (Not Included)



Silicone Sealant



Level



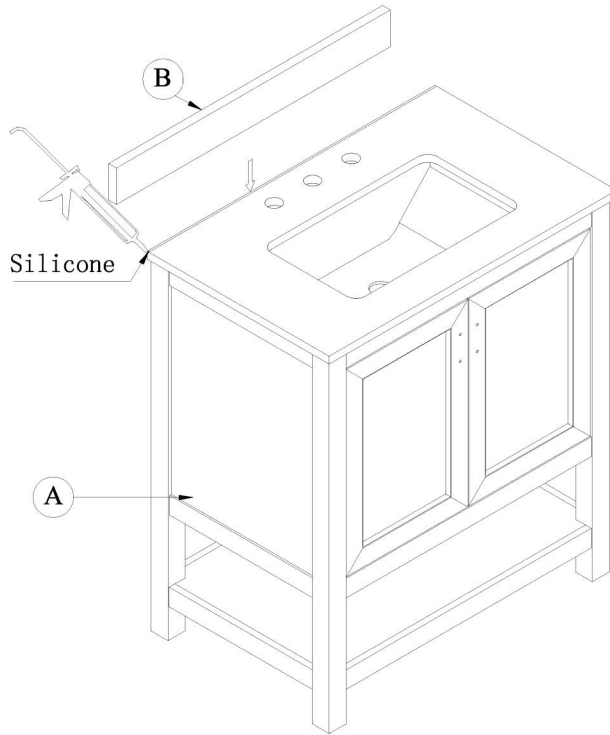
Phillips Screwdriver



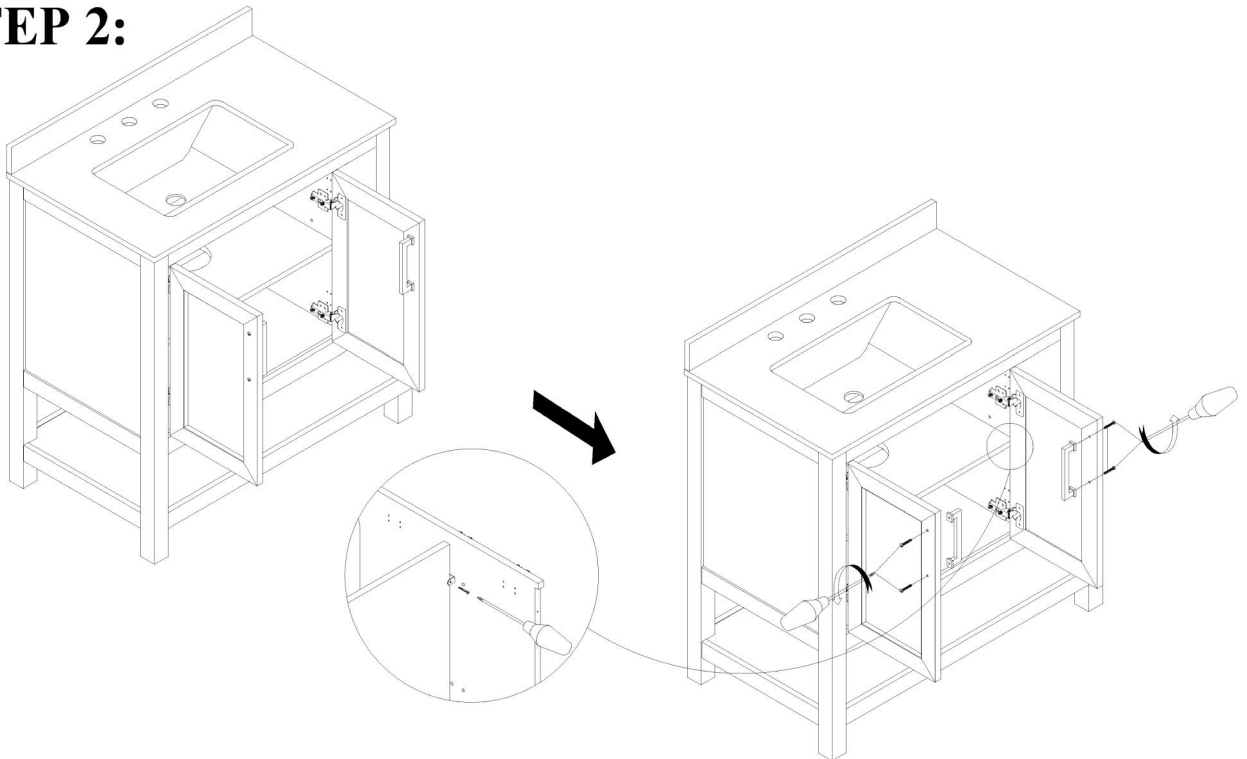
Clean rag

INSTALLATION

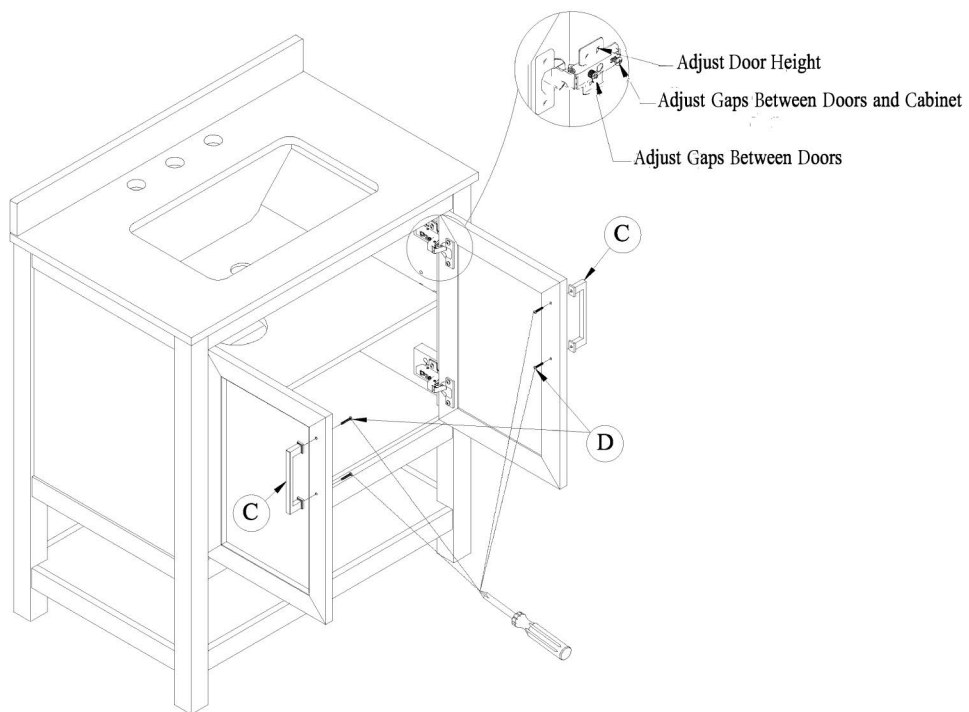
STEP 1: Installing the backsplash (Optional)



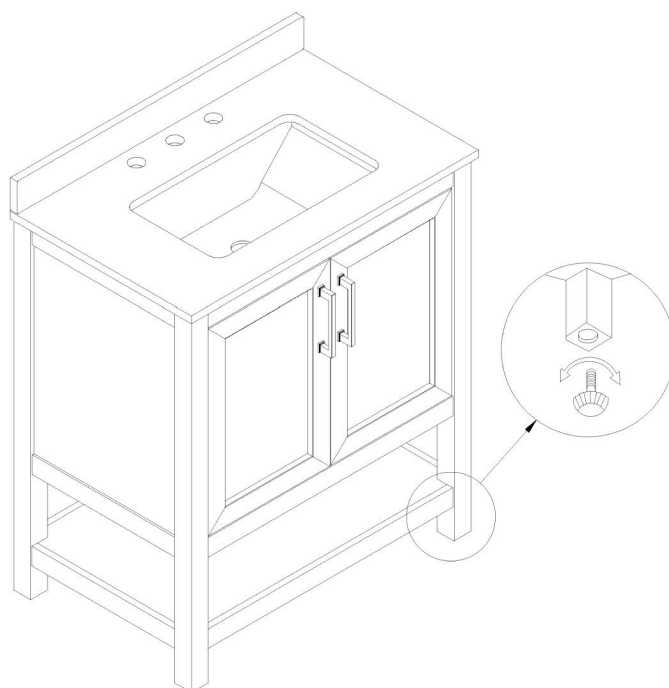
STEP 2:



STEP 3:



STEP 4:



Quality and Safety Guidelines:

Please follow the static and dynamic weight capacity limits provided on this item.

Please use this item on a stable, level surface only. All vanity legs should contact the flooring surface when in use. Do not use this item if any instability is detected.

Please install and use anti-tipping devices, wall anchors or attach directly to wall with appropriate hardware.

This item is intended as a bathroom vanity only, do not climb, stand or sit on this item. Do not use this item as a TV stand.

Keep fingers away from the hinge line clearance to avoid pinching.

The item is intended to be used indoors.

For product longevity, product safety and product integrity, protect from wet and humid weather or other wet, humid or moist conditions and store indoors in a dry location.