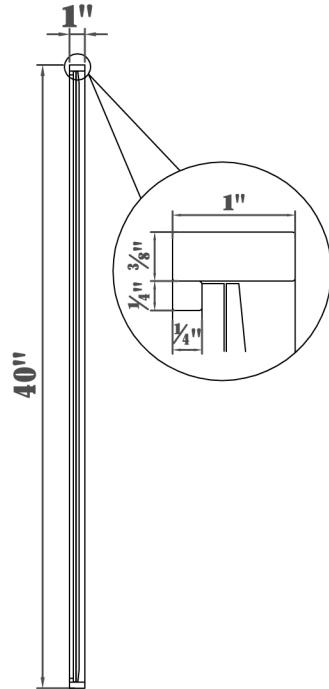
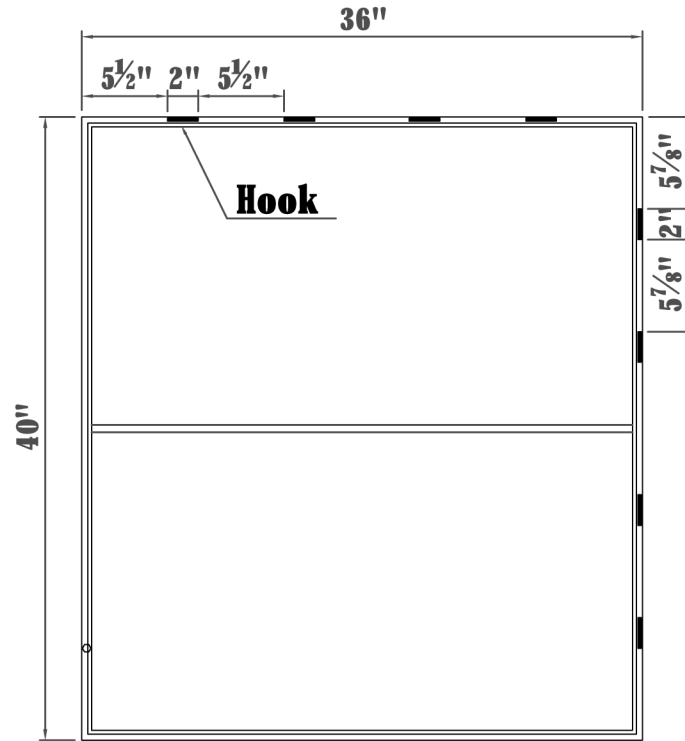


**Front view**



**Side view**



**Back view**

DWG. NO.

MODEL NO:

SPEC NO:

QUANTITY:

DATE:

CHECKED BY:

FOR PROPOSAL ONLY ALL DIMENSIONS TO BE VERIFIED

PROJECT:

COLOR:

FINISH:

REVISIONS

①

②

③

④

⑤

⑥

**ROSETO**

	<b>Product Type</b>	<b>Style</b>	<b>Product Width (in)</b>	<b>Product Depth (in)</b>	<b>Product Height (in)</b>	<b>Mirror Width</b>	<b>Mirror Depth</b>
	<b>Mirror</b>	<b>Contemporary</b>	<b>36</b>	<b>1</b>	<b>40</b>	<b>35.25"</b>	<b>0.16"</b>
<b>Mirror Height</b>	<b>Frame shape</b>	<b>Orientation</b>	<b>Frame finish</b>	<b>Frame material</b>	<b>Mounting / attachment type</b>	<b>Number of brackets</b>	<b>Beveled glass</b>
<b>39.25"</b>	<b>Rectangle</b>	<b>Vertical and Horizontal</b>	<b>Black</b>	<b>Metal and MDF</b>	<b>Metal Inset hanger</b>	<b>8</b>	<b>Yes</b>
<b>Frames</b>	<b>Package LENGTH</b>	<b>Package WIDTH</b>	<b>Package HEIGHT</b>	<b>Package Weight</b>	<b>Product weight</b>	<b>Shipment Type</b>	
<b>No</b>	<b>40.75</b>	<b>45.25</b>	<b>4.5</b>	<b>50.64</b>	<b>26.44</b>	<b>Small Parcel</b>	

DWG. NO.

MODEL NO:

SPEC NO:

QUANTITY:

DATE:

CHECKED BY:

FOR PROPOSAL ONLY ALL DIMENSIONS TO BE VERIFIED

PROJECT:

COLOR:

FINISH:

REVISIONS

①

②

③

④

⑤

⑥

**ROSETO**