

PARTS LIST / LISTE DES PIÈCES / LISTA DE PIEZAS

DESCRIPTION / LA DESCRIPCION / DESCRIPCIÓN : DRESSER-COMMODE-TOCADOR  
MIRROR-MIROIR-ESPEJO

**WARNING**

Children have died from furniture tip-over. To reduce the risk of furniture tip-over:

- ALWAYS install tip-over restraint provided.
- NEVER put a TV on this product.
- NEVER allow children to stand, climb or hang on drawers, doors, or shelves.
- NEVER open more than one drawer at a time.
- Place heaviest items in the lowest drawers.

*This is a permanent label. Do not remove!*



(A)

x1 Dresser  
x1 Commode  
x1 Tocador



(B)

x1 Mirror  
x1 Miroir  
x1 Espejo



(C)

x2 Mirror Support\*  
x2 Supporte de miroir  
x2 Soporte del espejo



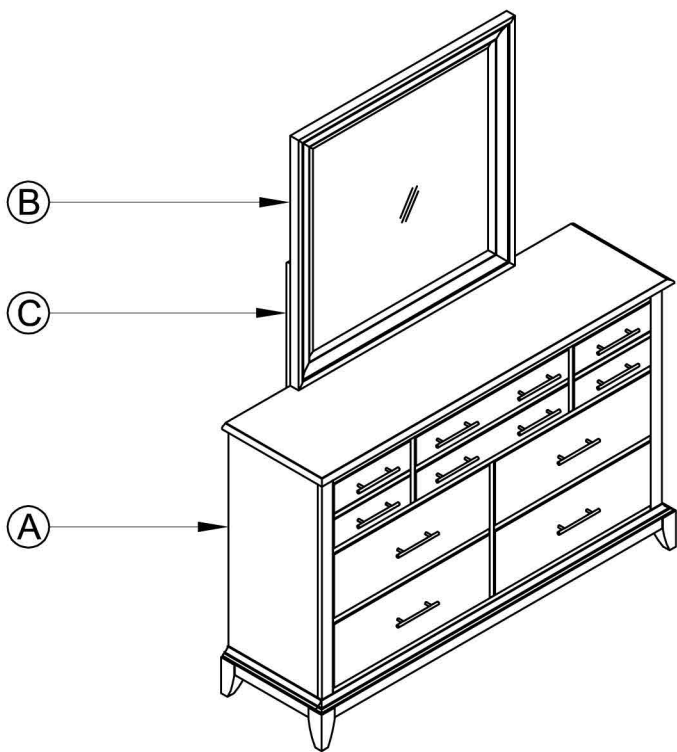
(D)

x8 Allen bolt Ø1/4"x45mm\*  
x8 Vis à tête creuse hexagonale Ø1/4"x45mm  
x8 Perno Allen Ø1/4"x45mm



(E)

x16 Lock washer Ø1/4"\*  
x16 Rondelle de blocage Ø1/4"  
x16 Arandela de Seguridad Ø1/4"



(F)

x16 Flat Washer Ø1/4"x16x1.5mm\*  
x16 Rondelle plate Ø1/4"x16x1.5mm  
x16 Arandela plana Ø1/4"x16x1.5mm



(G)

x1 Allen Key 4mm\*  
x1 Clé hexagonale 4mm  
x1 Llave Allen 4mm



(H)

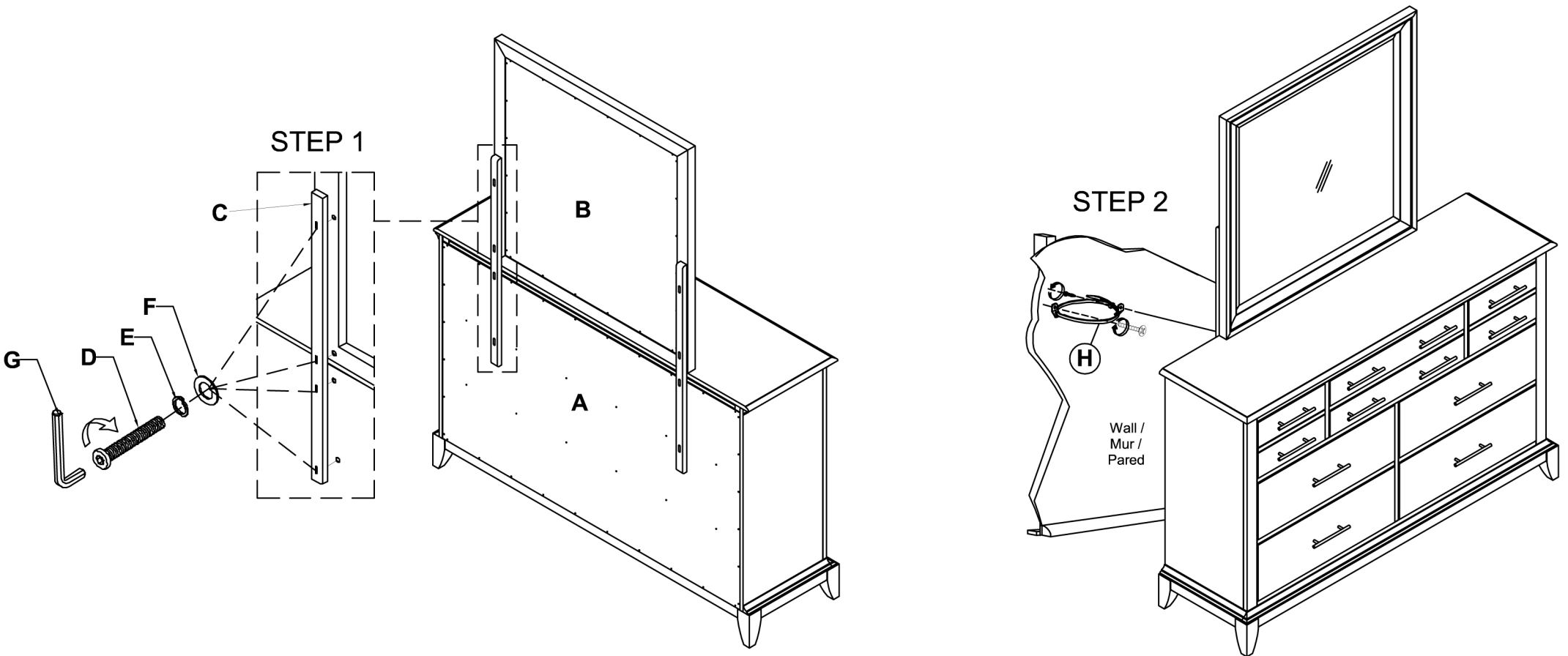
x1 Furniture tipping restraint\*  
x1 Système antibasculement  
x1 Control para evitar vuelcos

\* Replaceable Part



ASSEMBLY INSTRUCTION / NOTICE DE MONTAGE/ INSTRUCCIONES DE MONTAJE

DESCRIPTION / LA DESCRIPCION / DESCRIPCIÓN : DRESSER-COMMODE-TOCADOR  
MIRROR-MIROIR-ESPEJO

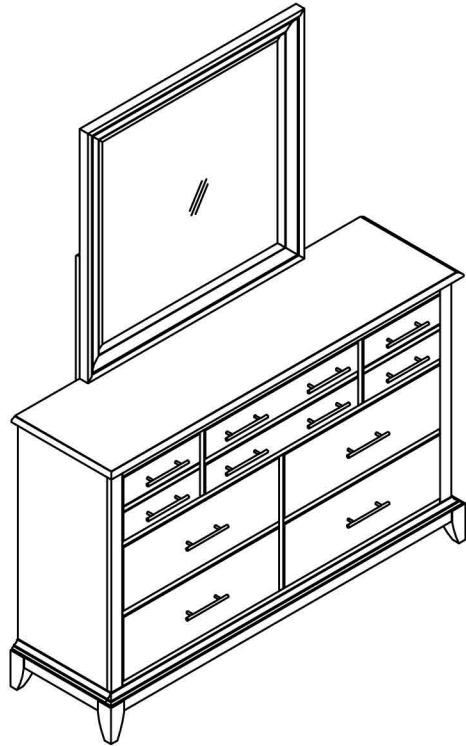


\* Replaceable Part

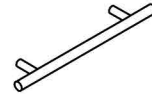


REPLACEABLE PART/ PARTIE REMPLACABLE/ PARTE REEMPLAZABLE

DESCRIPTION / LA DESCRIPCION / DESCRIPCIÓN : DRESSER-COMMODE-TOCADOR  
MIRROR-MIROIR-ESPEJO



x2 RS838-030-MISU - Mirror Support\*  
Supporte de miroir  
Soporte del espejo



x12 RS838-010 - Pull - Pull with Screw\*  
Tirer et vis  
Tire y Tornillo



x 8 COMGLIDE 12-35 Glide 12 inch 35mm\*  
Glissière  
Carril de deslizamiento



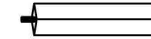
x1 RS838-030-HWKIT-Hardware Kit\*  
Liste des pièces de quincaillerie  
Lista de materiales



x4 RC-BL-NAIL-Black Plastic Nail\*  
Clou en plastique  
Clavo de plástico



x1 RC-FG-BLACK -Black Leveler\*  
Patin réglable  
Nivelador



x1 RS838-010-CELEG- Center support leg\*  
Pattes de supports  
Patas de apoyo de listones



x1 RC-ANTI-TIP Anti-tipping Restraint\*  
Liste des pièces de quincaillerie antibasculement  
Lista del kit de materiales antivuelco

\* Replaceable Part