

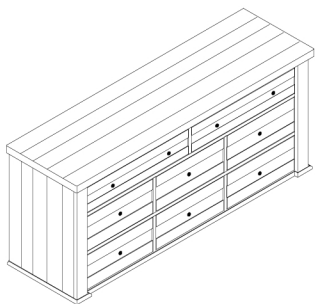
DESCRIPTION/ DESCRIPCION : Gentlemens Chest Deck/ Partie supérieure de commode/ Parte superior de Cómoda  
 Gentlemens Chest Base/ Base de Commode/ Base de Cómoda

**WARNING**

Children have died from furniture tipover. To reduce the risk of furniture tipover:

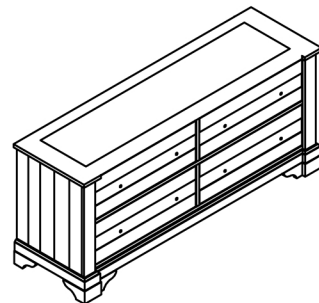
- ALWAYS install tipover restraint provided.
- NEVER put a TV on this product.
- NEVER allow children to stand, climb or hang on drawers, doors, or shelves.
- NEVER open more than one drawer at a time.
- Place heaviest items in the lowest drawers.

*This is a permanent label. Do not remove!*



**A**

x1 Gentlemens Chest Deck - 045A  
 x1 Partie supérieure de commode  
 x1 Parte superior de Cómoda



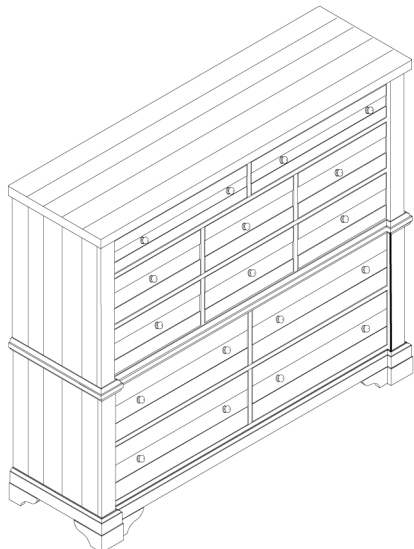
**B**

x1 Gentlemens Chest Base - 045B  
 x1 Base de Commode  
 x1 Base de Cómoda



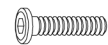
**C**

x2 Furniture Tipping Restraint \*  
 x2 Système antibasculement  
 x2 Control para evitar vuelcos



**1**

x2 Metal Plate 84\*32\*2mm \*  
 x2 Plaque de métal 84\*32\*2mm  
 x2 Placa de metal 84\*32\*2mm



**2**

x4 Flat washer Ø5/16\*\*19mm \*  
 x4 Rondelle plate Ø5/16\*\*19mm  
 x4 Arandela plana Ø5/16\*\*19mm



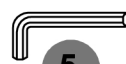
**3**

x4 Lock washer Ø5/16\*\*13\*2mm \*  
 x4 Rondelle de blocage Ø5/16\*\*13\*2mm  
 x4 Arandela de Seguridad Ø5/16\*\*13\*2mm



**4**

x4 Flat washer Ø5/16\*\*19\*2mm \*  
 x4 Rondelle plate Ø5/16\*\*19\*2mm  
 x4 Arandela plana Ø5/16\*\*19\*2mm



**5**

x1 Allen key M4 \*  
 x1 Clé hexagonale  
 x1 Llave Allen

\* Replaceable Part

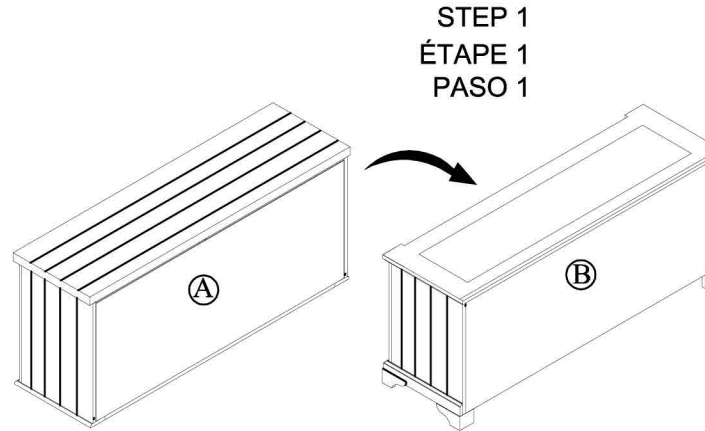
DESCRIPTION/ DESCRIPCION : Gentlemens Chest Deck/ Partie supérieure de commode/ Parte superior de Cómoda  
 Gentlemens Chest Base/ Base de Commode/ Base de Cómoda

**⚠ WARNING**

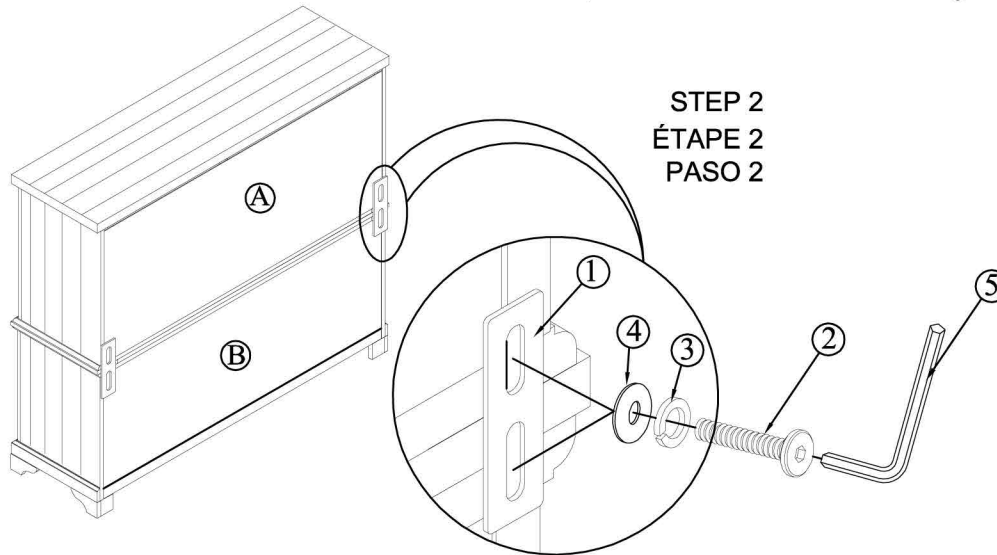
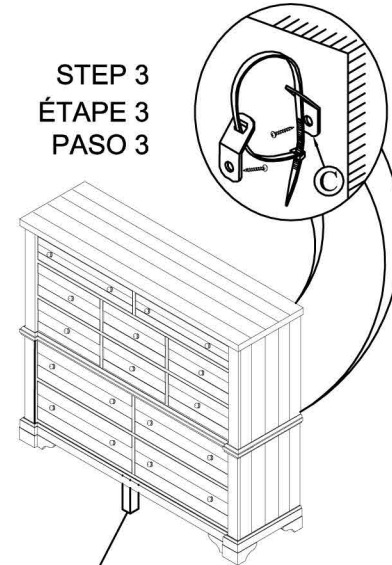
**Children have died from furniture tipover. To reduce the risk of furniture tipover:**

- ALWAYS install tipover restraint provided.
- NEVER put a TV on this product.
- NEVER allow children to stand, climb or hang on drawers, doors, or shelves.
- NEVER open more than one drawer at a time.
- Place heaviest items in the lowest drawers.

*This is a permanent label. Do not remove!*



Furniture Tipping Restraint  
 Système antibasculement  
 Control para evitar vuelcos



Adjustable leveler  
 Patin réglable  
 Nivelador ajustable

\* Replaceable Part

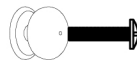
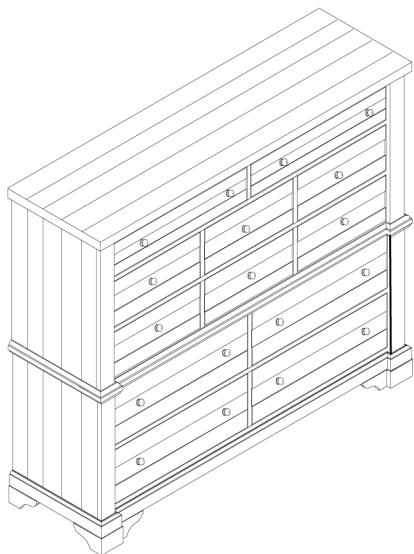
DESCRIPTION/ DESCRIPCION : Gentlemens Chest Deck/ Partie supérieure de commode/ Parte superior de Cómoda  
Gentlemens Chest Base/ Base de Commode/ Base de Cómoda

**WARNING**

**Children have died from furniture tipover. To reduce the risk of furniture tipover:**

- ALWAYS install tipover restraint provided.
- NEVER put a TV on this product.
- NEVER allow children to stand, climb or hang on drawers, doors, or shelves.
- NEVER open more than one drawer at a time.
- Place heaviest items in the lowest drawers.

*This is a permanent label. Do not remove!*



x18 RS786-010-KNOB-Knob with Screw  
Poignée + Vis  
Tirador + Tornillo \*



x2 RC-ANTI-TIP-Furniture Tipping Restraint  
Système antibasculement  
Control para evitar vuelcos \*



x2 RS786-045-PLATE-Metal Plate 84\*32\*2mm  
Plaque de métal 84\*32\*2mm  
Placa de metal 84\*32\*2mm \*



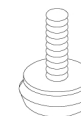
x1 RS786-045-HWKIT Hardware kit list  
Liste des pièces de quincailleries  
Lista del kit de materiales \*



x12 COMGLIDE12-35 - Drawer Glide  
Glissière  
Deslizamiento del cajón \*



x4 RC-WH-NAIL- White Plastic nail  
clou en plastique  
clavo de plástico \*



x1 RC-FG-WHITE-White leveler  
Patin ré glable  
Nivelador \*

\* Replaceable Part