

PARTS LIST / LISTE DES PIÈCES / LISTA DE PIEZAS

DESCRIPTION / LA DESCRIPCION / DESCRIPCIÓN :Drawer Chest/Commode à tiroirs/Cómoda

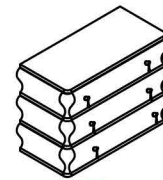
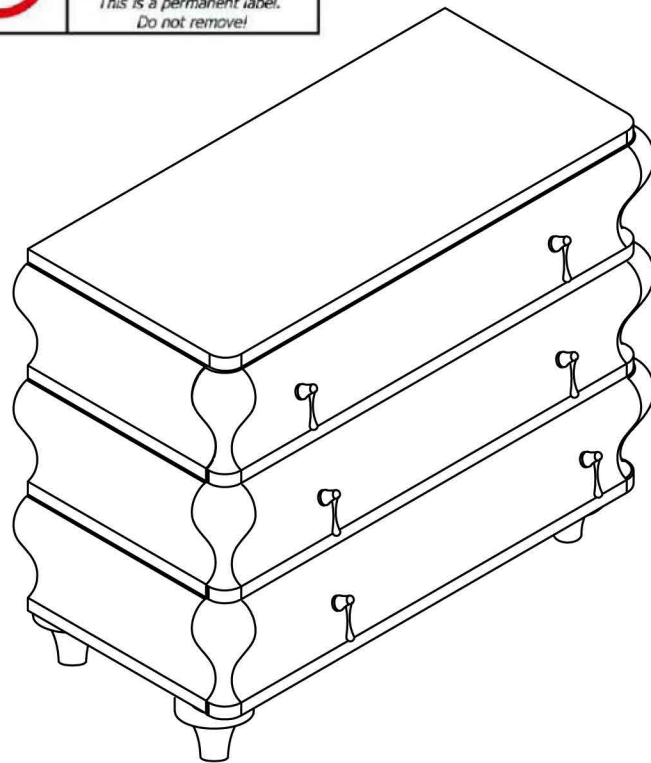
WARNING



Children have died from furniture tipover. To reduce the risk of furniture tipover:

- ALWAYS install tipover restraint provided.
- NEVER put a TV on this product.
- NEVER allow children to stand, climb or hang on drawers, doors, or shelves.
- NEVER open more than one drawer at a time.
- Place heaviest items in the lowest drawers.

This is a permanent label. Do not remove!



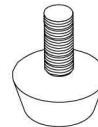
A

x1 Drawer Chest
x1 Commode à tiroirs
x1 Cómoda



B *

x4 Foot
x4 Pied
x4 Pie



C *

x4 Adjustable leveler
x4 Patin réglable
x4 Nivelador ajustable



D *

x1 Tipping restraint
x1 Liste des pièces de quincaillerie antibasculement
x1 Abrazadera antivuelco

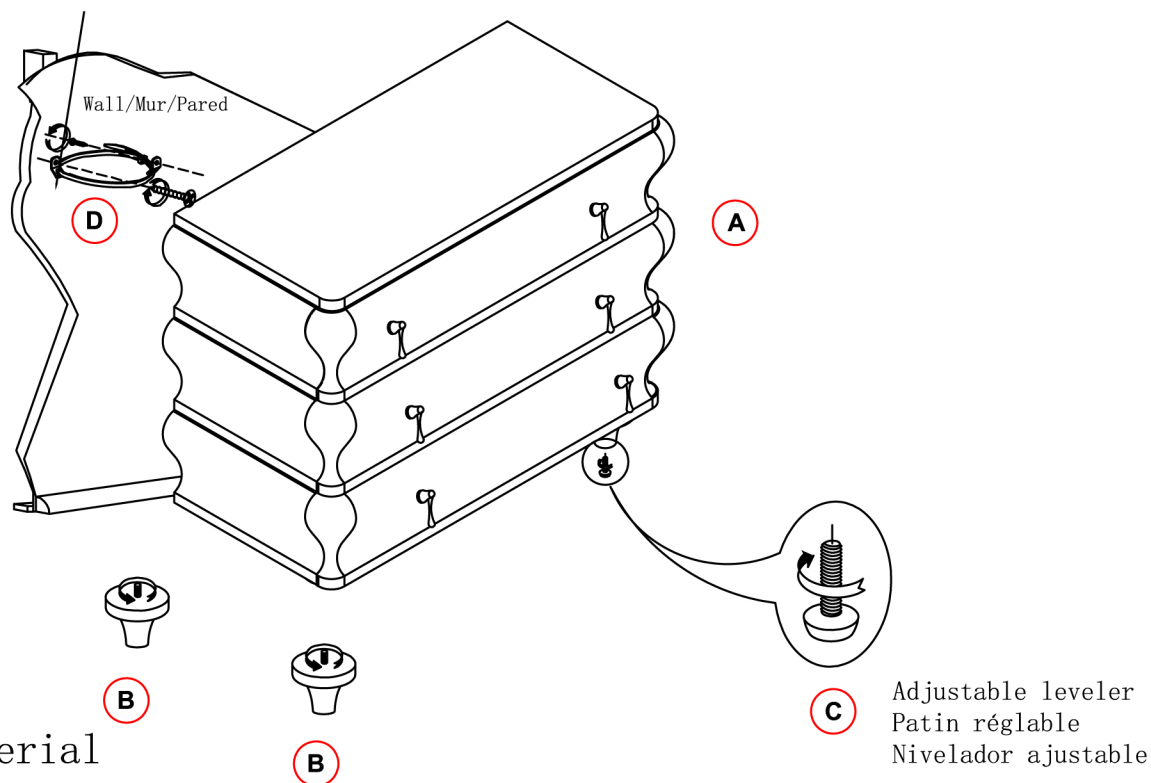
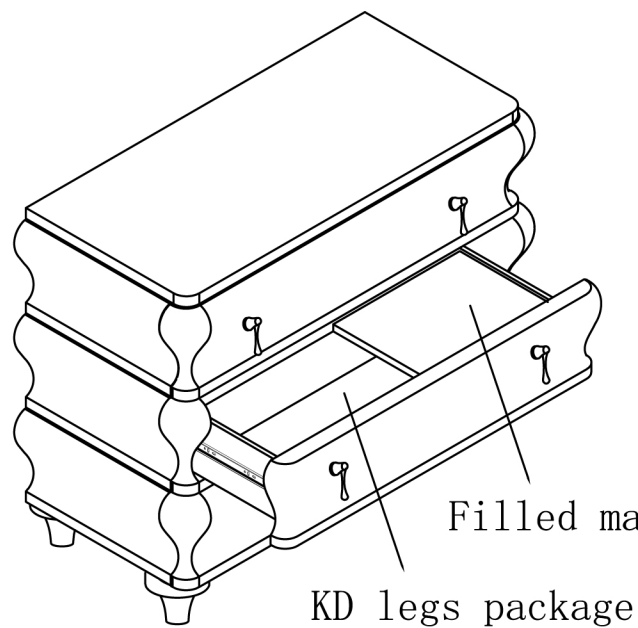
* Replaceable Part

ASSEMBLY INSTRUCTIONS/ NOTICE DE MONTAGE/ INSTRUCCIONES DE MONTAJE

DESCRIPTION / LA DESCRIPCION / DESCRIPCIÓN :Drawer Chest/Commode à tiroirs/Cómoda



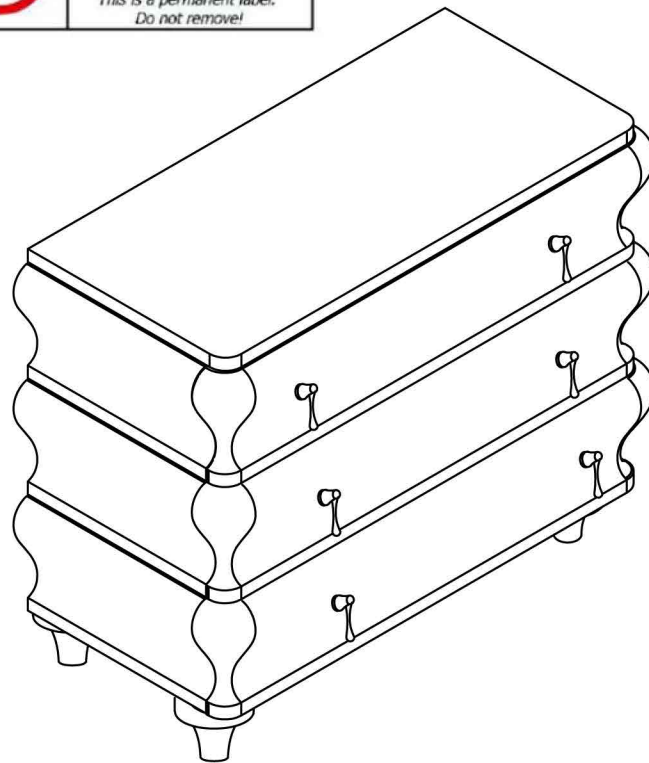
Anti-Tipping/Liste des pièces de quincaillerie antibasculement/
Lista del kit de materiales antivuelco



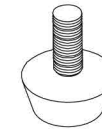
* Replaceable Part

REPLACEABLE PART/ PARTIE REMPLACABLE/ PARTE REEMPLAZABLE

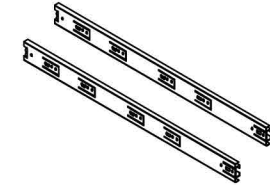
DESCRIPTION / LA DESCRIPCION / DESCRIPCIÓN :Drawer Chest/Commode à tiroirs/Cómoda



* x4 RP301505-FOOT
Foot
Pied
Pie



* x4 RP301505-LEVE
Adjustable leveler
Patin réglable
Nivelador ajustable



* x1 RP301505-DG
Full Extension guides
Rails à extension complète
Rieles completamente extensibles



* x6 RP301505-PULL
Pull with screw
Tirer et vis
Tire y Tornillo



x1 RC-ANTI-TIP
Tipping restraint
Liste des pièces de quincaillerie antibasculement
Abrazadera antivuelco

* Replaceable Part