

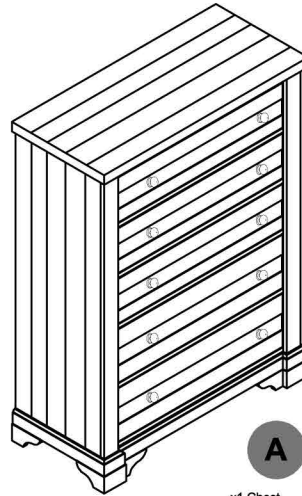
**WARNING**



**Children have died from furniture tipover. To reduce the risk of furniture tipover:**

- ALWAYS install tipover restraint provided.
- NEVER put a TV on this product.
- NEVER allow children to stand, climb or hang on drawers, doors, or shelves.
- NEVER open more than one drawer at a time.
- Place heaviest items in the lowest drawers.

*This is a permanent label. Do not remove!*



**A**

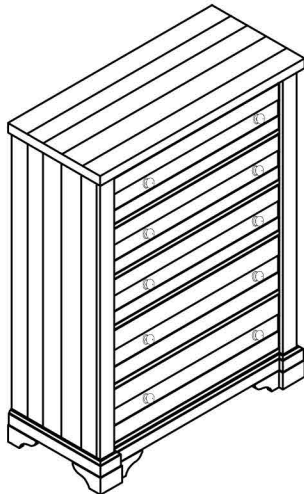
- x1 Chest
- x1 Commode
- x1 Cómoda



**B**

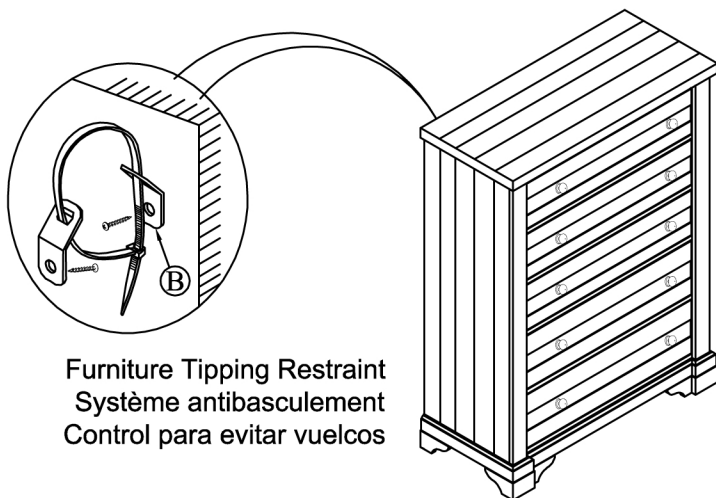
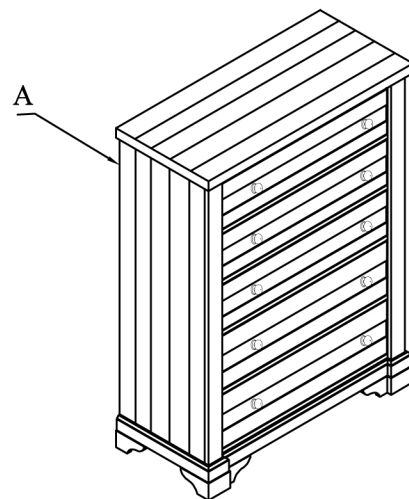
- x1 Furniture Tipping Restraint
- x1 Système antibasculement
- x1 Control para evitar vuelcos

\*



\*Replaceable Part

<b>⚠ WARNING</b>	
	<p><b>Children have died from furniture tipover. To reduce the risk of furniture tipover:</b></p> <ul style="list-style-type: none"> <li>• ALWAYS install tipover restraint provided.</li> <li>• NEVER put a TV on this product.</li> <li>• NEVER allow children to stand, climb or hang on drawers, doors, or shelves.</li> <li>• NEVER open more than one drawer at a time.</li> <li>• Place heaviest items in the lowest drawers.</li> </ul> <p><i>This is a permanent label. Do not remove!</i></p>
	



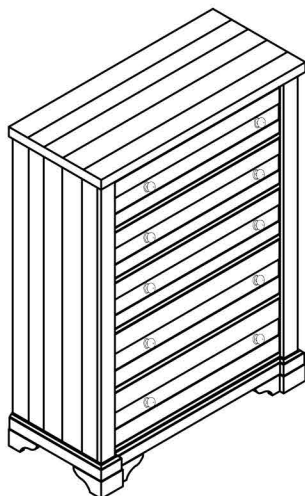
\* Replaceable Part

**WARNING**

Children have died from furniture tipover. To reduce the risk of furniture tipover:

- ALWAYS install tipover restraint provided.
- NEVER put a TV on this product.
- NEVER allow children to stand, climb or hang on drawers, doors, or shelves.
- NEVER open more than one drawer at a time.
- Place heaviest items in the lowest drawers.

*This is a permanent label. Do not remove!*

x10 RS786-010-KNOB-Knob with Screw  
Poignée + Vis  
Tirador + Tornillo

\*



x1 RC-ANTI-TIP-Furniture Tipping Restraint  
Système antibasculement  
Control para evitar vuelcos

\*



x4 RC-WH-NAIL- White Plastic nail  
clou en plastique  
clavo de plástico

\*



x5 COMGLIDE12-35 - Drawer Glide  
Glissière  
Deslizamiento del cajón

\*

\* Replaceable Part