

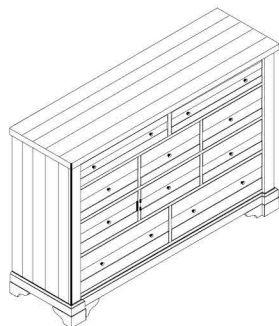
DESCRIPTION/ DESCRIPCION : Dresser / Commode / Tocador  
 Mirror / Miroir / Espejo

**WARNING**

Children have died from furniture tipover. To reduce the risk of furniture tipover:

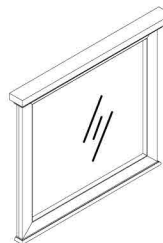
- ALWAYS install tipover restraint provided.
- NEVER put a TV on this product.
- NEVER allow children to stand, climb or hang on drawers, doors, or shelves.
- NEVER open more than one drawer at a time.
- Place heaviest items in the lowest drawers.

*This is a permanent label.  
Do not remove!*



**A**

x1 Dresser  
 x1 Commode  
 x1 Tocador



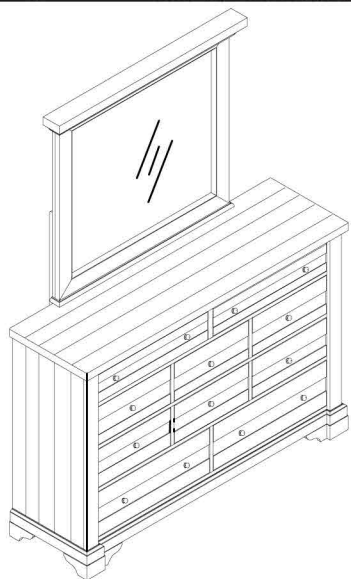
**B**

x1 Mirror  
 x1 Miroir  
 x1 Espejo



**C**

x2 Mirror Support  
 x2 Prise en charge du miroir  
 x2 Soporte de espejo \*



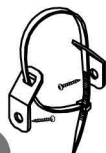
**D**

x1 Furniture Tipping Restraint  
 x1 Système antibasculement  
 x1 Control para evitar vuelcos \*



**3**

x8 Flat washer Ø1/4\*\*19\*2mm  
 x8 Rondelle plate Ø1/4\*\*19\*2mm  
 x8 Arandela plana Ø1/4\*\*19\*2mm \*



**1**

x8 Allen bolt Ø1/4 \*\* 38mm  
 x8 Vis à tête creuse hexagonale Ø1/4 \*\* 38mm  
 x8 Perno Allen Ø1/4 \*\* 38mm \*



**2**

x8 Lock washer Ø1/4\*\*11\*2mm  
 x8 Rondelle de blocage Ø1/4\*\*11\*2mm  
 x8 Arandela de Seguridad Ø1/4\*\*11\*2mm \*



**4**

x1 Allen key M4  
 x1 Clé hexagonale  
 x1 Llave Allen \*

\* Replaceable Part

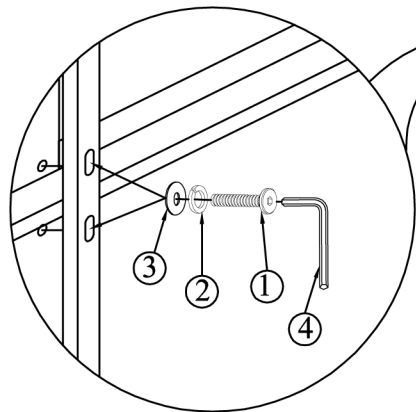
DESCRIPTION/ DESCRIPCION : Dresser / Commode / Tocador  
 Mirror / Miroir / Espejo

**WARNING**

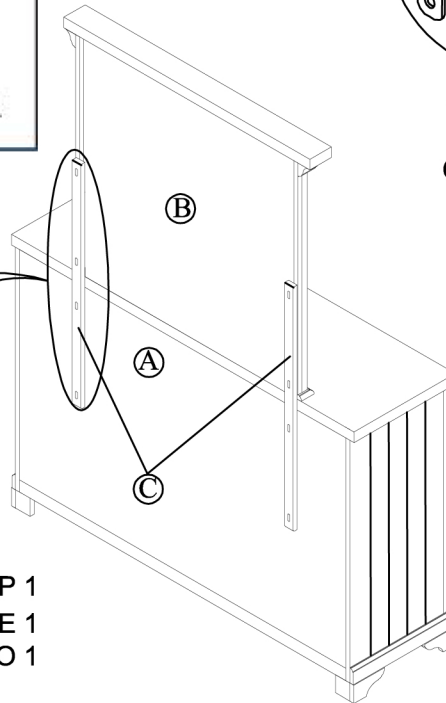
Children have died from furniture tipover. To reduce the risk of furniture tipover:

- ALWAYS install tipover restraint provided.
- NEVER put a TV on this product.
- NEVER allow children to stand, climb or hang on drawers, doors, or shelves.
- NEVER open more than one drawer at a time.
- Place heaviest items in the lowest drawers.

*This is a permanent label.  
Do not remove!*

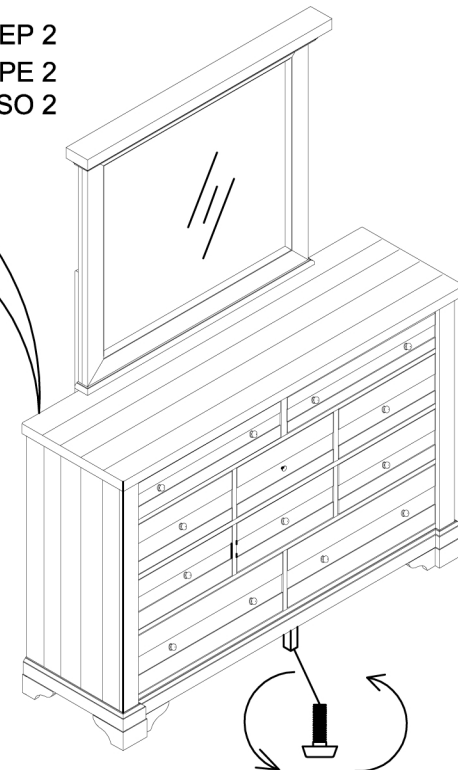


STEP 1  
ÉTAPE 1  
PASO 1



Furniture Tipping Restraint  
Système antibasculement  
Control para evitar vuelcos

STEP 2  
ÉTAPE 2  
PASO 2



Adjustable leveler  
Patin réglable  
Nivelador ajustable

\* Replaceable Part

DESCRIPTION/ DESCRIPCION : Dresser / Commode / Tocador  
 Mirror / Miroir / Espejo

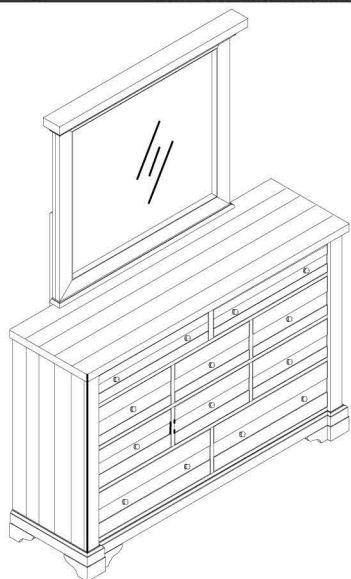
**WARNING**



Children have died from furniture tipover. To reduce the risk of furniture tipover:

- ALWAYS install tipover restraint provided.
- NEVER put a TV on this product.
- NEVER allow children to stand, climb or hang on drawers, doors, or shelves.
- NEVER open more than one drawer at a time.
- Place heaviest items in the lowest drawers.

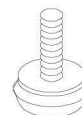
*This is a permanent label.  
Do not remove!*



x14 RS786-010-KNOB-Knob with Screw  
 Poignée + Vis  
 Tirador + Tornillo \*



x1 RC-ANTI-TIP-Furniture Tipping Restraint  
 Système antibasculement  
 Control para evitar vuelcos \*



x1 RC-FG-WHITE White leveler  
 Patin ré glable  
 Nivelador \*



x4 RC-WH-NAIL- White Plastic nail  
 clou en plastique  
 clavo de plástico \*



x1 RS786-030-HWKIT-Hardware kit list  
 Liste des pièces de quincailleries  
 Lista del kit de materiales \*



x2 RS786-030-MISU- Mirror Support  
 Supporte de miroir  
 Soporte del espejo \*



x10 COMGLIDE12-35 - Drawer Glide  
 Glissière  
 Deslizamiento del cajón \*

\* Replaceable Part