

PARTS LIST / LISTE DES PIÈCES / LISTA DE PIEZAS

DESCRIPTION/LA DESCRIPCION/DESCRIPCIÓN :Entertainment Console/
Console de divertissement murale/Consola de entretenimiento



A *

x2 Adjustable Shelf
x2 Tablette ajustable
x2 Estante ajustable



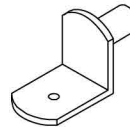
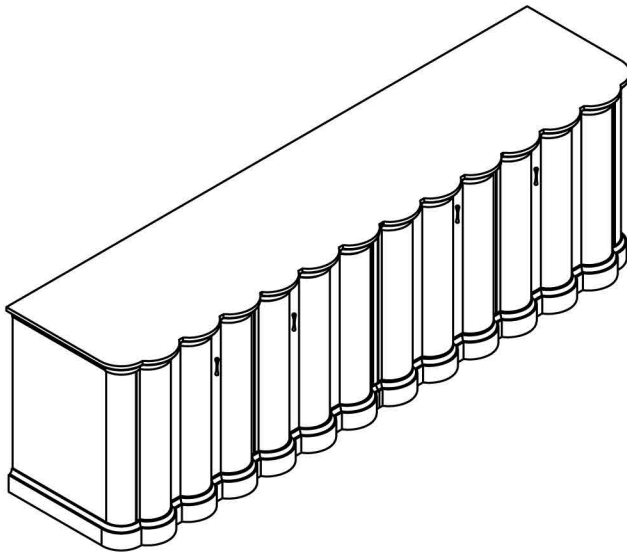
B *

x4 Adjustable leveler-White
x4 Patin réglable
x4 Nivelador ajustable



C *

x1 Tipping restraint
x1 Liste des pièces de quincaillerie antibasculement
x1 Abrazadera antivuelco



D *

x8 Shelf Supports
x8 Supports Pour Tablette
x8 Soporte De Las Repisas

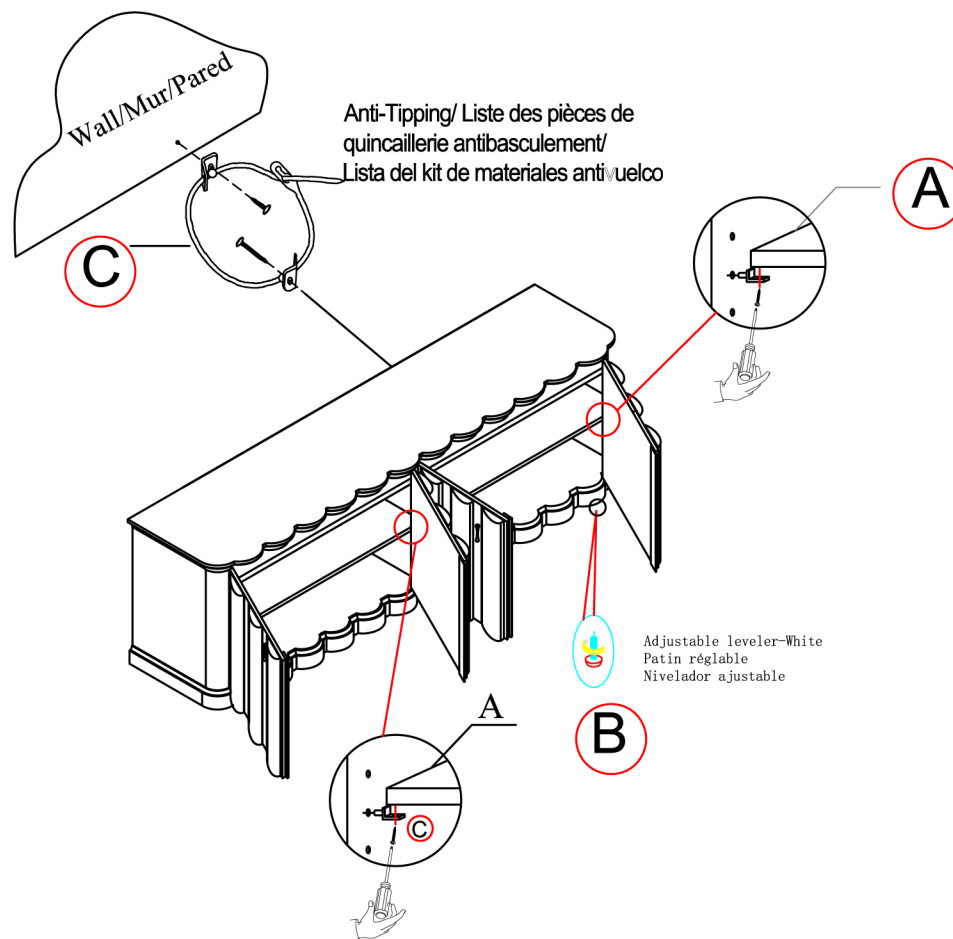
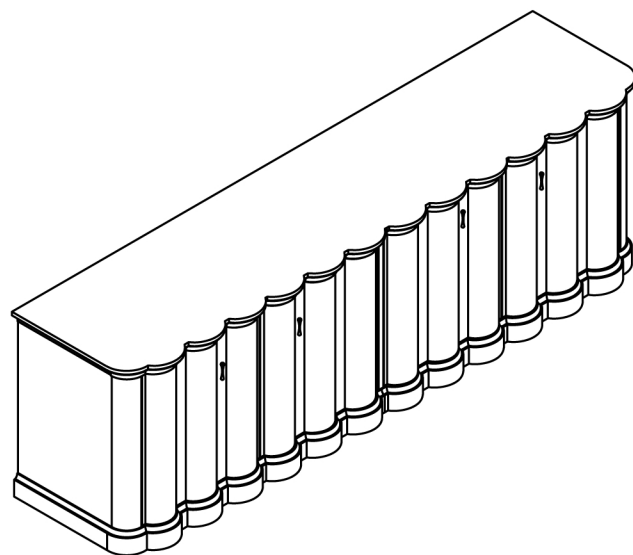
* Replaceable Part

ASSEMBLY INSTRUCTIONS/ NOTICE DE MONTAGE/ INSTRUCCIONES DE MONTAJE



DESCRIPTION/LA DESCRIPCION/DESCRIPCIÓN :Entertainment Console/
Console de divertissement murale/Consola de entretenimiento

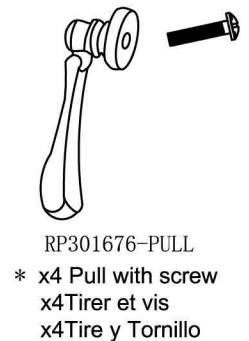
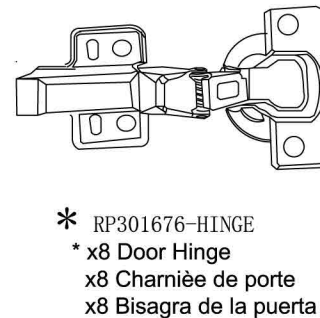
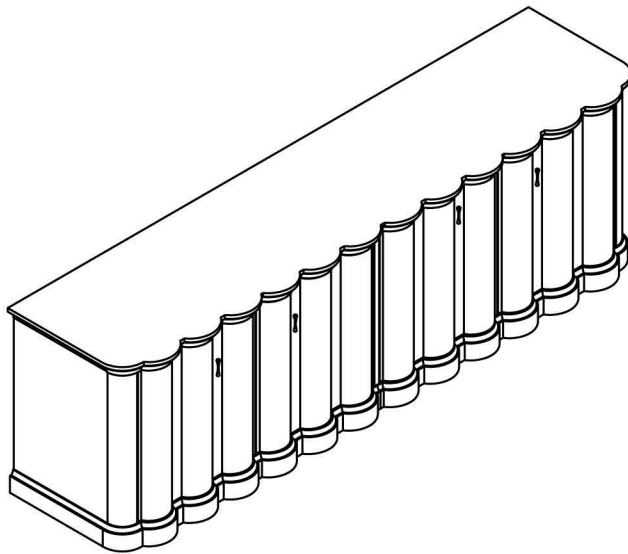
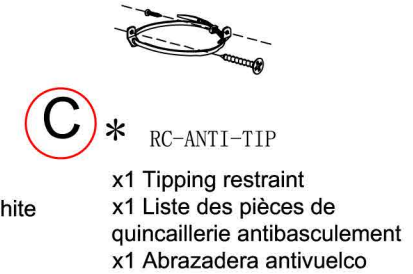
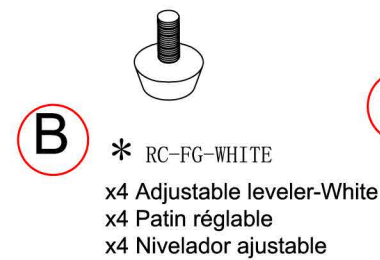
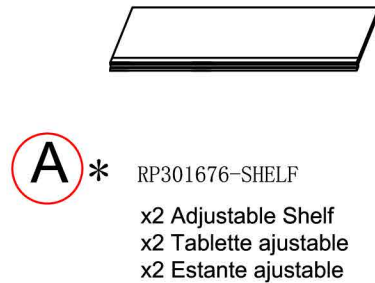
⚠ WARNING	
	<p>Children have died from furniture tipover. To reduce the risk of furniture tipover:</p> <ul style="list-style-type: none"> • ALWAYS install tipover restraint provided. • For use with televisions weighing 170 lbs (77.11 kgs) or less. Use with heavier televisions may result in instability causing tip-over resulting in death or serious injury. • NEVER allow children to stand, climb or hang on drawers, doors, or shelves. • NEVER open more than one drawer at a time. • Place heaviest items in the lowest drawers. <p><i>This is a permanent label. Do not remove!</i></p>



* Replaceable Part

REPLACEABLE PART/ PARTIE REMPLACABLE/ PARTE REEMPLAZABLE

DESCRIPTION/LA DESCRIPCION/DESCRIPCIÓN :Entertainment Console/
Console de divertissement murale/Consola de entretenimiento



* Replaceable Part