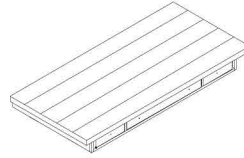
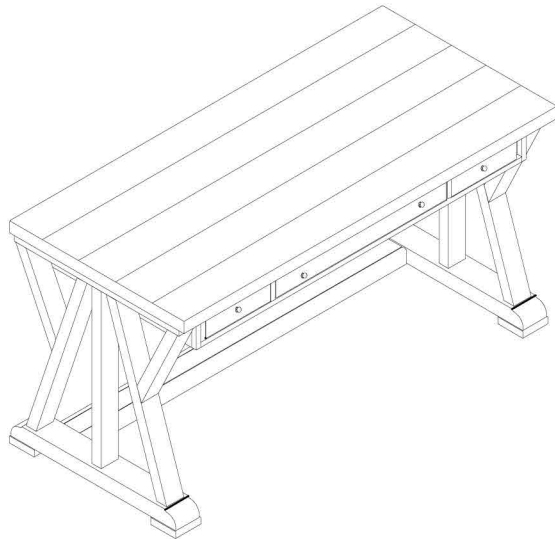


**WARNING**

**Children have died from furniture tipover. To reduce the risk of furniture tipover:**

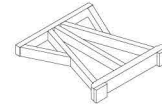
- ALWAYS install tipover restraint provided.
- NEVER put a TV on this product.
- NEVER allow children to stand, climb or hang on drawers, doors, or shelves.
- NEVER open more than one drawer at a time.
- Place heaviest items in the lowest drawers.

*This is a permanent label. Do not remove!*



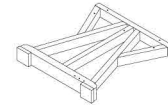
**A**

x1 Table panel  
x1 Tête de lit  
x1 Cabecera



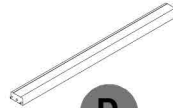
**B**

x1 Table Legs Right \*  
x1 Pattes de la tête de lit droite  
x1 Patas de cabecera derecha



**C**

x1 Table Legs Left \*  
x1 Pattes de la tête de lit gauche  
x1 Patas de cabecera izquierda



**D**

x1 Bottom Rail \*  
x1 Traverse inférieure  
x1 Travesaño inferior



**E**

x1 Furniture Tipping Restraint \*  
x1 Système antibasculement  
x1 Control para evitar vuelcos



**1**

x12 Allen bolt Ø5/16\*\* 40mm \*  
x12 Vis à tête creuse hexagonale Ø5/16\*\* 40mm  
x12 Perno Allen Ø5/16\*\* 40mm



**2**

x12 Lock Washer Ø5/16\*\*14\*2mm \*  
x12 Rondelle de blocage Ø5/16\*\*14\*2mm  
x12 Arandela de Seguridad Ø5/16\*\*14\*2mm



**3**

x12 Flat Washer Ø5/16\*\*19\*2mm \*  
x12 Rondelle Plate Ø5/16\*\*19\*2mm  
x12 Arandela Plana Ø5/16\*\*19\*2mm



**4**

x1 Allen key M4 \*  
x1 Clé hexagonale  
x1 Llave Allen

\*Replaceable Part

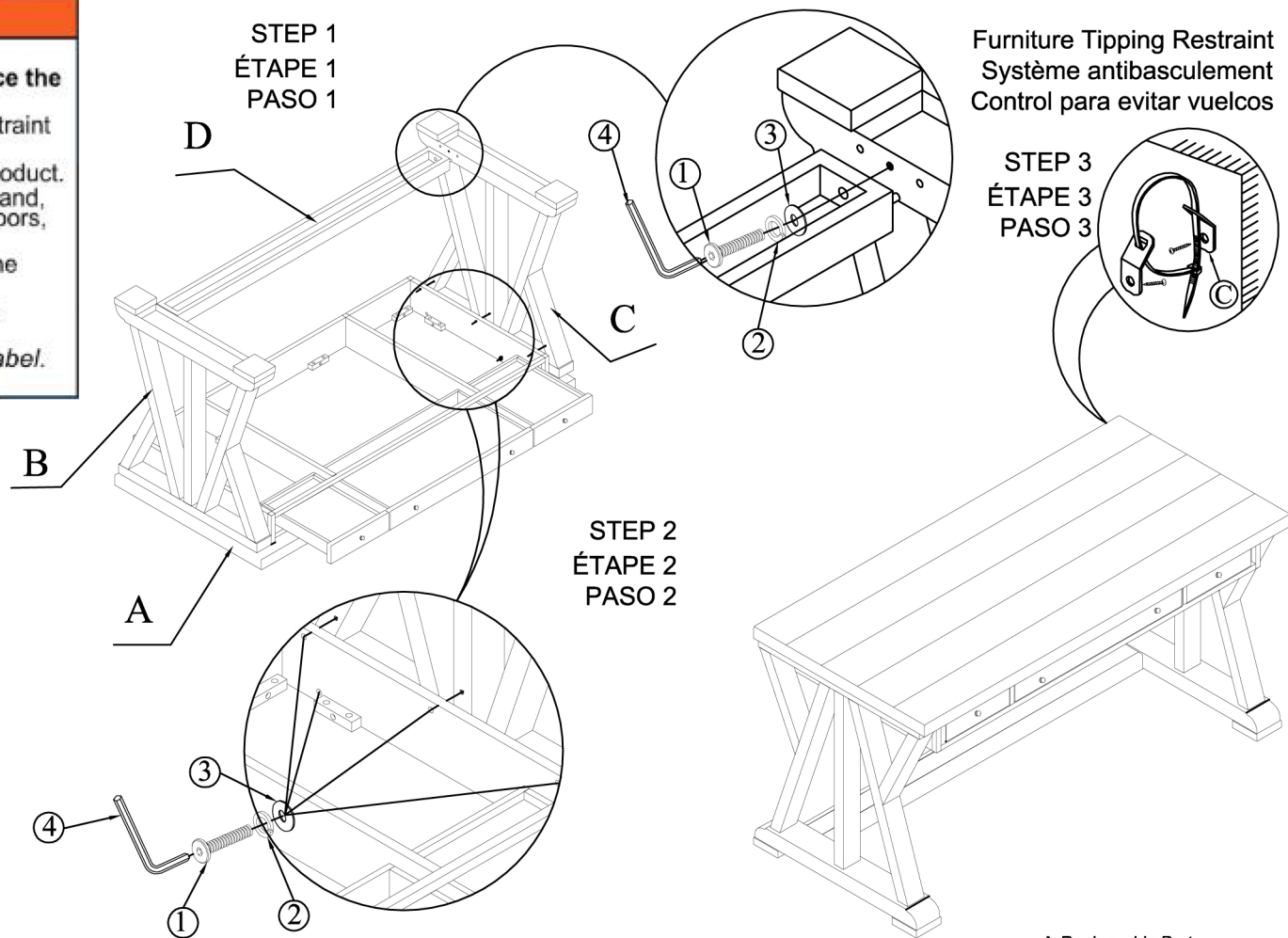
**WARNING**



**Children have died from furniture tipover. To reduce the risk of furniture tipover:**

- ALWAYS install tipover restraint provided.
- NEVER put a TV on this product.
- NEVER allow children to stand, climb or hang on drawers, doors, or shelves.
- NEVER open more than one drawer at a time.
- Place heaviest items in the lowest drawers.

*This is a permanent label. Do not remove!*



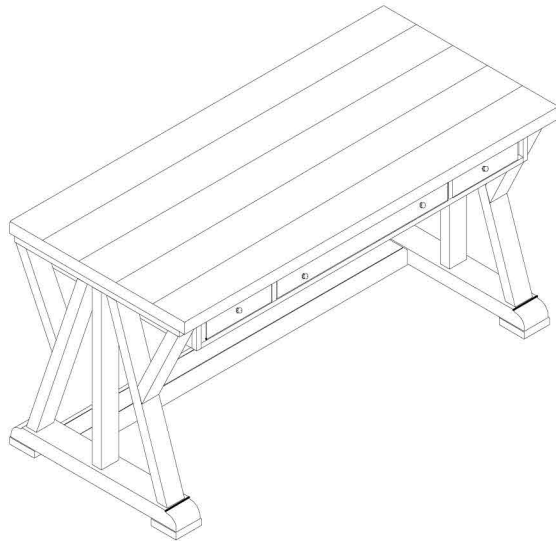
\* Replaceable Part

**WARNING**

Children have died from furniture tipover. To reduce the risk of furniture tipover:

- ALWAYS install tipover restraint provided.
- NEVER put a TV on this product.
- NEVER allow children to stand, climb or hang on drawers, doors, or shelves.
- NEVER open more than one drawer at a time.
- Place heaviest items in the lowest drawers.

*This is a permanent label. Do not remove!*



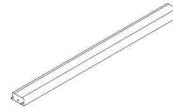
x4 RS786-010-KNOB-Knob with Screw  
Poignée + Vis  
Tirador + Tornillo \*



x3 COMGLIDE12-35 - Drawer Glide  
Glissière  
Deslizamiento del cajón \*



x1 RS786-910-HWKIT-Hardware kit list  
Liste des pièces de quincailleries  
Lista del kit de materiales \*



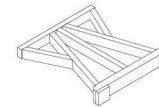
x1 RS786-910-RAIL- Bottom Rail  
Traverse inférieure  
Travesaño inferior \*



x4 RC-WH-NAIL- White Plastic nail  
clou en plastique  
clavo de plástico \*



x1 RC-ANTI-TIP-Furniture Tipping Restraint  
Système antibasculement  
Control para evitar vuelcos \*



x1 RS786-910-LEGR-Table Legs Right  
Pattes de la tête de lit droite  
Patatas de cabecera derecha \*



x1 RS786-910-LEGL-Table Legs Left  
Pattes de la tête de lit gauche  
Patatas de cabecera izquierda \*

\* Replaceable Part