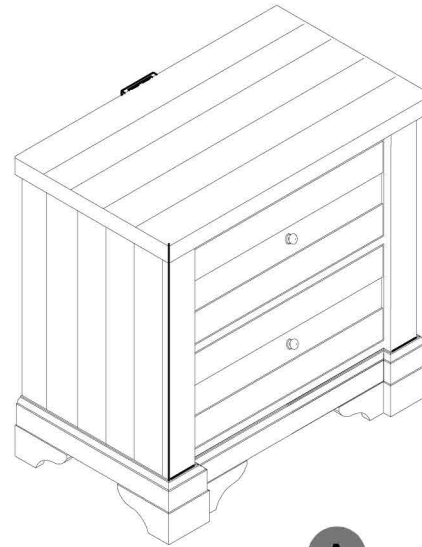


WARNING

Children have died from furniture tipover. To reduce the risk of furniture tipover:

- ALWAYS install tipover restraint provided.
- NEVER put a TV on this product.
- NEVER allow children to stand, climb or hang on drawers, doors, or shelves.
- NEVER open more than one drawer at a time.
- Place heaviest items in the lowest drawers.

This is a permanent label. Do not remove!

A

x1 Nightstand
x1 Table de chevet
x1 Mesa de noche



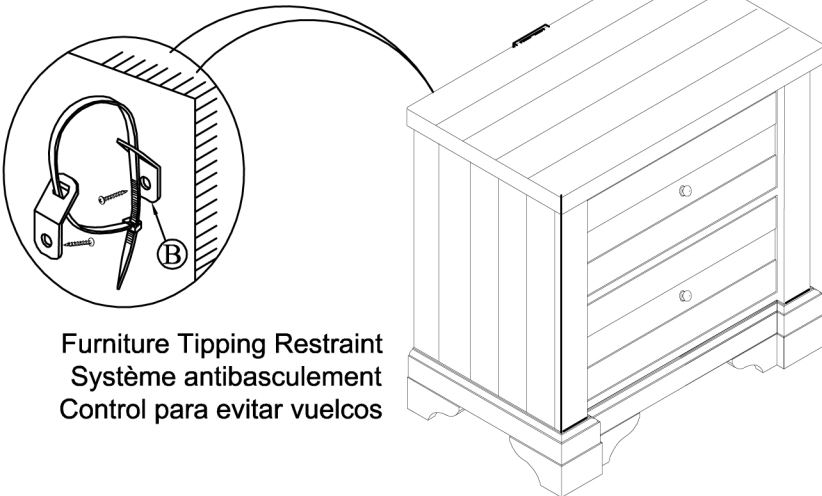
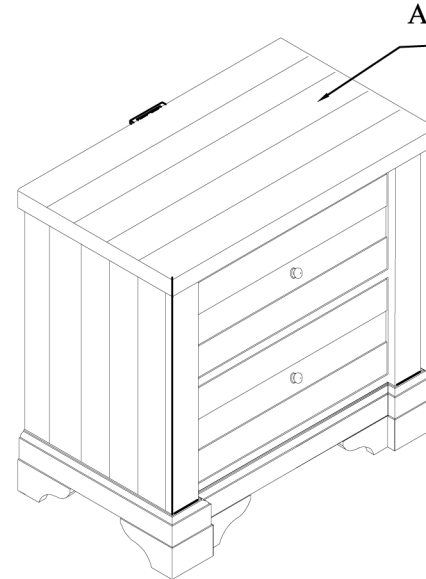
B

x1 Furniture Tipping Restraint
x1 Système antibasculement
x1 Control para evitar vuelcos

*

* Replaceable Part

⚠ WARNING	
	<p>Children have died from furniture tipover. To reduce the risk of furniture tipover:</p> <ul style="list-style-type: none"> • ALWAYS install tipover restraint provided. • NEVER put a TV on this product. • NEVER allow children to stand, climb or hang on drawers, doors, or shelves. • NEVER open more than one drawer at a time. • Place heaviest items in the lowest drawers. <p><i>This is a permanent label. Do not remove!</i></p>
	



Furniture Tipping Restraint
 Système antibasculement
 Control para evitar vuelcos

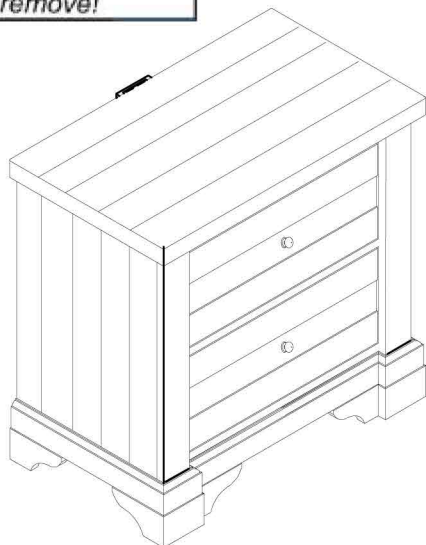
* Replaceable Part

WARNING

Children have died from furniture tipover. To reduce the risk of furniture tipover:

- ALWAYS install tipover restraint provided.
- NEVER put a TV on this product.
- NEVER allow children to stand, climb or hang on drawers, doors, or shelves.
- NEVER open more than one drawer at a time.
- Place heaviest items in the lowest drawers.

This is a permanent label. Do not remove!

x2 RS786-010-KNOB-Knob with Screw
Poignée + Vis
Tirador + Tornillo

*



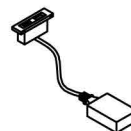
x4 RC-WH-NAIL- White Plastic nail
clou en plastique
clavo de plástico

*



x1 RC-ANTI-TIP-Furniture Tipping Restraint
Système antibasculement
Control para evitar vuelcos

*



x1 RS786 -050-USB- USB ports
Prises USB
Conectores USB

*



x2 COMGLIDE10-35 - Drawer Glide
Glissière
Deslizamiento del cajón

*

* Replaceable Part