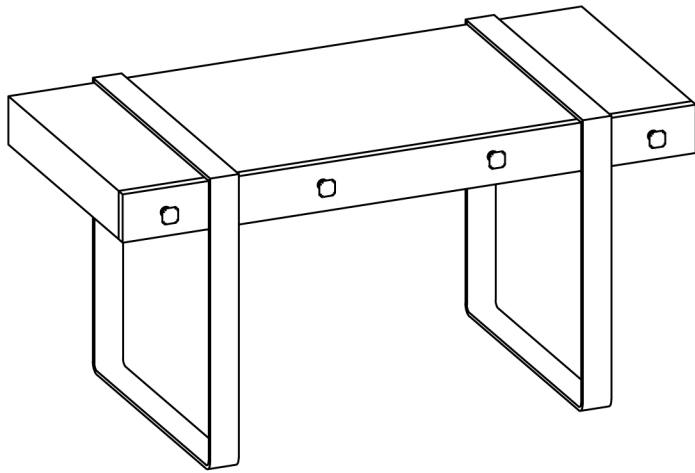


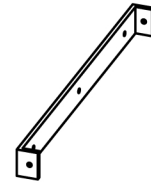
**PARTS LIST / LISTE DES PIÈCES / LISTA DE PIEZAS**

**DESCRIPTION / DESCRIPCIÓN : DESK / BUREAU / ESCRITORIO**



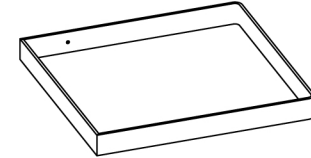
**A**

x1 DESK  
x1 BUREAU  
x1 ESCRITORIO



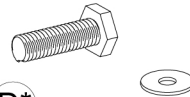
**B\***

x2 Metal Bar  
x2 Barre de métal  
x2 Barra de metal



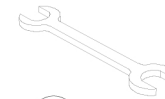
**C\***

x2 Metal Leg  
x2 Jambe en métal  
x2 Pata Metálica



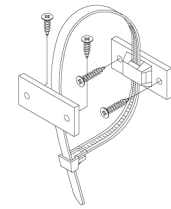
**D\***

x10 Bolt with Washer \*  
x10 Boulon Avec Rondelle  
x10 Perno con arandela



**E\***

x1 Spanner \*  
Clé  
Llave



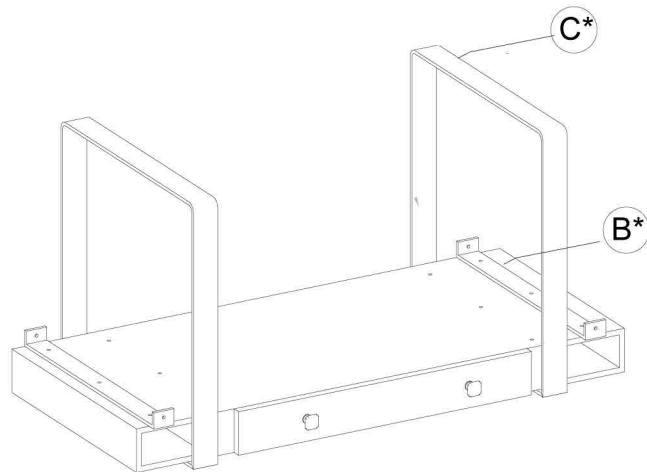
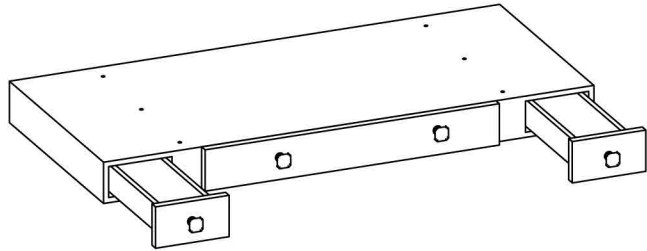
**F\***

x2 Furniture Tipping Restraint  
x2 Systeme antibasculément  
x2 Control para evitar vuelcos

\* Replaceable Part

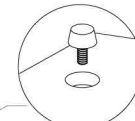
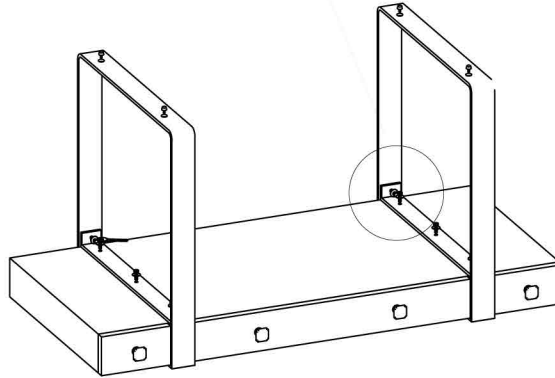
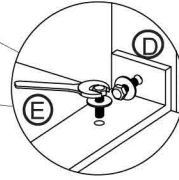
**ASSEMBLY INSTRUCTIONS / INSTRUCTIONS DE MONTAGE / INSTRUCCIONES DE MONTAJE**

**DESCRIPTION / DESCRIPCIÓN : DESK / BUREAU / ESCRITORIO**

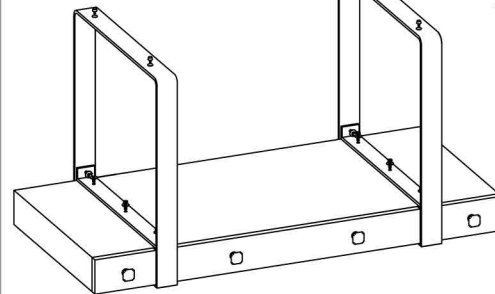


(D) Bolt with Washer ( 10 pcs.)\*  
Boulon Avec Rondelle ( x10)  
Perno con arandela ( x10)

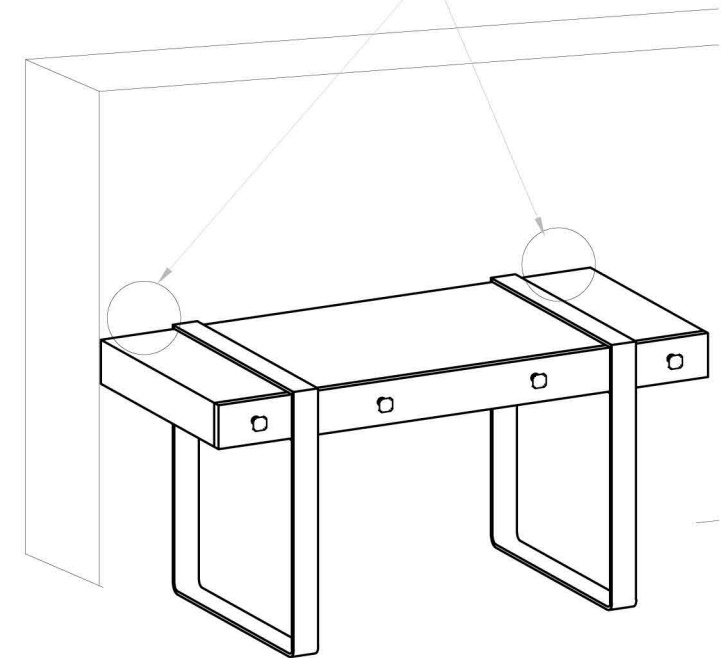
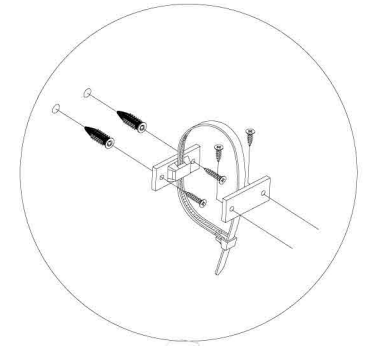
(E) Spanner ( 1 pc.)\*  
Clé ( x1)  
Llave ( x1)



RC-FC-Black Leveler (4 pcs.)\*  
Niveleur réglable ( x4)  
Nivelador ajustable ( x4)



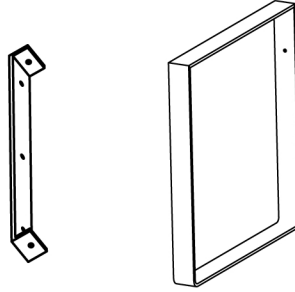
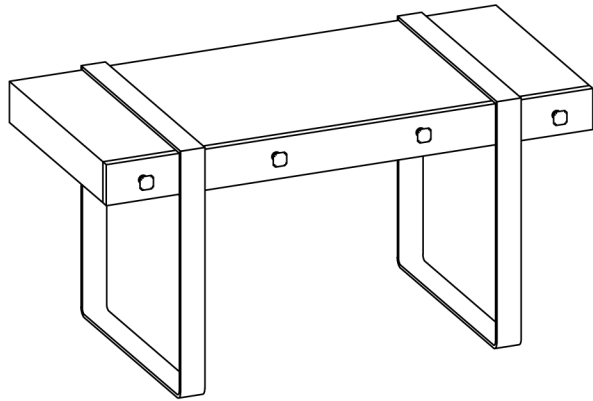
(F) Wall  
Mur  
Pared\*



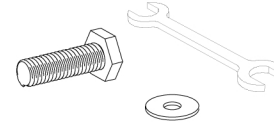
\* Replaceable Part

REPLACEABLE PART / PARTIE REMPLAÇABLE / PARTE REEMPLAZABLE

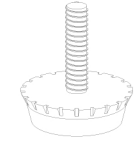
DESCRIPTION / DESCRIPCIÓN : DESK / BUREAU / ESCRITORIO



x2 RP301029-METAL BASE\*  
x2 Metal Base  
Base de métal  
Base Metálica



x10 RP301029-HARDWARE KIT\*  
x10 HARDWARE KIT  
QUINCAILLERIE  
JUEGO DE HERRAMIENTAS



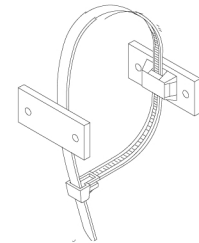
x4 RC-FG-BlackLeveler\*  
x4 Leveler  
Niveleur  
Nivelador



x4 RP301029-CHANNEL\*  
x4 Channel  
Canal  
Canal



x4 RP301029-KNOB\*  
x4 Knob with Screw  
Poignée et vis  
Tirador y Tornillo



x2 RC-ANTI-TIP\*  
x2 Anti-tipping Restraint  
Liste des pièces de quincaillerie  
antibasculement  
Lista del kit de materiales antivuelco

\* Replaceable Part

## **Protect Your Wood or Laminate Flooring**

\*This statement applies to any floor without carpet.

If not careful, all furniture including upholstery and case pieces can scratch, scuff and even gouge floors. The recommendation is to have felt, rubber pads or area rugs under furniture on flooring without carpet.

### **Moving your furniture**

Pushing and dragging furniture over floors without carpet can lead to scratches and scuffs. Have someone help when moving the larger pieces of furniture by lifting, try using a dolly or moving pads.

### **Felt and rubber pads**

Applying furniture pads to the feet of furniture helps cushion contact points. Furniture pads can be found at local hardware stores. Felt pads slide easily across the floor, making them ideal for dining chairs and other pieces that move with use. Rubber pads will help furniture stay in place and are perfect for larger pieces, like sofas and loveseats.

### **Area rugs and rug pads**

Using an area rug under furniture is another way to protect your floor from scratches and scuff marks. A rug pad under the area rug will provide extra cushion and added protection.