



PARTS LIST / LISTE DES PIÈCES / LISTA DE PIEZAS

DESCRIPTION / LA DESCRIPCION / DESCRIPCIÓN : NIGHTSTAND-TABLE DE CHEVET-MESA DE NOCHE

WARNING

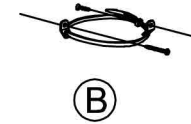
Children have died from furniture tip-over. To reduce the risk of furniture tip-over:

- ALWAYS install tip-over restraint provided.
- NEVER put a TV on this product.
- NEVER allow children to stand, climb or hang on drawers, doors, or shelves.
- NEVER open more than one drawer at a time.
- Place heaviest items in the lowest drawers.

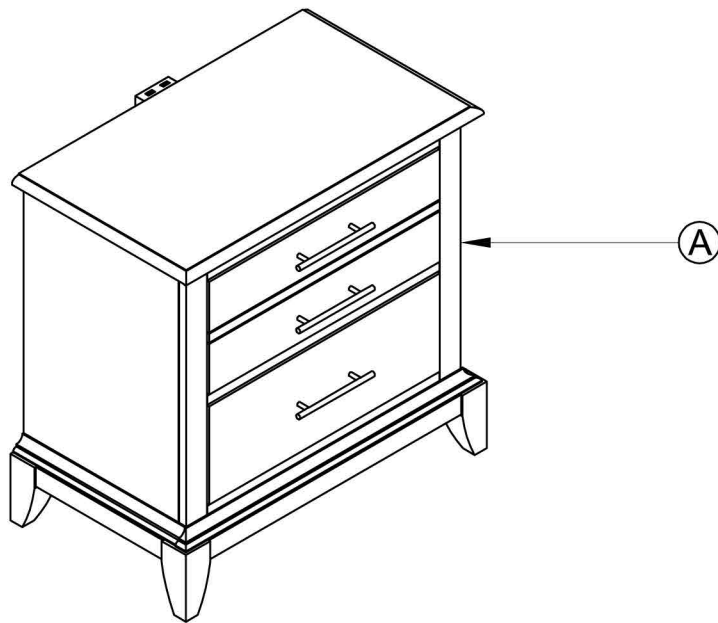
This is a permanent label. Do not remove!



x1 Nightstand
x1 Table de chevet
x1 Mesa de noche



x1 Furniture tipping restraint*
x1 Système antibasculement
x1 Control para evitar vuelcos

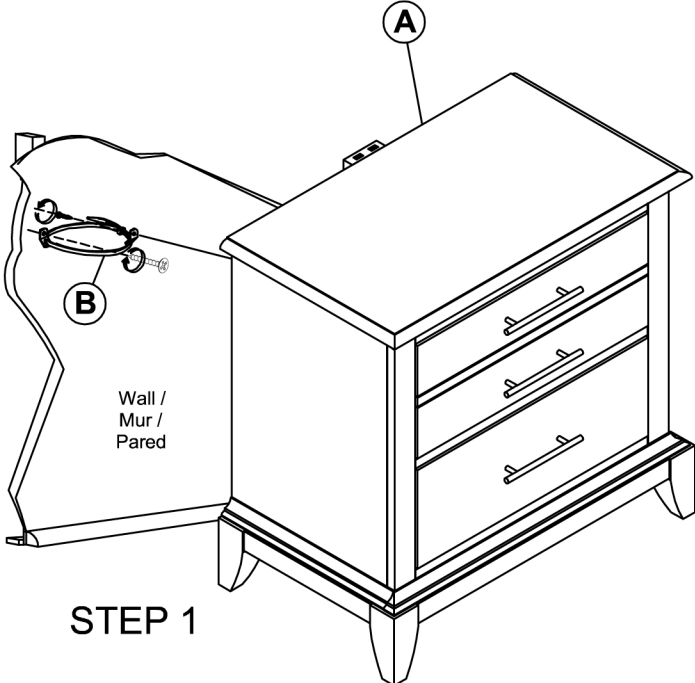


* Replaceable Part



ASSEMBLY INSTRUCTION / NOTICE DE MONTAGE/ INSTRUCCIONES DE MONTAJE

DESCRIPTION / LA DESCRIPCION / DESCRIPCIÓN : NIGHTSTAND-TABLE DE CHEVET-MESA DE NOCHE



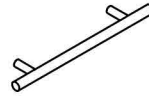
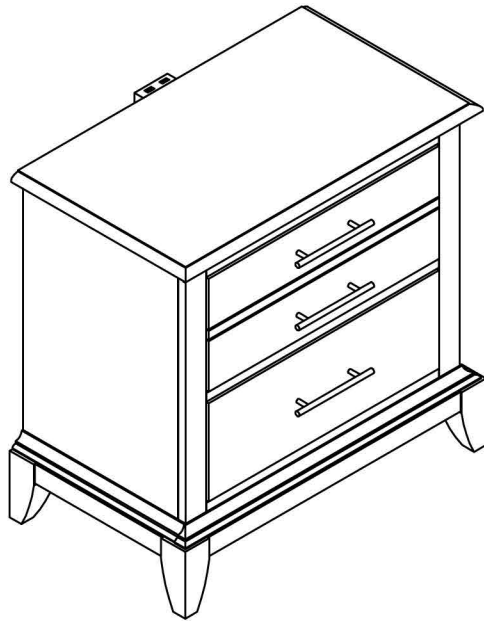
STEP 1

* Replaceable Part



REPLACEABLE PART/ PARTIE REMPLACABLE/ PARTE REEMPLAZABLE

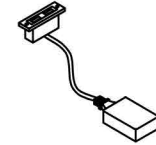
DESCRIPTION / LA DESCRIPCION / DESCRIPCIÓN : NIGHTSTAND-TABLE DE CHEVET-MESA DE NOCHE



x3 RS838-010- Pull - Pull with Screw *
Tirer et vis
Tire y Tornillo



x 2 COMGLIDE 10-35 Glide 10 inch 35mm *
Glissière
Carril de deslizamiento



x1 RS838-050-USB - Usb Port *
Prises USB
Conectores USB



x4 RC-BL-NAIL-Black Plastic Nail *
Clou en plastique
Clavo de plástico



x1 RC-ANTI-TIP Anti-tipping Restraint *
Liste des pièces de quincaillerie antibasculement
Lista del kit de materiales antivuelco

* Replaceable Part