

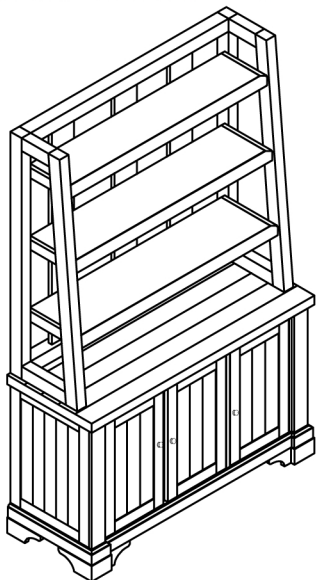
DESCRIPTION/ DESCRIPCION : Credenza Hutch/Crédence huche/Aparador credenza
Credenza Base/Base de crédence/Base de credenza

WARNING

Children have died from furniture tipover. To reduce the risk of furniture tipover:

- ALWAYS install tipover restraint provided.
- NEVER put a TV on this product.
- NEVER allow children to stand, climb or hang on drawers, doors, or shelves.
- NEVER open more than one drawer at a time.
- Place heaviest items in the lowest drawers.

This is a permanent label. Do not remove!



x3 RS786-010-KNOB-Knob with Screw
Poignée + Vis
Tirador + Tornillo *



x2 RS786-142-PLATE-Metal Plate 84*32*2mm
Plaque de métal 84*32*2mm
Placa de metal 84*32*2mm *



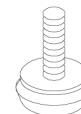
x1 RS786-142-HWKIT Hardware kit list
Liste des pièces de quincailleries
Lista del kit de materiales *



x2 RC-ANTI-TIP-Furniture Tipping Restraint
Système antibasculement
Control para evitar vuelcos *



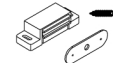
x8 RS786-142-PIN-Shelf pin
Batterie d'étagère
Batería de estantería *



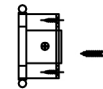
x2 RC-FG-WHITE-White leveler
Patin ré glable
Nivelador *



x2 RC-WH-NAIL- White Plastic nail
clou en plastique
clavo de plástico *



x3 RS786-142-CATCH-Door Catch
Pestillo de la puerta
Loquet de porte *



x6 RS786-142-HINGE-Door Hinge
Bisagra de la puerta
Charnière de porte *

* Replaceable Part

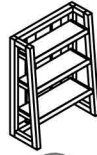
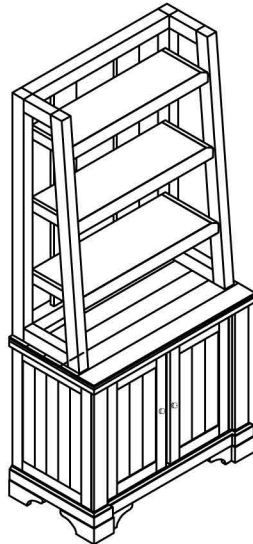
DESCRIPTION/ DESCRIPCION : Bookcase Hutch/Huche bibliothèque/Aparador de estantería
 Bookcase Base/Base de bibliothèque/Base de estantería

WARNING

Children have died from furniture tipover. To reduce the risk of furniture tipover:

- ALWAYS install tipover restraint provided.
- NEVER put a TV on this product.
- NEVER allow children to stand, climb or hang on drawers, doors, or shelves.
- NEVER open more than one drawer at a time.
- Place heaviest items in the lowest drawers.

This is a permanent label. Do not remove!



A

- x1 Credenza Hutch
- x1 Crédence huche
- x1 Aparador credenza



B

- x1 Credenza Base
- x1 Base de crédence
- x1 Base de credenza



C

- x2 Furniture Tipping Restraint *
- x2 Système antibasculement *
- x2 Control para evitar vuelcos



1

- x2 Metal Plate 84*32*2mm *
- x2 Plaque de métal 84*32*2mm *
- x2 Placa de metal 84*32*2mm



2

- x4 Flat washer Ø5/16**19mm *
- x4 Rondelle plate Ø5/16**19mm
- x4 Arandela plana Ø5/16**19*2mm



3

- x4 Lock washer Ø5/16**13*2mm *
- x4 Rondelle de blocage Ø5/16**13*2mm
- x4 Arandela de Seguridad Ø5/16**13*2mm



4

- x4 Flat Washer Ø5/16**19*2mm *
- x4 Rondelle Plate Ø5/16**19*2mm
- x4 Arandela Plana Ø5/16**19*2mm



5

- x1 Allen key M4 *
- x1 Clé hexagonale *
- x1 Llave Allen

*Replaceable Part

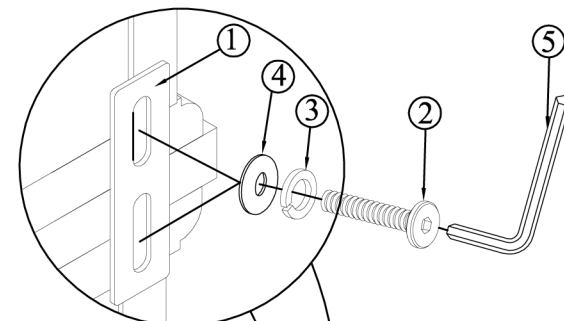
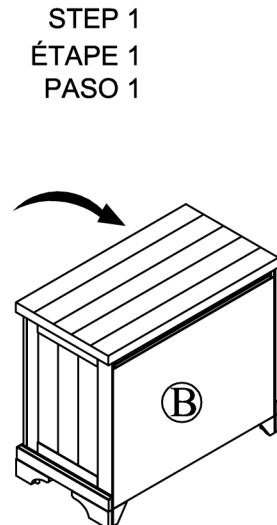
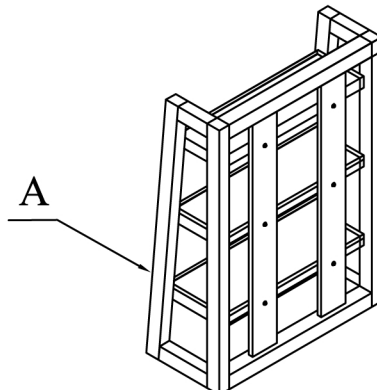
DESCRIPTION/ DESCRIPCION : Bookcase Hutch/Huche bibliothèque/Aparador de estantería
Bookcase Base/Base de bibliothèque/Base de estantería

⚠ WARNING

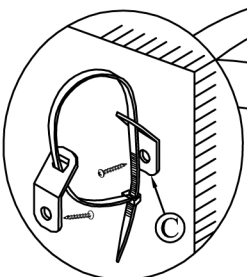
Children have died from furniture tipover. To reduce the risk of furniture tipover:

- ALWAYS install tipover restraint provided.
- NEVER put a TV on this product.
- NEVER allow children to stand, climb or hang on drawers, doors, or shelves.
- NEVER open more than one drawer at a time.
- Place heaviest items in the lowest drawers.

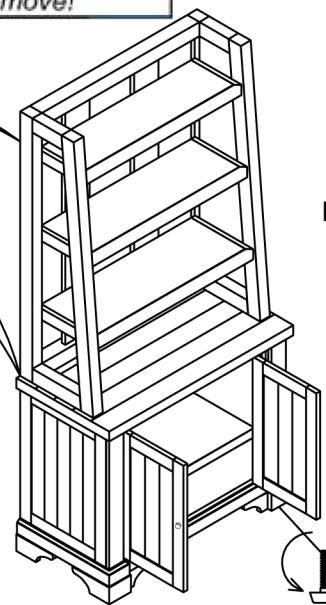
This is a permanent label. Do not remove!

STEP 2
ÉTAPE 2
PASO 2

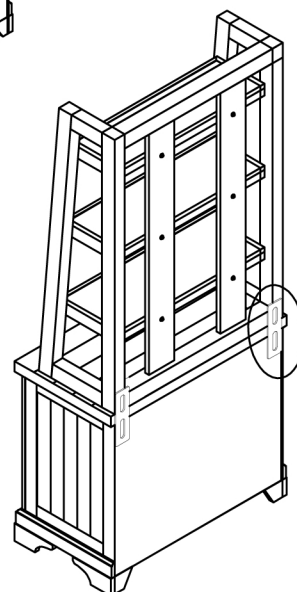


Furniture Tipping Restraint
Système antibasculement
Control para evitar vuelcos



STEP 3
ÉTAPE 3
PASO 3

Adjustable leveler
Patin réglable
Nivelador adjustable



* Replaceable Part