

All-Weather Polystyrene Adirondack Chair

ASSEMBLY INSTRUCTIONS

Before You Begin:

Please identify all component parts and hardware pieces required before you begin. Carefully remove all of the components from the packaging and set aside for assembly. Assemble on a soft surface to prevent scratching during assembly.

Caution:

Tighten all components securely before use. Failure to do so may result in personal injury. DO NOT use any sharp objects to open plastic wrapped components as damage to product or components may result.

Warning:

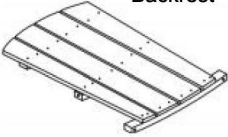
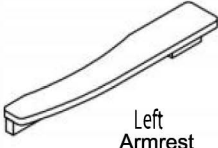
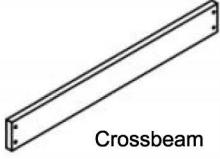
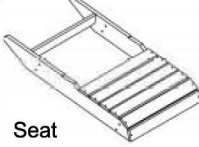

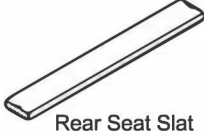


CHOKING HAZARD - Small Parts. Adult Assembly Required.

DO NOT ALLOW CHILDREN TO CLIMB ON FURNITURE

Serious or fatal injuries can occur from furniture tipping over. You must install Tipping Restraint Hardware (where included) to help prevent the unit from tipping and causing accidental injury, instability, death or damage. The tipping restraint is intended only as a safety measure, it is not a substitute for proper adult supervision.

To help prevent furniture from tipping over it must be permanently attached to the wall. Anti-Tip Safety Wall Straps suitable for the unit weight and wall materials (if not included) should be purchased and installed.

PARTS






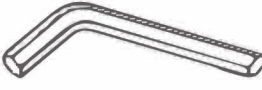
A	 Backrest	1PC	D	 Left Armrest	1PC	G	 Crossbeam	1PC
B	 Seat	1PC	E	 Back Supports	2PCS	H	 Rear Seat Slat	1PC
C	 Right Armrest	1PC	F	 Legs	2PCS			

TOOLS REQUIRED (not included)



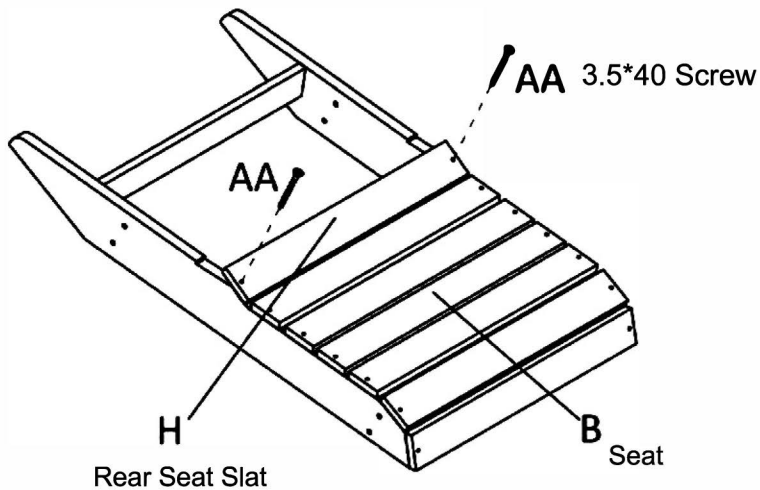
Phillips screwdriver

Hardware Included

AA	 3.5*40 Screw	6PCS	DD	 M6*60 Bolt	6PCS
BB	 M6*60 Bolt	2PCS	EE	 M6*45 Bolt	4PCS
CC	 M6*70 Bolt	2PCS	FF	 Allen Wrench	1PCS

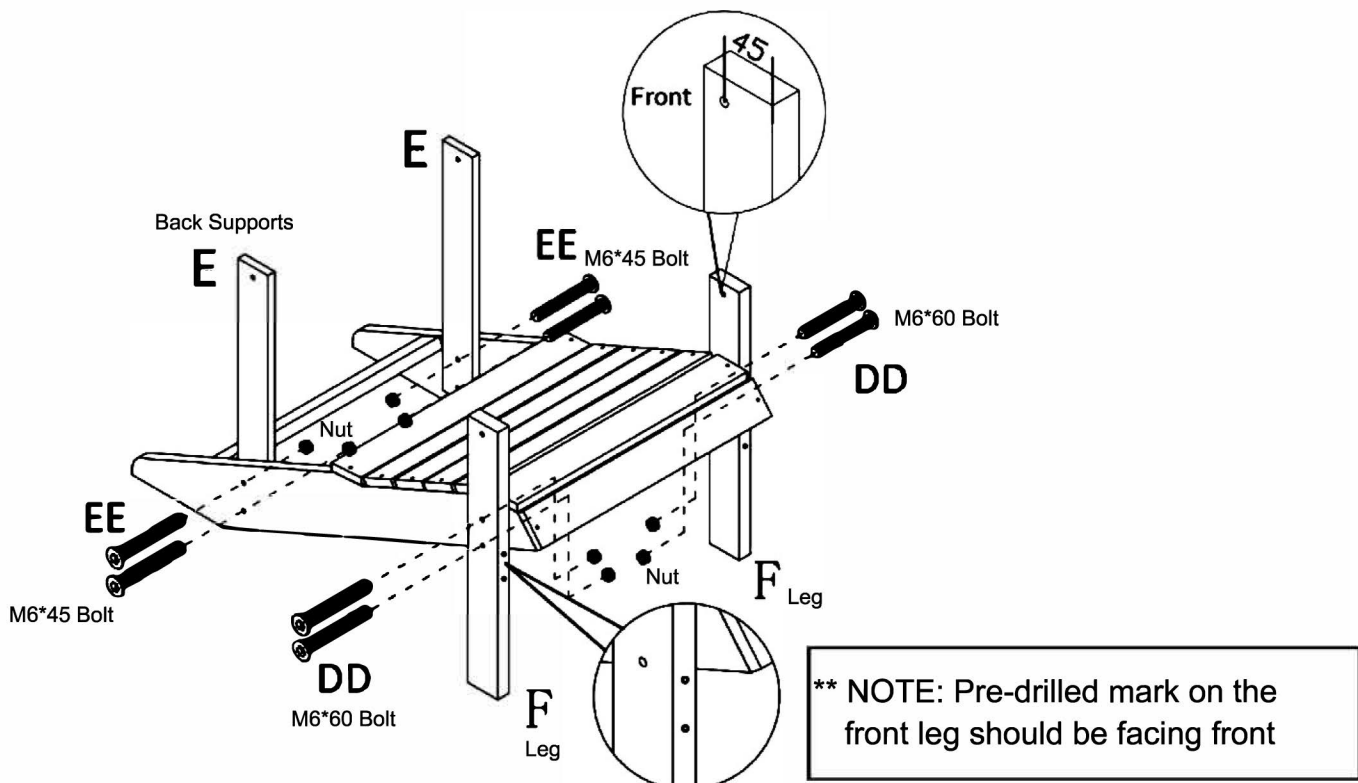
STEP 1

Attach the Rear Seat Slat (Part H) to the Seat (Part B) using (2) 3.5*40 Screws (Part AA) and a Phillips Screwdriver (not included).



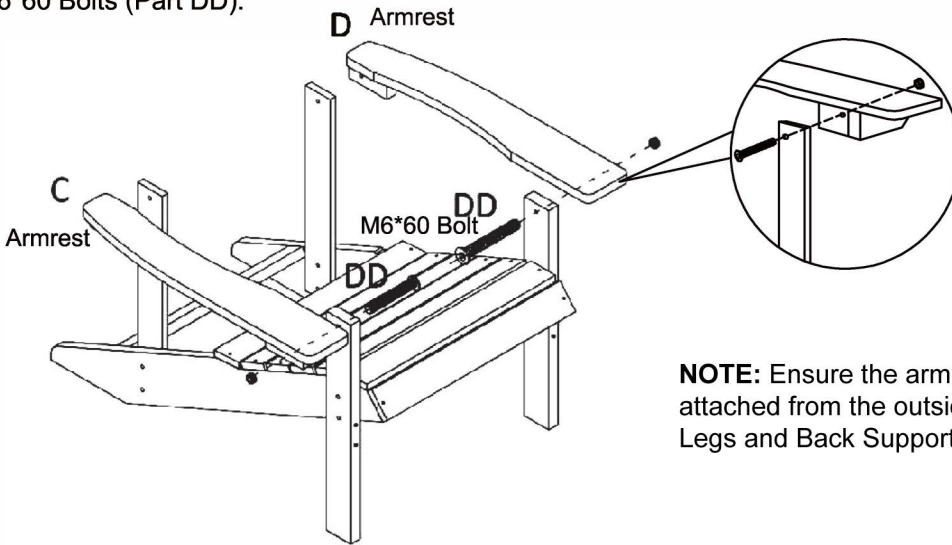
STEP 2

Attach the Legs (Part F) to the Seat (Part B) using (4) M6*60 Bolts (Part DD). Attach the Back Supports (Part E) to the Seat (Part B) using (4) M6*45 Bolts (Part EE).



STEP 3

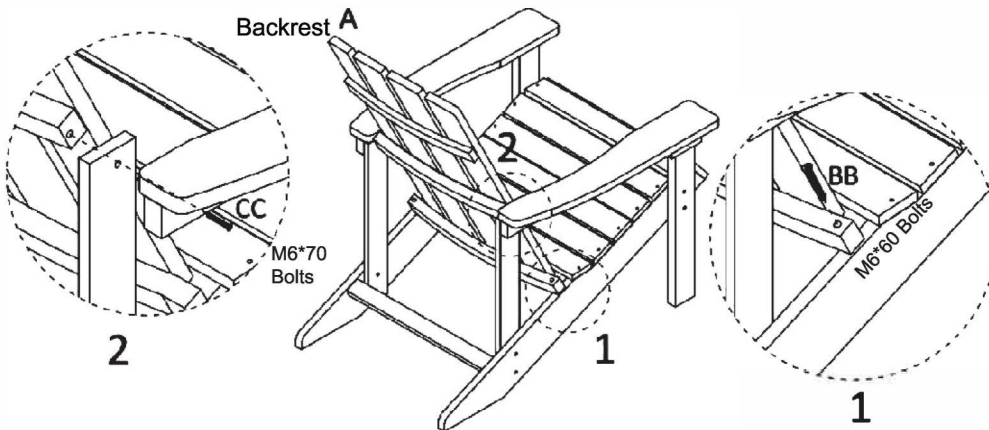
Attach the Right Armrest (Part C) and Left Armrest (Part D) to the Legs (Part F) using (2) M6*60 Bolts (Part DD).



NOTE: Ensure the armrests are attached from the outside of the Legs and Back Supports.

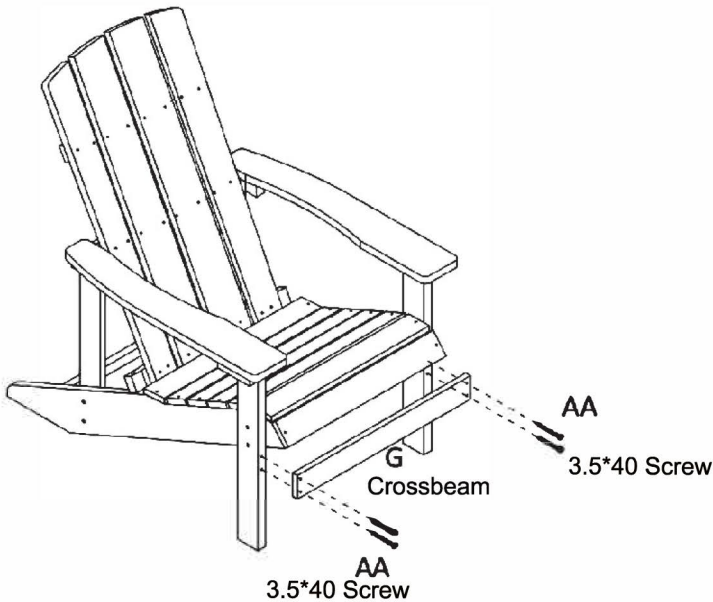
STEP 4

Attach the Backrest (Part A) to the Seat (Part B) using (2) M6*60 Bolts (Part BB).
Attach the Armrests (Part C) and (Part D) to the Backrest (Part A) using (2) M6*70 Bolts (Part CC).



STEP 5

Attach the Crossbeam (Part G) to the Legs (Part F) using (4) 3.5*40 Screws (Part AA) and a Phillips Screwdriver.



Quality and Safety Guidelines:

- Please follow the static and dynamic weight capacity limits provided on this item.
- Please use this item on a stable, level surface only. All chair legs should contact the flooring surface when in use. Do not use this item if any instability is detected.
- This chair is not intended for reclined positions. To prevent accidental tipping, do not push backward or forward while seated.
- This item is intended for sitting only, do not climb or stand on this item.
- For product longevity, product safety and product integrity, protect from extended periods of wet weather and store indoors in a dry location.