



CASWELL™ 7" WALL MOUNT TUB SPOUT

Modern Caswell™

CA2217

FEATURES

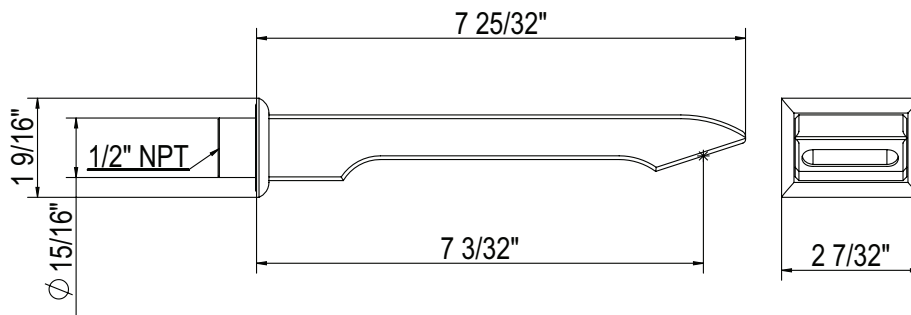
- 7 3/32" reach wall mount tub spout
- 1/2" NPT female inlet
- Brass construction
- Tub spout outlet has aerated flow

COLORS/FINISHES

- Polished Chrome
- Polished Nickel
- Satin Nickel

WARRANTY

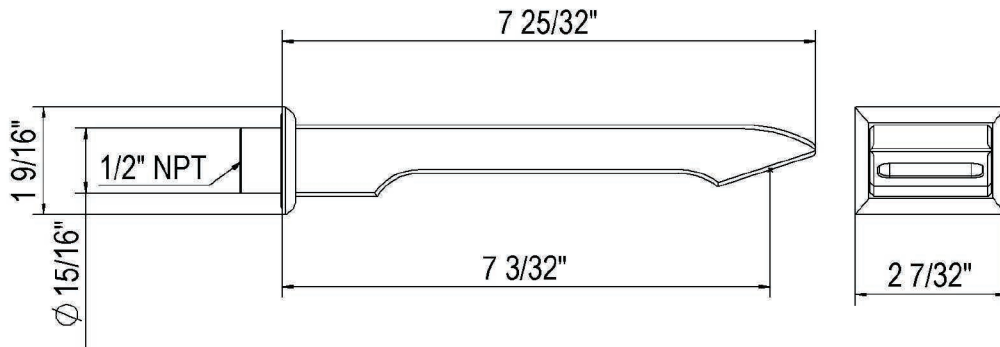
- Limited Lifetime



Installation Instructions

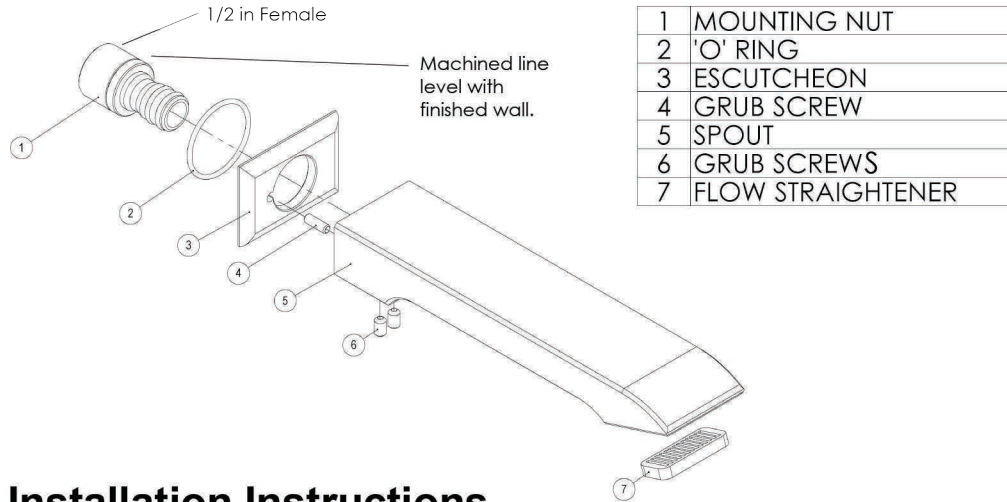
ROHL CASWELL WALL MOUNTED TUB SPOUT CA2217APC, CA2217PN, CA2217STN

INSTALLATION INSTRUCTIONS



Please leave instructions with the home owner once installed.

Installation Instructions



Installation Instructions

1. Remove mounting nut #1.
 - a. loosen off grub screws #6 until nearly out to ensure the grub screws do not cut the o-rings on the mounting nut.
2. Install mounting nut #1 to supply line using a 10mm Allen key. (Not supplied.)
 - a. Note: **Machined line on mounting nut to be level with finished wall as shown.**
3. Apply grease to o-rings on mounting nut. (Not supplied.)
4. Position escutcheon #3 to wall and ensure o-ring #2 is in place.
 - a. Note: spout location in escutcheon.
5. Install the spout #5.
6. Position spout and escutcheon and tighten the 2 grub screws #6.

After Installation:

Test with water running.

Care and Maintenance: After use, wipe down with a soft, dry cloth.

For all chrome plated surfaces we recommend cleaning this product with warm soapy water and then dry with a dry soft cloth.

Nickel plated, satin and Inca brass finishes should be cleaned with a soft cloth and warm water and then dried with a dry soft cloth.

Do not use cream cleaners or cleaning agents containing a corrosive acid or scouring agent including, Softscrub, Comet, Ajax and Bonami, as these may damage the surface of the faucet.

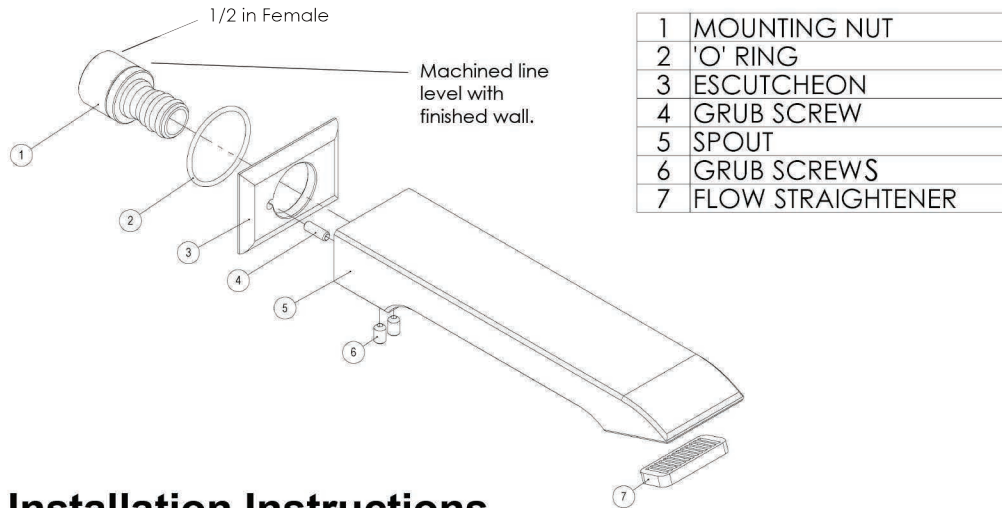
Do not use any spray cleaners with ammonia or alcohol like Windex, 409 or Fantastik.

Any use of unsuitable cleaning agents causing damage to the surface will not be covered by the warranty.

WARRANTY: Warranty is limited lifetime. See ROHL website for details (www.rohlhome.com)

A basic in-line filter system is required for the house to protect any debris from entering the water supply line to the house. (i.e. due to construction or service work on the street water main.)

Installation Instructions



Installation Instructions

1. Remove mounting nut #1.
 - a. loosen off grub screws #6 until nearly out to ensure the grub screws do not cut the o-rings on the mounting nut.
2. Install mounting nut #1 to supply line using a 10mm Allen key. (Not supplied.)
 - a. Note: **Machined line on mounting nut to be level with finished wall as shown.**
3. Apply grease to o-rings on mounting nut. (Not supplied.)
4. Position escutcheon #3 to wall and ensure o-ring #2 is in place.
 - a. Note: spout location in escutcheon.
5. Install the spout #5.
6. Position spout and escutcheon and tighten the 2 grub screws #6.

After Installation:

Test with water running.

Care and Maintenance: After use, wipe down with a soft, dry cloth.

For all chrome plated surfaces we recommend cleaning this product with warm soapy water and then dry with a dry soft cloth.

Nickel plated, satin and Inca brass finishes should be cleaned with a soft cloth and warm water and then dried with a dry soft cloth.

Do not use cream cleaners or cleaning agents containing a corrosive acid or scouring agent including, Softscrub, Comet, Ajax and Bonami, as these may damage the surface of the faucet.

Do not use any spray cleaners with ammonia or alcohol like Windex, 409 or Fantastik.

Any use of unsuitable cleaning agents causing damage to the surface will not be covered by the warranty.

WARRANTY: Warranty is limited lifetime. See ROHL website for details (www.rohlhome.com)

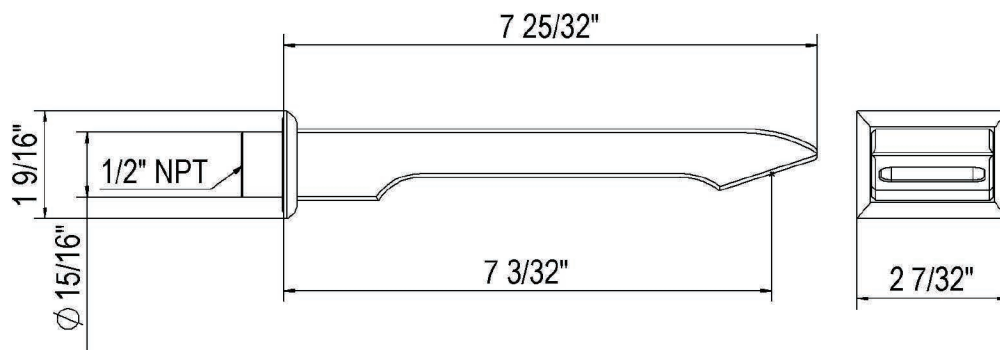
A basic in-line filter system is required for the house to protect any debris from entering the water supply line to the house. (i.e. due to construction or service work on the street water main.)

Installation Instructions

ROHL CASWELL WALL MOUNTED TUB SPOUT

CA2217APC, CA2217PN, CA2217STN

INSTALLATION INSTRUCTIONS



Please leave instructions with the home owner once installed.