

ROHL

Authentic Luxury for Kitchen and Bath®

www.ferguson.com



MATHESON™ MLKIT40LM

Transitional Matheson™

MLKIT40LM

FEATURES

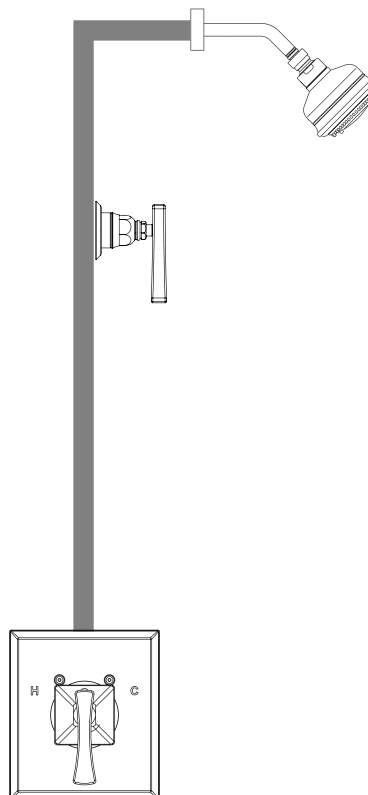
- Kit Includes:
 - ML2027LM Thermostatic Trim
 - ML2019LMTO Volume Control Trim
 - 1442/6 Shower Arm
 - B240NSH Showerhead
- Must order roughs to complete package
 - R1085BO Conceal Therm Rough
 - R1040R Volume Control Rough

COLORS/FINISHES

- Polished Chrome
- Polished Nickel
- Satin Nickel

WARRANTY

- Limited Lifetime





3 1/2" Master-Flow Showerhead

ROHL Shower

B240NSH

FEATURES

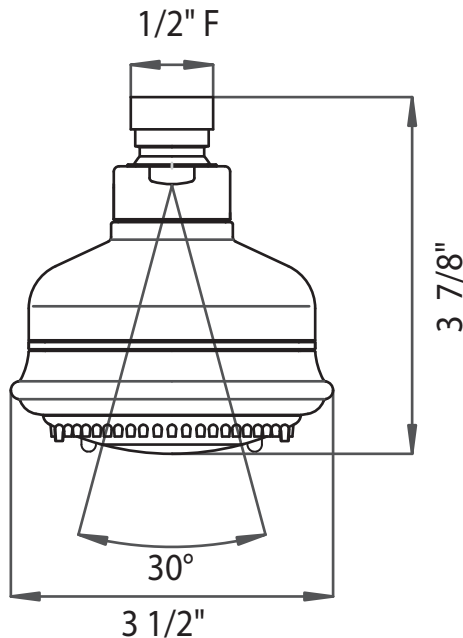
- 3-function spray patterns
 - Classic Spray
 - Nebulizer Mist
 - Massage
- 1/2" female swivel connection
- Cleaning wrench included
- Flow rate 2.0 GPM
- Anti-calcium components
- Inca Brass not available
- Cleaning wrench included

COLORS/FINISHES

- Polished Chrome
- Polished Nickel
- Satin Nickel
- Tuscan Brass

WARRANTY

- Two years on manufacturer defects
- No warranty on Tuscan Brass finish



ROHL

Authentic Luxury for Kitchen and Bath®

www.ferguson.com



MATHESON™ TRIM ONLY FOR CONCEALED
THERMOSTATIC/NON-VOLUME CONTROLLED VALVE

Transitional Matheson™

ML2027LM

FEATURES

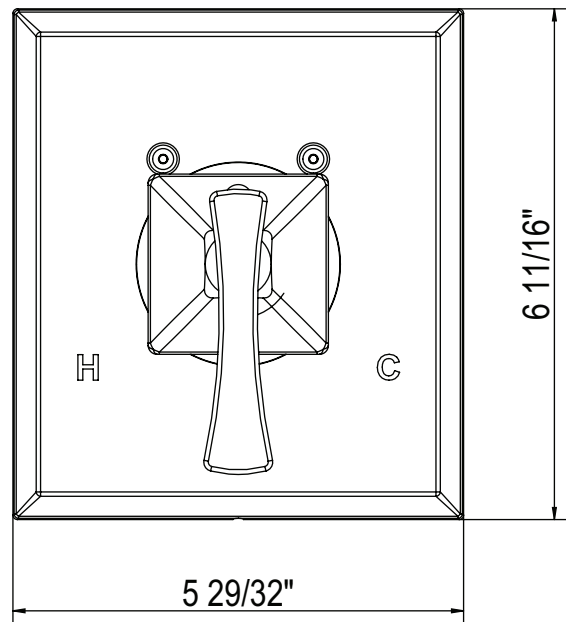
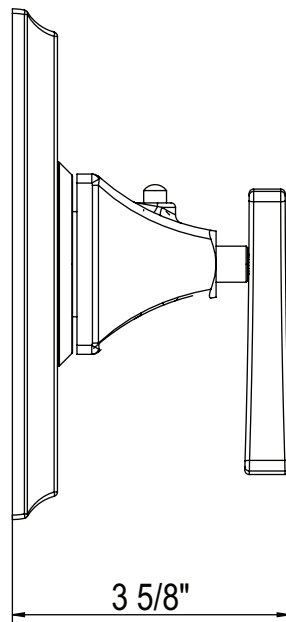
- Trimplate and temperature control metal lever handle for R1085BO rough
- Components made of solid brass
- Complete with trimplate, escutcheon and handle
- Temperature control includes pre-set safety stop with override
- Must order R1085BO rough to complete package
- Extension kit included for installation with R1085BO universal rough valve

COLORS/FINISHES

- Polished Chrome
- Polished Nickel
- Satin Nickel

WARRANTY

- Limited Lifetime



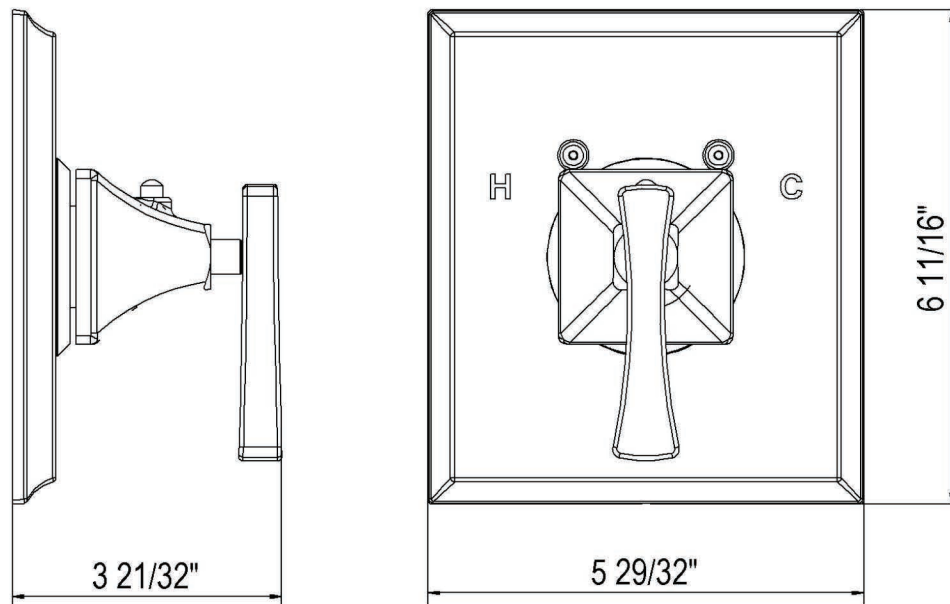
Installation Instructions

ROHL MATHESON THERMOSTATIC SHOWER TRIM SET

ML2027LMAPC, ML2027LMPN, ML2027LMSTN

For Thermostatic Valve Rough R1085BO

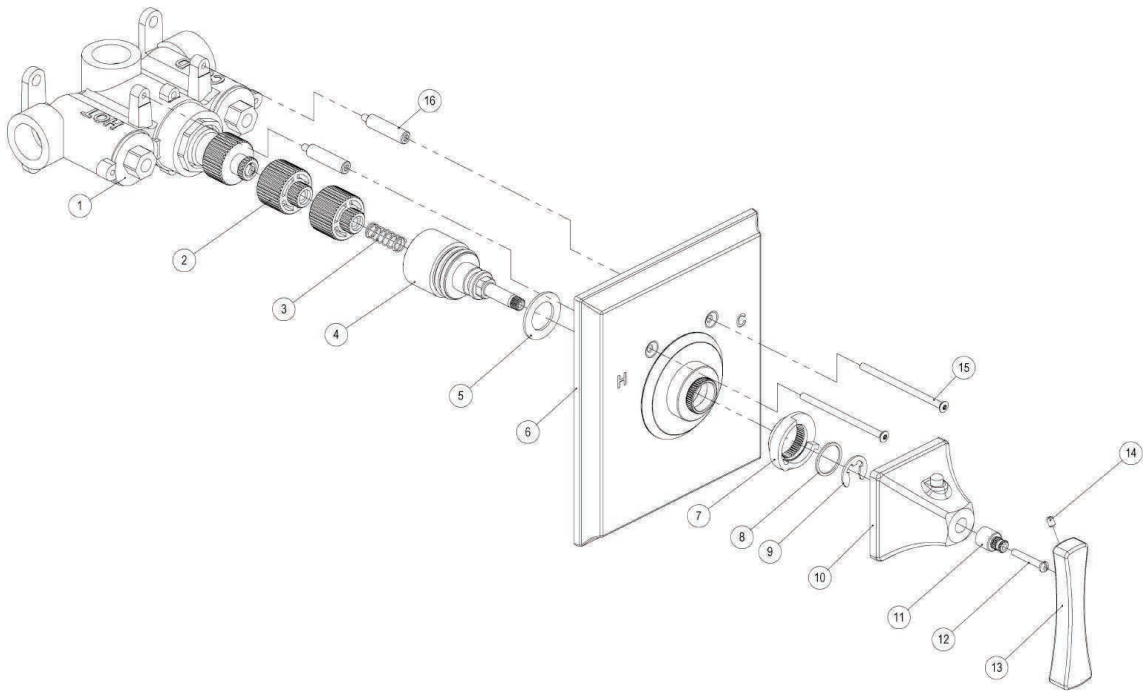
INSTALLATION INSTRUCTIONS



Please leave instructions with the home owner once installed.

#41916 01/14

Installation Instructions



1	THERMOSTATIC VALVE (NOT INCLUDED)
2	ADAPTOR
3	SPRING
4	SPINDLE
5	PLASTIC WASHER
6	FACEPLATE
7	THERMOSTATIC STOP
8	PLASTIC WASHER
9	'C' - RING
10	LEVER ESCUTCHEON
11	LEVER INTERFACE SPACER
12	PAN HEAD SCREW
13	LEVER
14	GRUB SCREW
15	MOUNTING SCREW X 2
16	EXTENSION POLE X 2

Installation Instructions

Installation Instructions

- Attention Installer: the Thermostatic trim kit is assembled at the factory. The only loose parts are the extension kit parts, #2, #3 and #16 and the mounting screws #15.
- An exploded view is provided for parts #4 through #15.
- Please note: Parts #2, #3 and #16 are optional, if needed.
- #2 is the white nylon extension. There are two. If not needed then discard.
- #3 is a spring that helps retain #2 in the dome assembly. IF not needed, then discard.
- #15 are the face plate screw extensions. If not needed then discard.
- If the parts #2, #3 and #16 are not in the trim kit, then order C7913SET at no charge from ROHL.
- Applying a small bead of silicone on the back of the faceplate #6 is recommended.

Care and Maintenance: After use, wipe down with a soft, dry cloth.

For all chrome plated surfaces clean this product with warm soapy water and then dry with a dry soft cloth.

Nickel plated, satin and Inca brass finishes should be cleaned with a soft cloth and warm water and then dried with a dry soft cloth.

Do not use cream cleaners or cleaning agents containing a corrosive acid or scouring agent including: Softscrub, Comet, Ajax and Bonami, as these may damage the surface of the faucet.

Do not use any spray cleaners with ammonia or alcohol like Windex, 409 or Fantastik.

Any use of unsuitable cleaning agents causing damage to the surface will not be covered by the warranty.

WARRANTY: Warranty is limited lifetime. See ROHL website for details. (www.rohlhome.com)

A basic in-line filter system is required for the house to protect any debris from entering the water supply line to the house (i.e. due to construction or service work on the street water main).



MATHESON™ TRIM ONLY FOR VOLUME CONTROL AND 4-PORT DEDICATED DIVERTER

Transitional Matheson™

ML2019LMTO

FEATURES

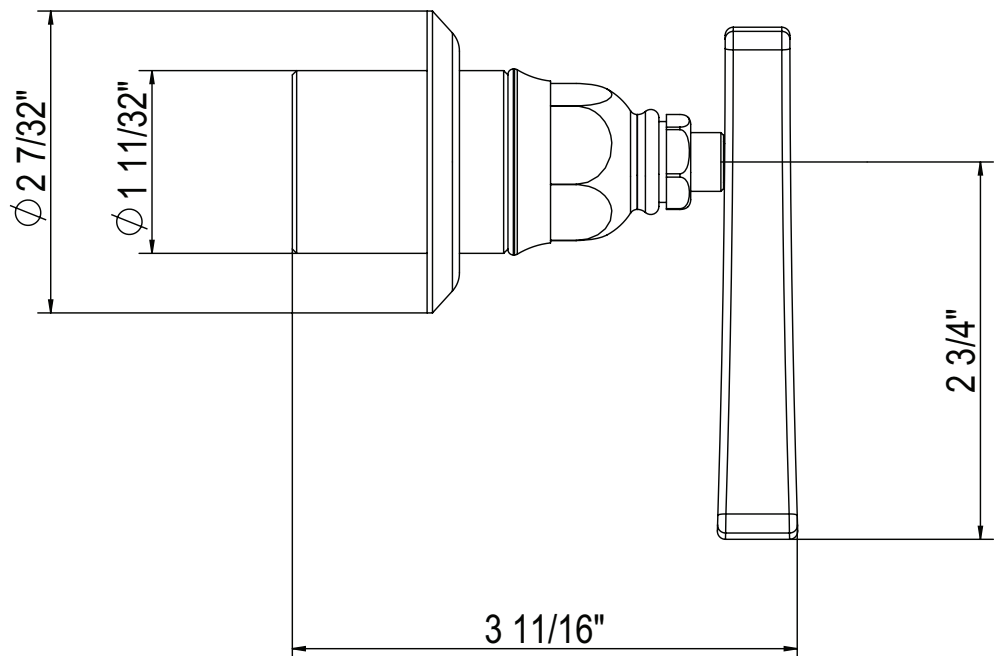
- Escutcheon, dome and metal lever handle only to:
 - R1040R 3/4" volume control rough
 - R1062BO dedicated 4-port, 3-way diverter rough
- Brass components
- Must order rough to complete package

COLORS/FINISHES

- Polished Chrome
- Polished Nickel
- Satin Nickel

WARRANTY

- Limited Lifetime



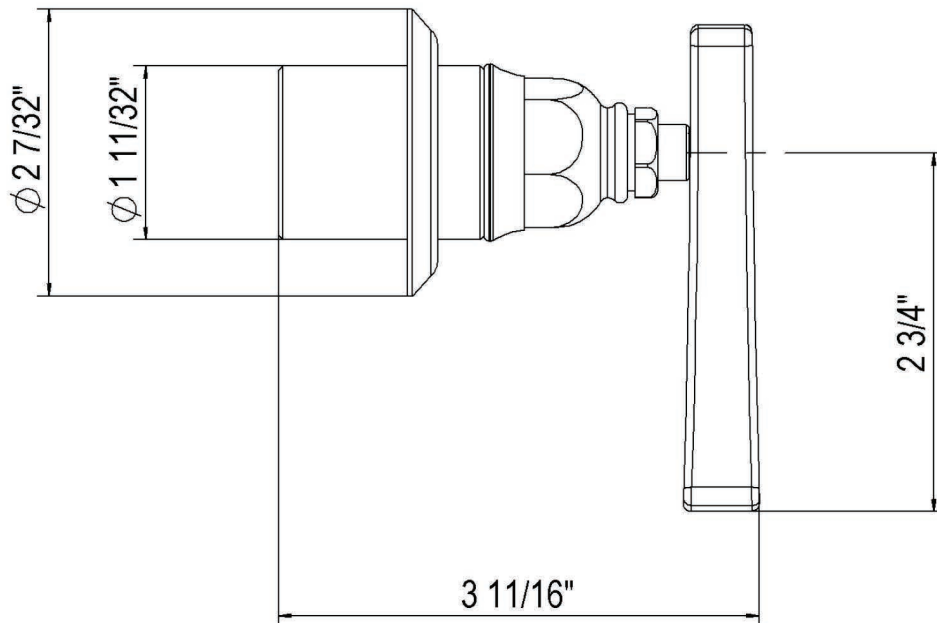
Installation Instructions

ROHL MATHESON VOLUME CONTROL AND DIVERTER VALVE TRIM SETS

ML2019LMAPCTO, ML2019LMPNTO, ML2019LMSTNTO

For Volume Control Rough Valve R1040R and
Diverter Valve R1062BO

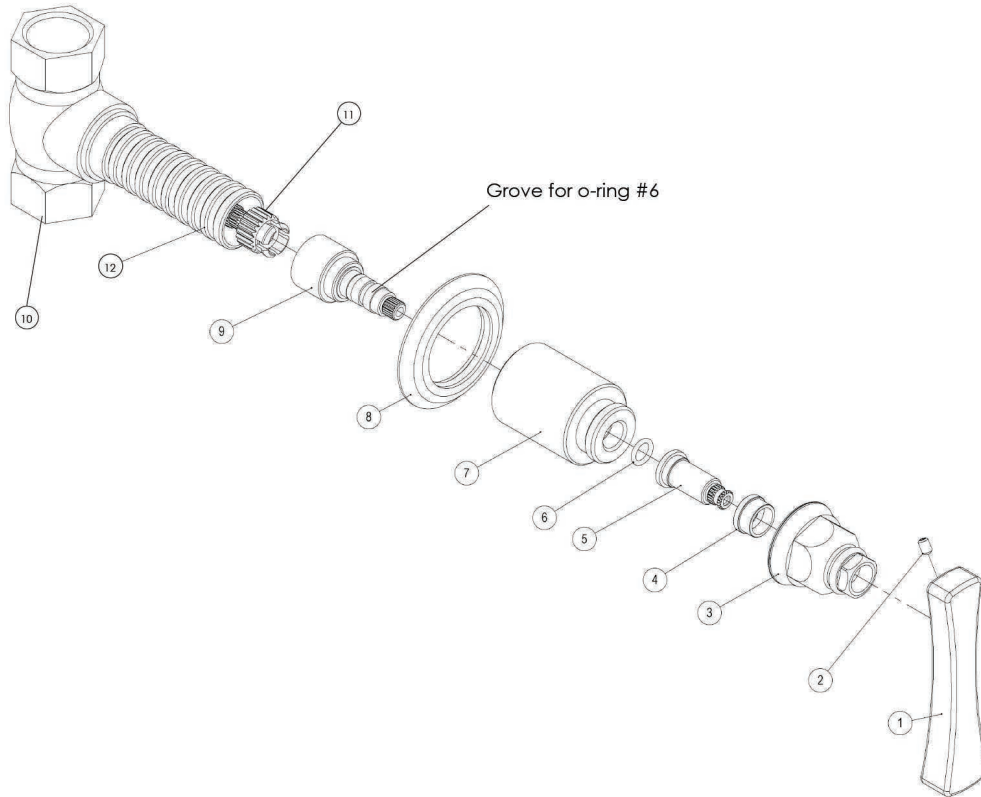
INSTALLATION INSTRUCTIONS



Please leave instructions with the home owner once installed.

#41919 01/14

Installation Instructions



1	LEVER
2	GRUB SCREW
3	TRIM NUT
4	PLASTIC BEARING SLEEVE
5	SPINDLE
6	'O'RING
7	SLEEVE
8	ESCUTCHEON
9	SPINDLE ADAPTER
10	VOLUME CONTROL VALVE - NOT INCLUDED
11	R30083
12	R3-056
13	DIVERTER VALVE (NOT SHOWN)

Installation Instructions

Installation Instructions

Attention Installer: the trim kit is assembled at the factory. The only loose part is the sliding escutcheon, #8.

An exploded view is provided if there are parts that are needed in the future.

Please ensure the threads on the cartridge rough are clean, and screw the assembly onto the rough.

Please note: if the assembly is not fully secured, the lever might appear loose. Make sure the assembly is secure.

The black plastic adaptor #11 on the rough is delivered with the rough. If you need a spare, order R30083.

The extension kit #12 is included with rough. If additional extension is needed, order R3-056 ROHL 2 5/8" EXTENSION KIT.

Applying a small bead of silicone on the back of the escutcheon is recommended.

Care and Maintenance: After use, wipe down with a soft, dry cloth.

For all chrome plated surfaces clean this product with warm soapy water and then dry with a dry soft cloth.

Nickel plated, satin and Inca brass finishes should be cleaned with a soft cloth and warm water and then dried with a dry soft cloth.

Do not use cream cleaners or cleaning agents containing a corrosive acid or scouring agent including: Softscrub, Comet, Ajax and Bonami, as these may damage the surface of the faucet.

Do not use any spray cleaners with ammonia or alcohol like Windex, 409 or Fantastik.

Any use of unsuitable cleaning agents causing damage to the surface will not be covered by the warranty.

WARRANTY: Warranty is limited lifetime. See ROHL website for details. (www.rohlhome.com)

A basic in-line filter system is required for the house to protect any debris from entering the water supply line to the house (i.e. due to construction or service work on the street water main).