



## CISTERN LEVER

Bath Fixtures



U.6796

### FEATURES

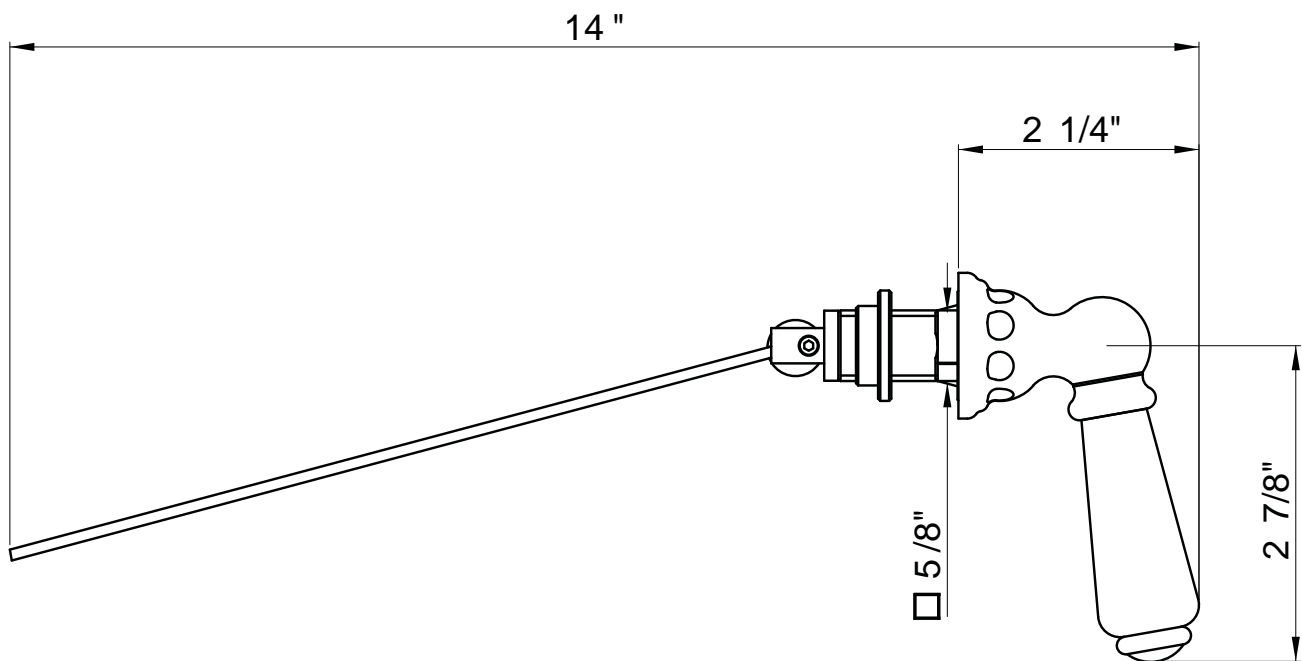
- Made in England
- Use with U.2936 or U.2866 cistern tanks
- Includes both porcelain and metal inserts

### COLORS/FINISHES

- Polished Chrome
- Polished Nickel
- Satin Nickel
- Inca Brass
- English Bronze

### WARRANTY

- Limited Lifetime



## Perrin & Rowe Cistern toilet lever Installation Instructions.



1. Insert threaded stud thru hole in the tank.



2. From inside of the tank insert plastic nut  
**NOTE:** Do not tight at this time.



3. Insert lever thru threaded stud, align lever at desired position.

**NOTE:** Lever can be set to the Front or Back



4. Insert white O-ring



5. Insert screw



6. Attach the stem and tighten the screw, also tighten plastic nut and align lever at desired position.



7. Attached chain from the flapper or Tank ball lift wire to the stem.

**NOTE:** Reposition hook on the chain if necessary.

8. Test Flush by tripping the tank lever handle.

#### IMPORTANT

This tank levers is designed in such a way that the positioned it would be away from the water when assembled. Depending on the water level inside your tank, this may result in the arm resting in the water. Since the arm is made of a non-corrosive material which will not rust, this will not cause any concern. Though not required, you may cut the arm to a desired length once you have determined the proper position of the arm and the flapper hook. Be sure to test the operation of the tank lever before shortening it by flushing your toilet a several times.

#### CLEANING

Clean the chromium plated surface with soap and water or with mild liquids detergent. Do not use any abrasive cleaners or chloride bleach.

The gold plated or nickel plated surfaces: even if the make on thickness way; must be cleaned only with a damp cloth or with a non abrasive and acid fluid diluted. Use the same cleaning procedure for all other finishing including Satin nickel, Inca brass.

**WARNING:** the use of cleaning products not recommended might irreparably harm the surface of the faucets which in such case are not covered by our warranty.

**ROHL**  
Authentic Luxury for Kitchen and Bath™

3 Parker, Irvine CA 92618 (714)557-1933 / (714) 5578635 www.rohlhome.com