



## Perrin & Rowe® Exposed Shower Package

ROHL Perrin & Rowe® Bath

**U.KIT3L** (Lever Handles)

**U.KIT3X** (Cross Handles)

### FEATURES

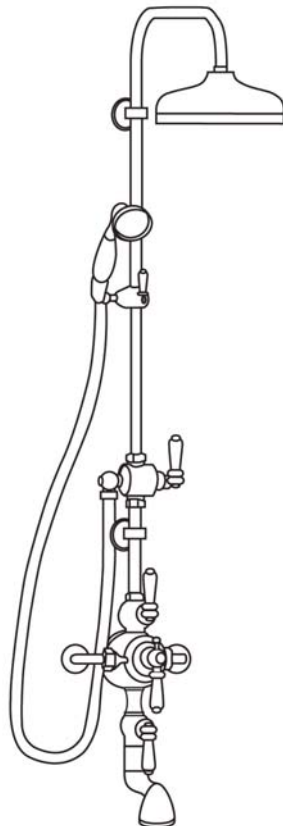
- Shower package components:
  - U.3552L or U.3556X - Exposed Therm Mixer
  - U.5373 - Diverter, Handshower, & Parking Bracket
  - U.5381 - 63" Riser
  - U.5205 - 8" Showerhead

### COLORS/FINISHES

- Polished Chrome
- Polished Nickel
- Satin Nickel
- English Bronze
- Inca Brass

### WARRANTY

- See individual component specs for warranty





## Exposed Wall Mounted Thermostatic Tub/Shower Mixer with Cross Handles

ROHL Perrin & Rowe Bath

### U.3556X

#### FEATURES

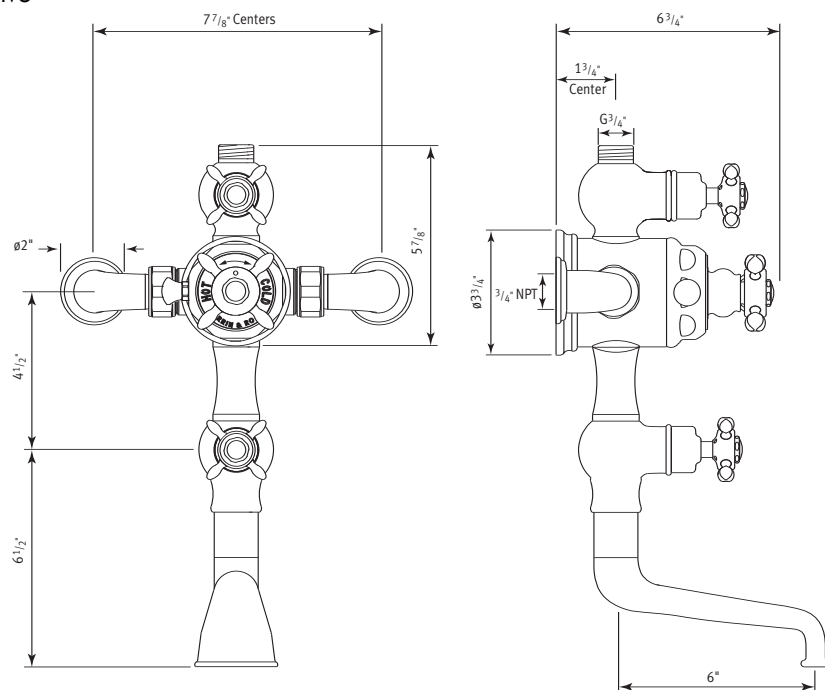
- Tub spout with 1/4-turn volume control pre-mounted
- Inlets 7 7/8" center-to-center
- Inlets 3/4" female NPT
- Inlets fitted with non return valves and strainers
- True 3/4" inlets and waterways for high output
- CNC machined from solid brass bar stock—not cast
- Exposed thermostatic valve
- Volume control
- 14-16 GPM

#### FINISHES

- Polished Chrome
- Polished Nickel
- Satin Nickel
- Inca Brass
- English Bronze

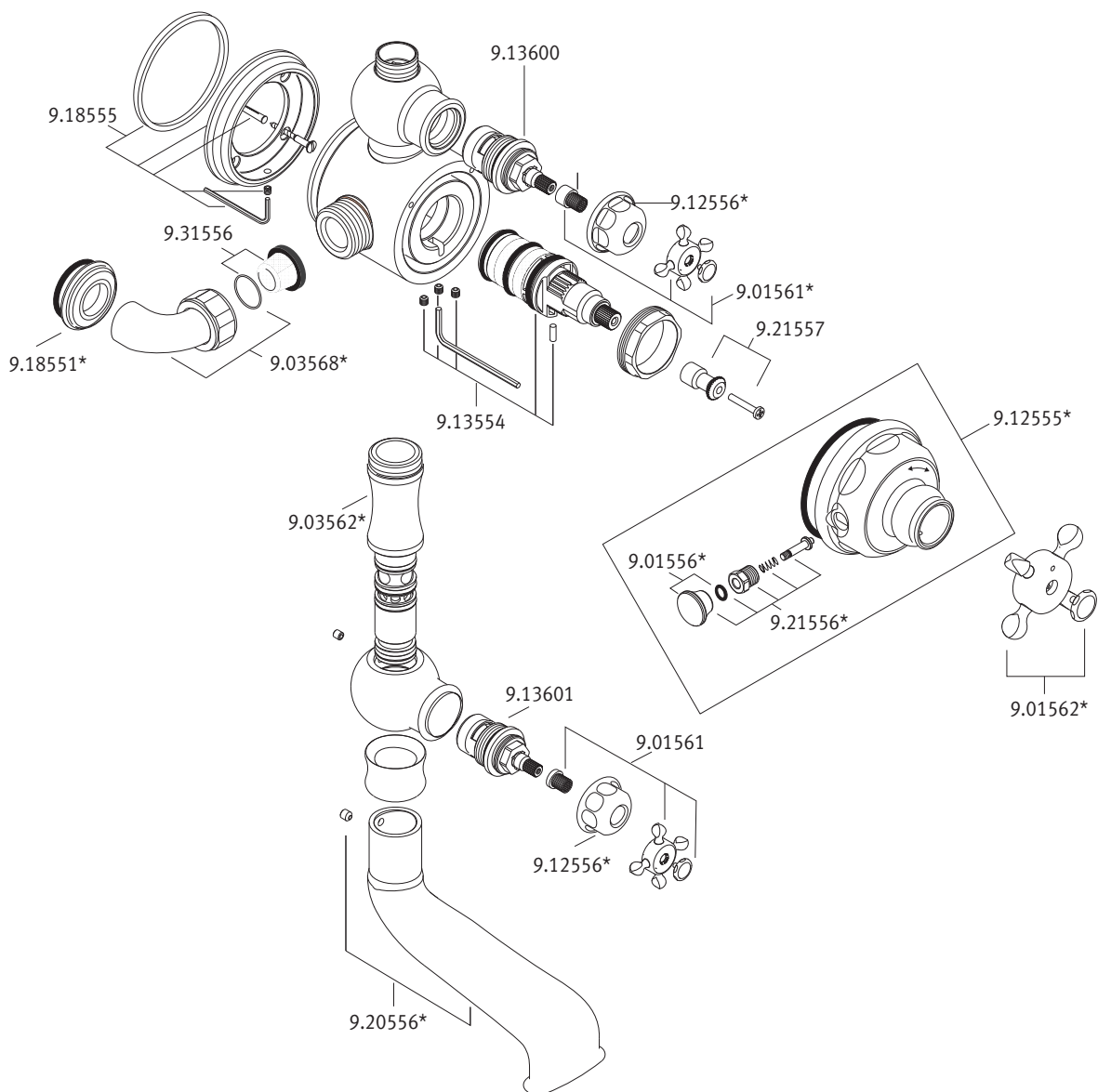
#### WARRANTY

- Limited Lifetime



## U.3556X Spare Parts

Where \* Indicated Specify Color.





## Riser Diverter Kit Including U.5383 And U.5394

ROHL Perrin & Rowe Bath

### U.5373 (Porcelain levers and Handshower) U.5373LS (Metal levers and handshower)

#### FEATURES

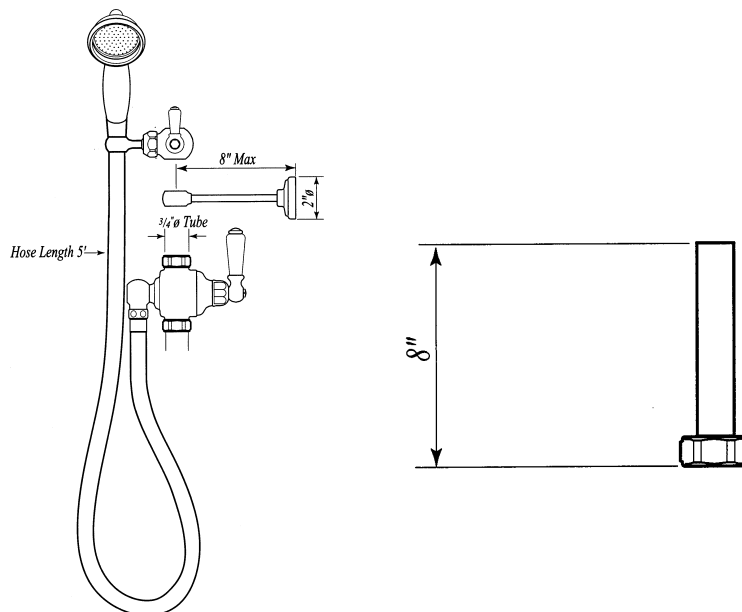
- 8" riser outlet and riser diverter package for exposed thermostatic shower package or exposed tub/shower valve packages
- 60" hose

#### COLORS/FINISHES

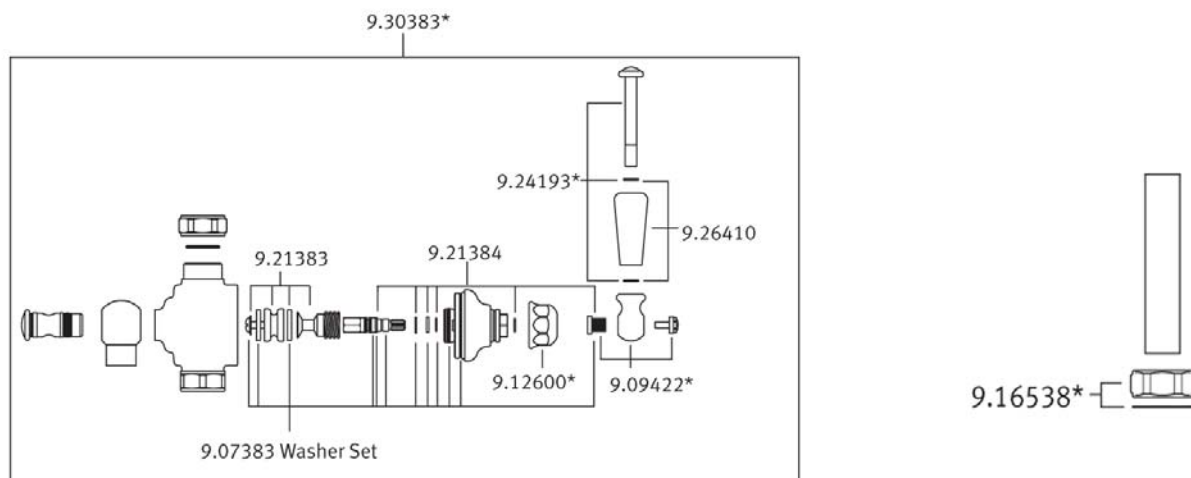
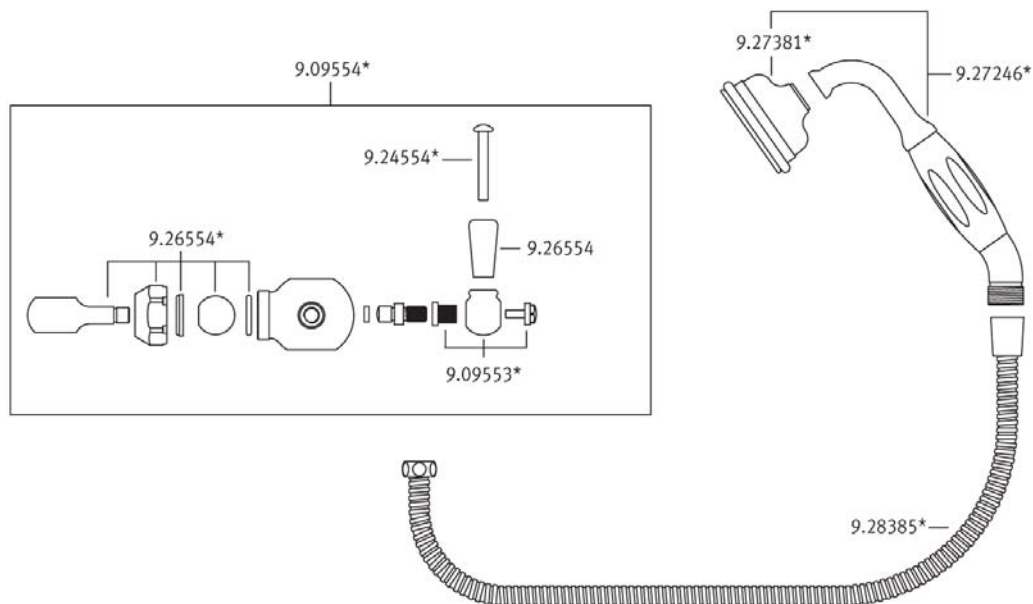
- Polished Chrome
- Polished Nickel
- Satin Nickel
- English Bronze
- Inca Brass

#### WARRANTY

- Limited Lifetime



## U.5373 Spare Parts



## Specification



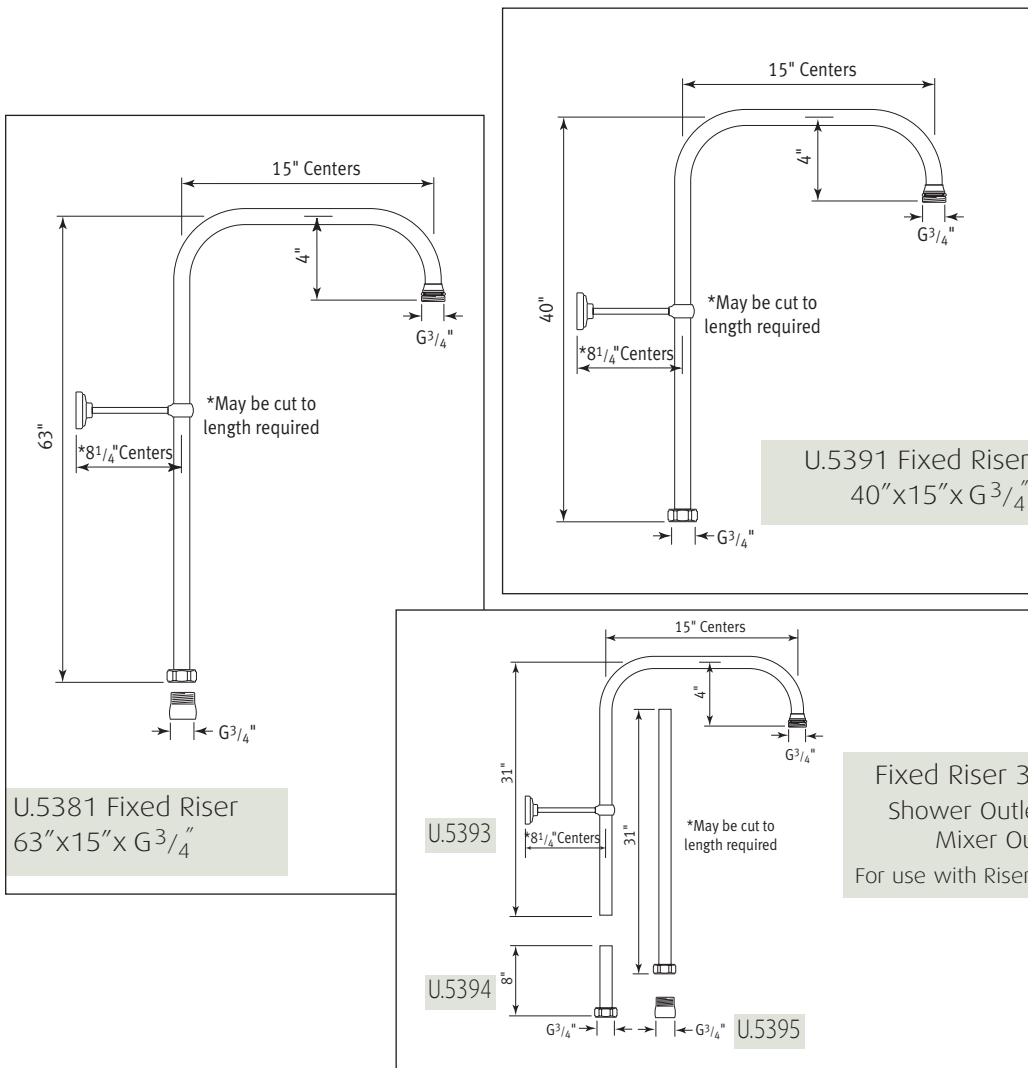
### U.5381 • U.5391 • U.5393/4/5

Fixed Riser - 63"x15"x G<sup>3/4</sup>" - 40"x15"x G<sup>3/4</sup>" - 31"x15"x G<sup>3/4</sup>"  
 Shower Outlet, Tub/Shower Mixer Outlet Connector



#### Finishes

- Polished Chrome
- Polished Nickel
- Satin Nickel
- Inca Brass
- Polished Chrome/Inca Brass
- Satin Nickel/Inca Brass
- Polished Nickel/Inca Brass



#### Packed Weight:

- U.5381 3.2Kg / 7lbs
- U.5391 1.9Kg / 4lbs
- U.5393 1.8Kg / 4lbs
- U.5394 0.2Kg / 1/2lbs
- U.5395 0.5Kg / 1lbs

#### Temp Range:

- Min 1°C / 34°F
- Max 85°C / 185°F

#### Recommended working pressure:

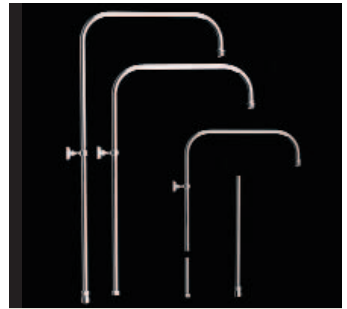
- Min 1 bar / 15psi
- Max 5 bar / 75 psi

## Specification



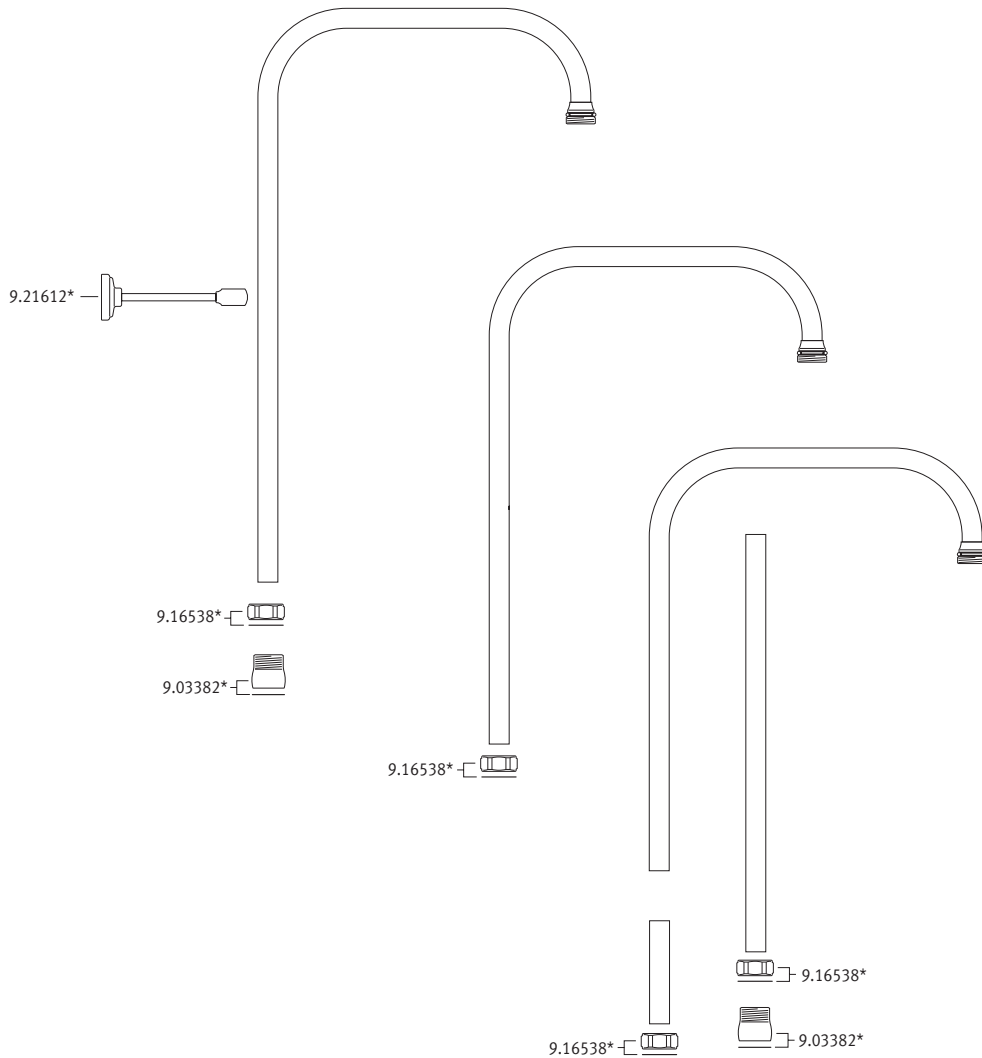
### U.5381 • U.5391 • U.5393/4/5

Fixed Riser - 63"x15"x G<sup>3</sup>/<sub>4</sub>" - 40"x15"x G<sup>3</sup>/<sub>4</sub>" - 31"x15"x G<sup>3</sup>/<sub>4</sub>"  
Shower Outlet, Tub/Shower Mixer Outlet Connector



Parts Breakdown

Where \* Indicated Specify Color.





## 8" Showerhead

ROHL Perrin & Rowe® Bath

### U.5205

#### FEATURES

- Large 8" diameter faceplate
- Single function rain spray pattern
- Body constructed of brass
- 3/4" NPSM connection

#### COLORS/FINISHES

- Polished Chrome
- Polished Nickel
- Satin Nickel
- Inca Brass
- English Bronze

#### WARRANTY

- Two years on manufacturer defects

