



Palladian Set of Hot & Cold 1/2" Sidevalves

ROHL Transitional Palladian

A1911LM (Metal Levers)

A1911XM (Cross Handles)

FEATURES

- For lavatory or replacement bidet sidevalves
- 1/2" sidevalves
- 2 x 1 3/8" cutouts
- 1/4-turn ceramic valves

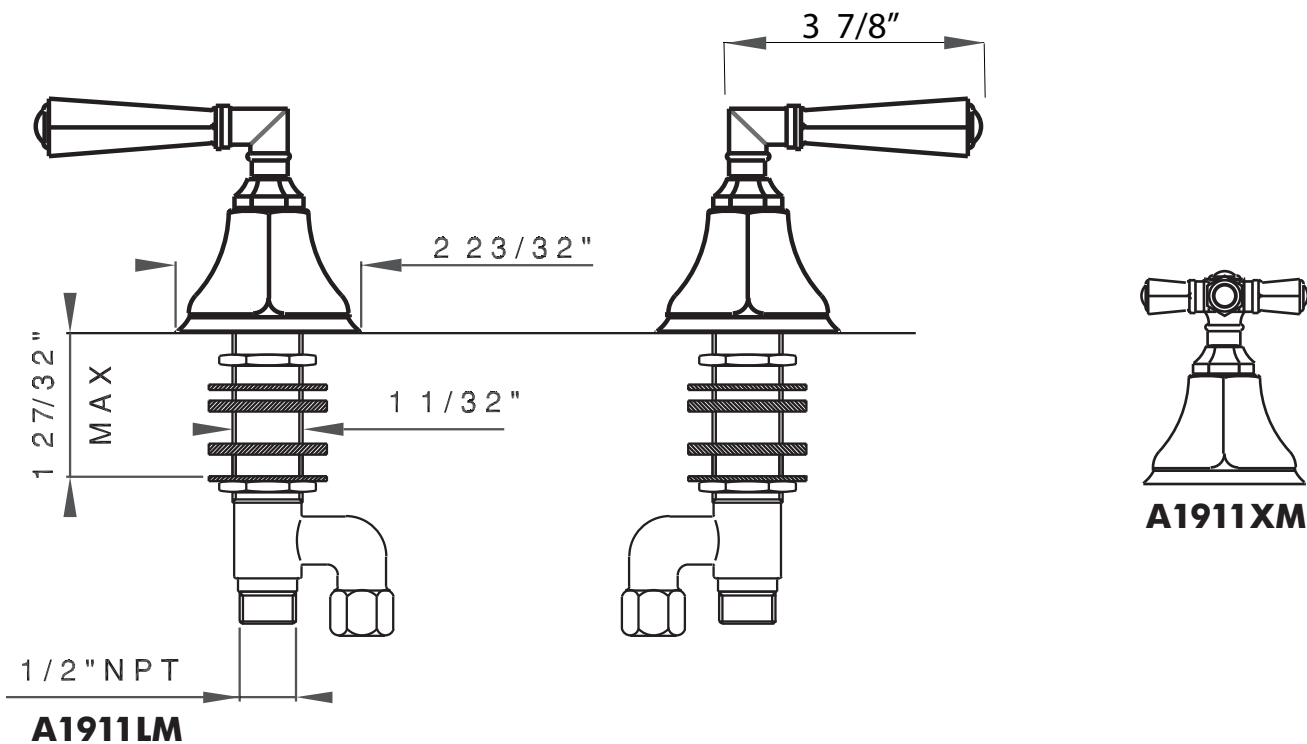
COLORS/FINISHES

- Polished Chrome
- Polished Nickel
- Satin Nickel
- Tuscan Brass
- Inca Brass

WARRANTY

- Limited Lifetime*

* No warranty on Tuscan Brass Finish



A1911LM Spare Parts

