



Georgian Era Cross Handle Pressure Balance Trim with Diverter

ROHL Perrin & Rowe Bath

U.2700LS (Lever Handle)
U.2700X (Cross Handle)

FEATURES

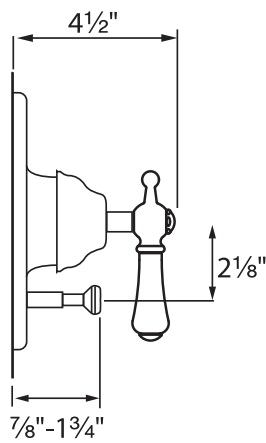
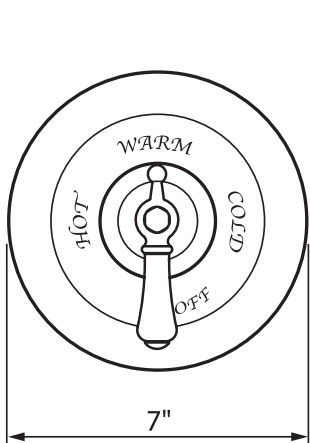
- Pressure balanced concealed bath and shower mixer trim
- Bath to shower diverter
- Coverplate, dome, handle and diverter knob made from solid brass
- To complete package order RMV-2 rough valve

FINISHES

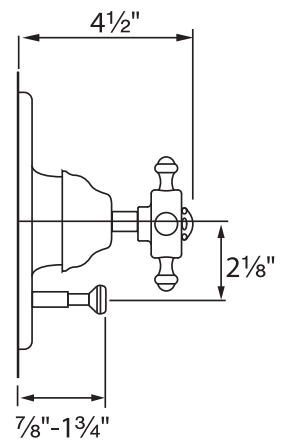
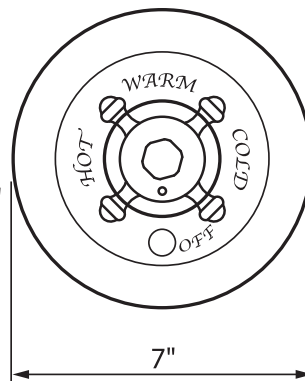
- Polished Chrome
- Polished Nickel
- Satin Nickel
- English Bronze
- Inca Brass

WARRANTY

- Limited Lifetime

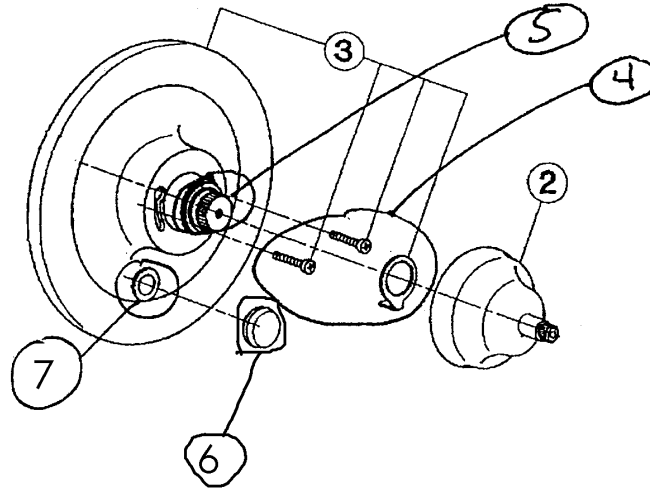


U.2700LS



U.2700X

U.2700 Spare Parts



MOUNTING SCREWS+CAM+DIVERTER ASSEMBLY
2303-1210 MOUNTING SCREWS

THERE ARE 2 PLASTIC PARTS
FOR THE TRIM AND ROUGH:
DRIVER 3103-1232
ATTACHED TO THE STEM ON THE ROUGH
INTERMEDIATE HANDLE ASSEMBLY 2303-0347
ASSEMBLED ON THE OUTSIDE OF THE TRIM PLATE

Parts List

2	Cover with spindle	ZZ931640
3	Escutcheon	ZZ931620
4	Hot Limit Stop	2103-1210
5	Intermediate Handle Assembly	2303-0347
6	Diverter Assembly	3604-2591 (Chrome Only)
		3604-2592 (Other Finishes)
7	Rubber Grommet	0304-0767