

ROHL®

Authentic Luxury for Kitchen and Bath™™

www.rohlhome.com



Trim For Pressure Balanced Concealed Bath and Shower Mixer With Diverter

ROHL Perrin & Rowe Bath

U.2000L (Lever Handle)

U.2000X (Cross Handle)

FEATURES

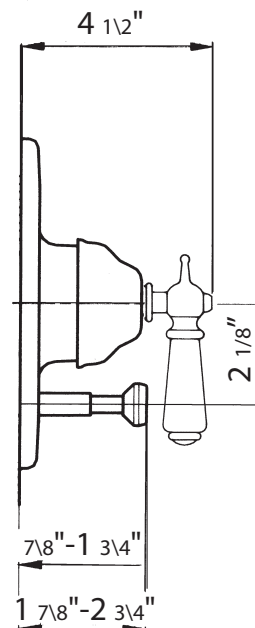
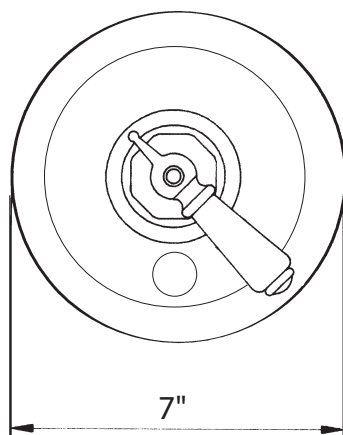
- Single lever handle or cross handle
- Pressure balanced concealed bath or shower mixer trim
- Bath to shower diverter
- Coverplate, dome, handle and divert knob made from solid brass
- To Complete package order RMV-2 rough valve

FINISHES

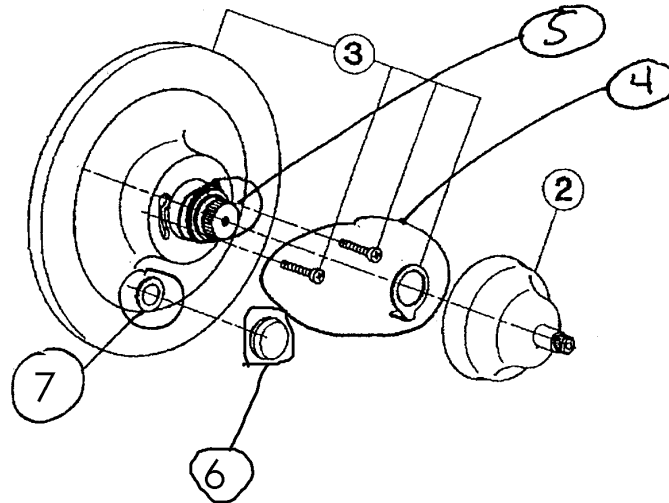
- Polished Chrome
- Polished Nickel
- Satin Nickel
- Inca Brass
- English Bronze

WARRANTY

- Limited Lifetime



U.2000 Spare Parts



MOUNTING SCREWS+CAM+DIVERTER ASSEMBLY
2303-1210 MOUNTING SCREWS

THERE ARE 2 PLASTIC PARTS
FOR THE TRIM AND ROUGH:
DRIVER 3103-1232
ATTACHED TO THE STEM ON THE ROUGH
INTERMEDIATE HANDLE ASSEMBLY 2303-0347
ASSEMBLED ON THE OUTSIDE OF THE TRIM PLATE

Parts List

2	Cover with spindle	ZZ931640
3	Escutcheon	ZZ931620
4	Hot Limit Stop	2103-1210
5	Intermediate Handle Assembly	2303-0347
6	Diverter Assembly	3604-2591 (Chrome Only)
		3604-2592 (Other Finishes)
7	Rubber Grommet	0304-0767