



Value Lux Pull-Out Faucet

ROHL Pull-Out Kitchen Faucets

R3100

FEATURES

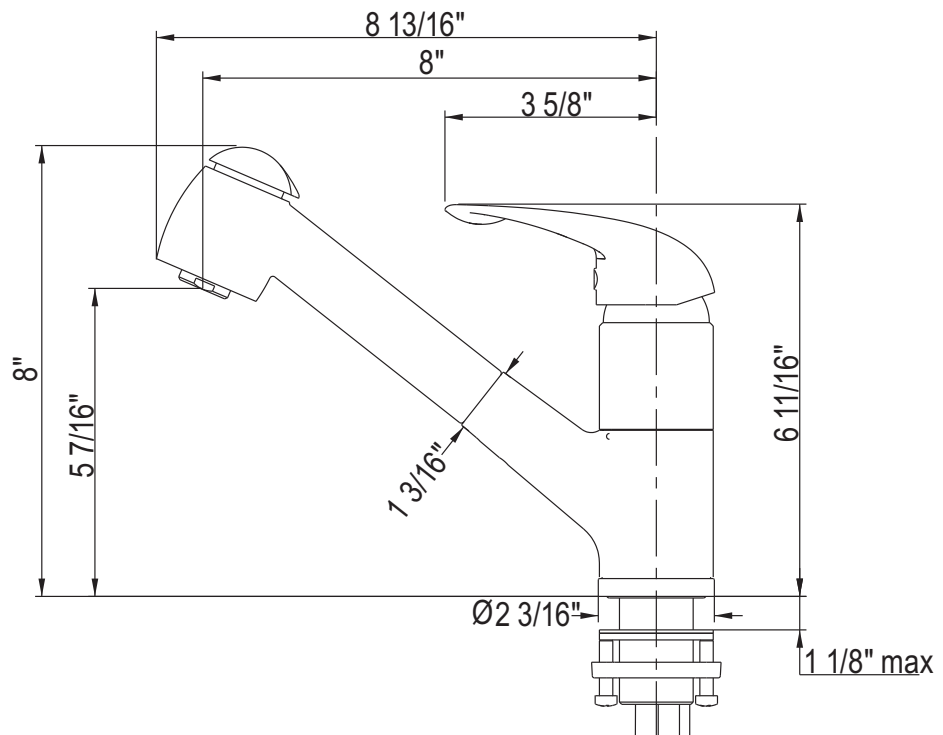
- Ceramic disc cartridge
- Dissimilar ceramic discs for smooth operation and long life
- Stainless steel coil & long-lasting chlorine resistant inner liner
- 1 3/8" hole cutout
- 1 1/2" max. installation depth on deck
- Double check valve
- Other finishes not available

COLORS/FINISHES

- Polished Chrome
- Satin Nickel

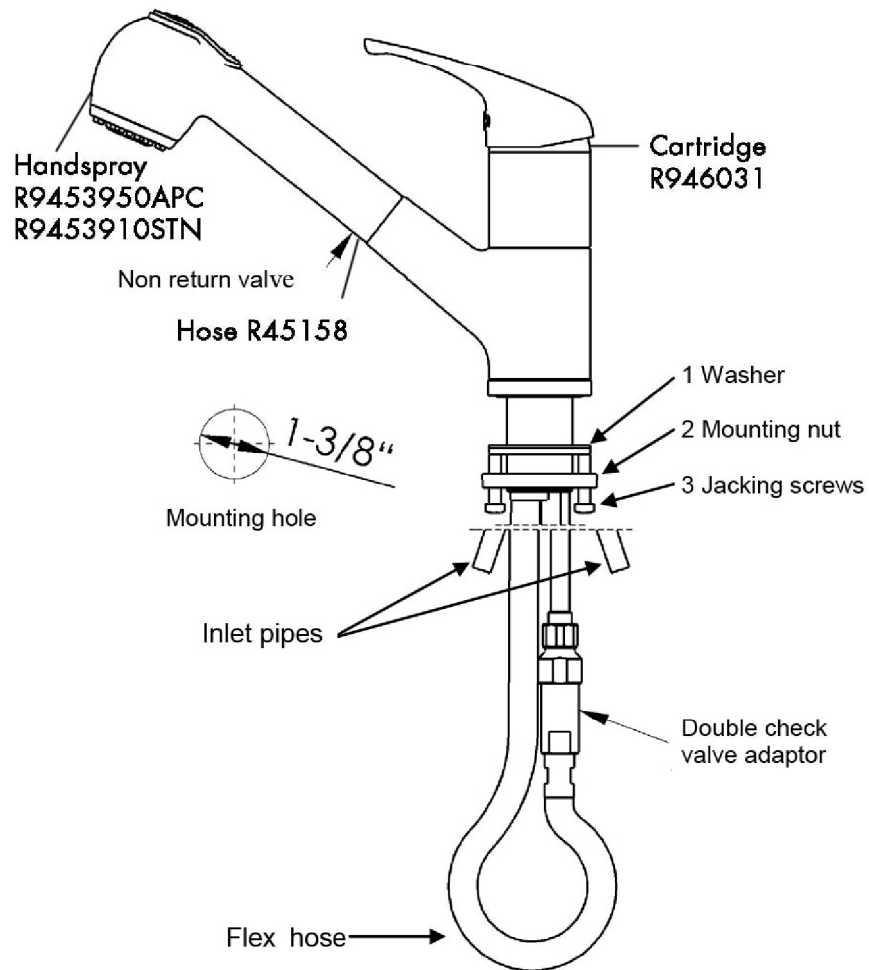
WARRANTY

- Limited Lifetime



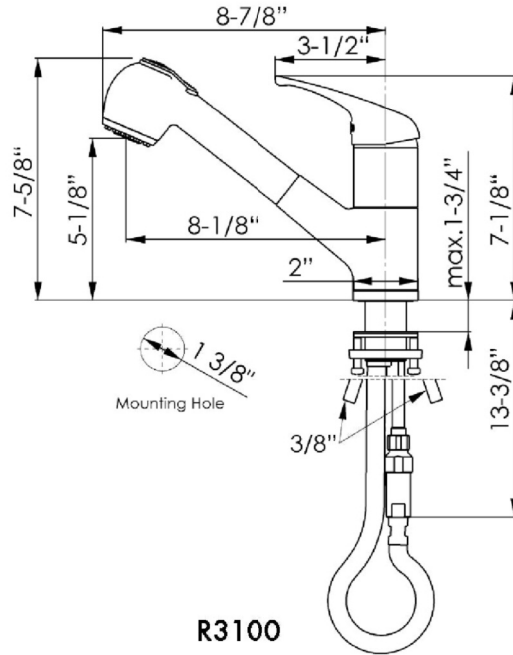
All current Pull-Out faucets are code compliant in California and Vermont. Consult your local ROHL showroom for additional information and specifications. For complete warranty details and a list of showrooms, go to www.rohlhome.com.

R3100 Spare Parts



All current Pull-Out faucets are code compliant in California and Vermont. Consult your local ROHL showroom for additional information and specifications. For complete warranty details and a list of showrooms, go to www.rohlhome.com.

Installation Instructions



ROHL LAUNDRY PULLOUT FAUCET INSTALLATION INSTRUCTIONS

Please leave this form with the product once installed.

SYSTEM REQUIREMENTS

To ensure the optimum performance and customer satisfaction please adhere to the following:

- Flush out all pipe work prior to installation.
 - Minimum operating pressure 40psi
 - Maximum operating pressure 70psi
 - Recommended operating pressure 60psi
 - *Note: Pressures over 70psi may require that the house have a pressure regulator installed to limit the pressure to below 70psi.
 - Maximum hot water temperature 120°F
 - Maximum flow rate limited to 1.8 US gallons/minute at 60psi
 - Note: it is strongly recommended that in-line filters are fitted to both inlets.
- Failure to comply with the above will void all warranties.**

#41647 09/12

Installation Instructions

Note: This mixer fits a maximum bench thickness of 43mm and has a 90° spout arc.

1. Flush pipe work to ensure it is free from debris.
2. Cut a mounting hole 1 3/8" diameter in the desired position for the mixer ensuring there is 30 inches of clear vertical space below the hole for free movement of the hose. Check there is 5/8" of flat surface around the edge of the hole, and that the handset is able to reach where required.
3. Remove mixer from packaging. Unscrew mounting nut (2) and remove washer (1) from threaded mixer tail. Ensure 'O' ring is sitting in groove at base of mixer and lower mixer through mounting hole.
4. From underneath the bench slide the washer (1) and mounting nut (2) over connection pipes and tighten onto threaded mixer tail. Further tighten with the jacking screws (3).
The longer copper tail pipe should be to the rear of the bench.
5. Connect the water supply to the mixer inlet tubes (shorter copper tails), (Hot inlet indicated with a red tape indicator) **Ensure that the copper tail pipes do not foul the travel of the hose.**
6. Connect the hose to the longer copper tail pipe. Ensure the adaptor containing the non return valve is fitted, and make sure the sealing washer is in place by turning the nut on the copper tail rather than the hose itself.
7. Remove handset from packaging, ensuring the rubber washer is in place and tighten hose onto handset.
8. Remove hose counterweight from packaging and fit to hose approximately 600mm below bench surface. Check travel of handset and reposition counterweight if necessary.
9. Turn on water supply and check for leaks. Test operation of handset by pressing button on top of handset to change from standard spray to shower spray settings.

Installation Instructions

GUARANTEE TO THE CONSUMER

WARRANTY

Rohl LLC warrants this product to be free from defects in materials or workmanship for as long as the original consumer purchaser owns their home.

Rohl LLC will provide free of charge, at its option, replacement part(s) or product (or a comparable alternative product) to replace those which have proven defective in materials or workmanship. We will not assume liability for labor expended or damages accruing from the use of material purchased from us. If material is defective, the limit of damage is the price of the defective material.

Proof of purchase (original sales receipt) from the original consumer purchaser must be made available to Rohl LLC for all warranty claims. The warranty is not transferable and is extended solely to the original purchaser of the product.

WARRANTY EXCLUSION

This warranty is for normal domestic use only and excludes defect or injury caused by or resulting from misuse, abuse or neglect, accidental damage or improper installation. The life-time limited warranty does not apply to replacement of components where damage is caused by normal wear and tear.

WARRANTY WILL BE INVALID IF:

- A. The product has not been correctly installed (whether by a plumber, contractor, service provider or member of the purchaser's household) in accordance with the Manufacturers instructions.
- B. The surface finish of the product has been damaged by use of unsuitable cleaning agents or improper materials, i.e. Damage by agents containing acidic, corrosive, abrasive or alcohol-based substances or through scouring the surface by abrasive cloths.
- C. Damage has occurred to component parts due to foreign materials in the water supply (e.g. stones, metal shavings). All water lines must be flushed clear of all debris prior to installing the product. It is strongly recommended that in areas where foreign materials may be present in the water supply, an inline filter be fitted on both the Hot and Cold inlets. This will ensure your warranty remains valid.
- D. The product has been exposed to excessive high water temperature (above 70° Celsius or 160° Fahrenheit).

PARTS ONLY WARRANTY

This warranty does not cover labor charges incurred and / or damage sustained in installation, repair or replacement, nor incidental or consequential damages

ROHL LLC: 3 Parker, Irvine Ph. (714) 557 1933 Fax (714) 557 8635
NEW YORK METRO: Ph. (732) 863 0879
SAN FRANCISCO: Ph (415) 257 6364

Product #	Batch #
-----------	---------