



Trim for Pressure Balance Concealed Bath and Shower Mixer With Diverter

ROHL Cical Bath

AC200X - (Cross Handle)

AC200L - (Ornate Metal Lever)

AC200LM - (Classic Metal Lever)

AC200LP - (White Resin Lever)

FEATURES

- Pressure balance concealed bath and shower mixer trim
- Bath to shower diverter
- Coverplate, dome, diverter knob, and handle made from solid brass
- **Must order RMV-2 rough to complete**

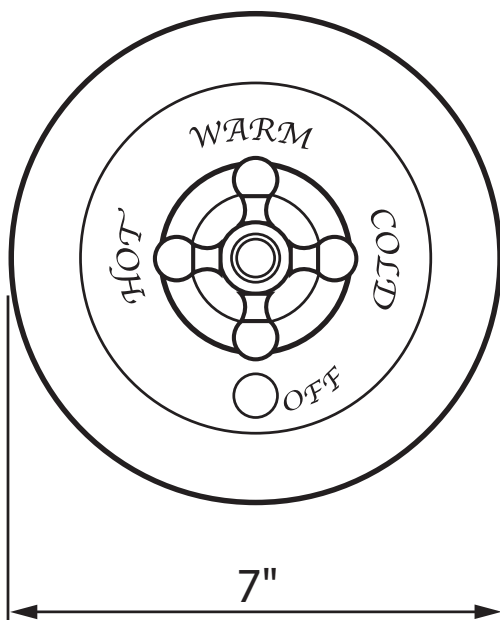
FINISHES

- Polished Chrome
- Polished Nickel
- Satin Nickel
- Tuscan Brass
- Inca Brass

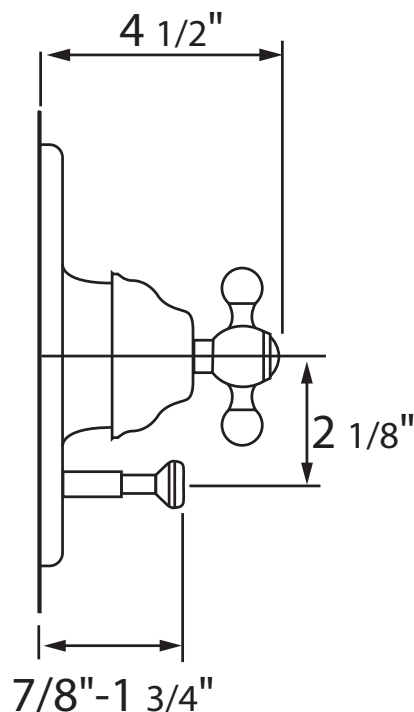
WARRANTY

- Limited Lifetime
- * No Warranty on Tuscan Brass Finish (TCB)

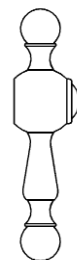
AC200X



4 1/2"



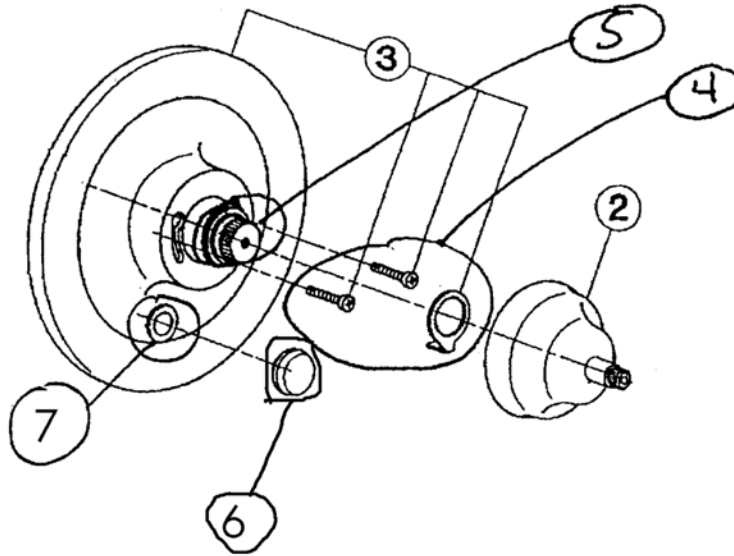
AC200L



AC200LM & AC200LP



AC200 Spare Parts



MOUNTING SCREWS+CAM+DIVERTER ASSEMBLY
2303-1210 MOUNTING SCREWS

THERE ARE 2 PLASTIC PARTS
FOR THE TRIM AND ROUGH:
DRIVER 3103-1232
ATTACHED TO THE STEM ON THE ROUGH
INTERMEDIATE HANDLE ASSEMBLY 2303-0347
ASSEMBLED ON THE OUTSIDE OF THE TRIM PLATE

Parts List

2	Cover with spindle	ZZ931640
3	Escutcheon	ZZ931620
4	Hot Limit Stop	2103-1210
5	Intermediate Handle Assembly	2303-0347
6	Diverter Assembly	3604-2591 (Chrome Only)
		3604-2592 (Other Finishes)
7	Rubber Grommet	0304-0767

Lever Options (not pictured)

- AC100L - (Ornate Metal Lever) - ZZ922810
- AC100LM - (Classic Metal Lever) - ZZ950940
- AC100LP - (White Resin Lever) - ZZ931580
- AC100X - (Cross Handle) - ZZ934160