



**ITALIAN COUNTRY BATH PRESSURE BALANCE TRIM WITH INTEGRATED VOLUME CONTROL AND DIVERTER**

ROHL Country Bath Collection

**A7400LM** (Metal Lever)

**A7400LP** (Porcelain Lever)

**A7400XM** (Cross Handle)

**A7400LC** (Crystal Lever)

**A7400XC** (Crystal Cross Handle)

**A7400LH** (Hex Series Only Metal Lever)

**FEATURES**

- Pressure balanced concealed bath and shower mixer trim for R2014D rough valve with volume and temperature control
- Complete with plate, escutcheon, diverter, and handle
- Components made of brass
- Rotate handle clockwise for hot, counterclockwise for cold
- Move handle up for on, down for off

**COLORS/FINISHES**

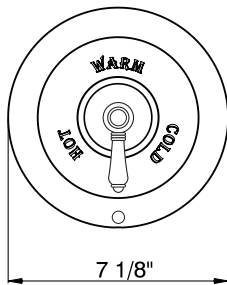
- Polished Chrome
- Polished Nickel
- Satin Nickel
- Tuscan Brass
- Inca Brass
- Old Iron\*

\*Old Iron finish only available for A7400LM and A7400XM

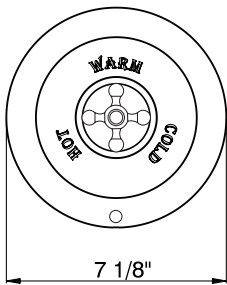
**WARRANTY**

- Limited Lifetime\*
- \*No warranty on Tuscan Brass finish

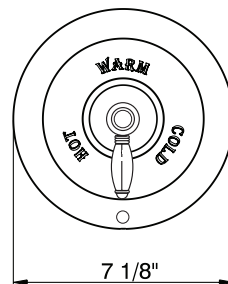
To complete package order R2014D rough valve



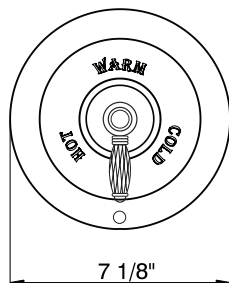
A7400LP and A7400LP



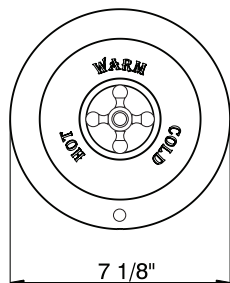
A7400XM



A7400LH



A7400LC

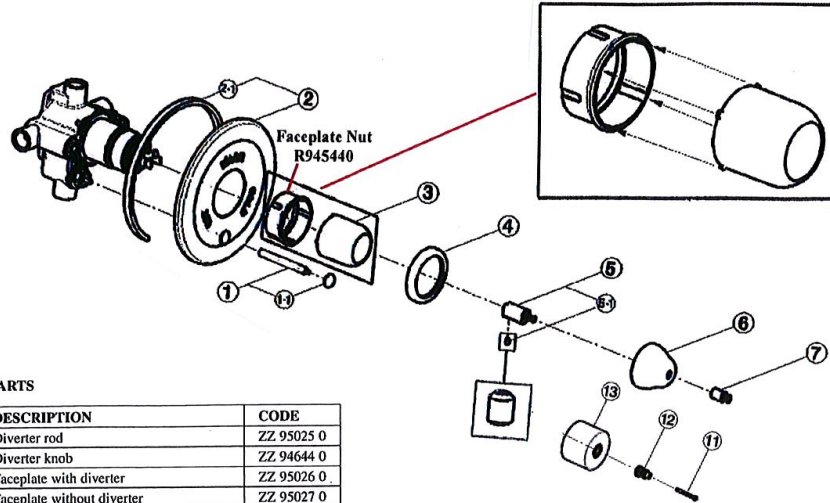


A7400XC

## INSTALLATION INSTRUCTIONS

### Pressure Balance Trim with Integrated Volume Control Installation Instructions

For Model/s: ARB6400, ARB7400, AC600, AC700, A6400, A7400, U.6700, U.7700, U.6000, U.7000, A6200, A7200, BA600, & BA700



#### SPARE PARTS

POS.	DESCRIPTION	CODE
1	Diverter rod	ZZ 95025 0
1-1	Diverter knob	ZZ 94644 0
2	Faceplate with diverter	ZZ 95026 0
2	Faceplate without diverter	ZZ 95027 0
2	Faceplate with diverter - modern	ZZ 95074 0
2	Faceplate without diverter - modern	ZZ 95075 0
2-1	Gasket for faceplate	ZZ 95028 0
3	Dome cap	ZZ 95029 0
4	Cover ring	ZZ 95030 0
5	Cartridge rod adaptor	ZZ 95031 0
5-1	Set screw M.5x6	ZZ 94063 0
6	Lever escutcheon	ZZ 95032 0
7	Lever extension	ZZ 92671 0
11	Screw M.3,5x30	ZZ 95078 0
12	Extension	ZZ 93497 0
13	Modern dome cap	ZZ 95077 0

#### Trim Parts Instructions:

- Mount Sealing Gasket (2-1) into Faceplate (2)
- Thread on Diverter Rod (1) if applicable
- Remove faceplate nut (R945440) from valve and install faceplate (2)
- Thread on faceplate nut (R945440)
- **Please note: faceplate nut is provided on the rough valve not with the trim**
- Use Cover Sleeve (3) as a wrench to tighten the faceplate nut into place
- Slide Trim Ring (4) onto Cover Sleeve (3) to hide the edge of the Faceplate nut (R945440)
- **Please note: O-ring on (4) is installed on the inner diameter of the Trim Ring (4)**
- Install Cartridge Interface (5) onto stem of cartridge  
Use of 2.5 MM Allen key is needed
- Slip Trim cover (6) against cartridge interface (5)
- Install Handle Spacer (7) and tighten screw (5-1)
- Install lever or cross handle onto Handle Spacer (7)  
Use of 2.5 MM Allen key is needed
- Thread on Diverter button (1-1)
- Test. Adjust if necessary.
- 3/8" Extension Nut available; part # R945440/2
- Extended stem available; part # 30134

**SPECIFICATIONS DETAILS:**  
 6-8 GPM @ 90 PSI  
 • Unique volume control with pressure balance  
 • Integrated stop  
 • Min. install depth: 2"  
 • Max. install depth: 3"  
 • If PEX is utilized, override the supply line to 3/4" for full flow capacity  
 • Install any hub spout 18" min. from the diverter or valve outlet  
 • If using R20720 with a wall mounted tub spout with integrated diverter such as R18000, diverter hub spout, a twin g1 will be needed by the installer. The top outlet will be plugged.

ITEM NO.	PART NO.	DESCRIPTION	QTY.
1	1-111	DIVERTER ONLY, PRESSURE BALANCE VALVE	1
2	10031	SLEEVE, CARTRIDGE PRESSURE BALANCE	1
3	10032	NUT, PRESSURE BALANCE VALVE	1
4	10716	CARTRIDGE, PRESSURE BALANCE 40MM	1
5a	10092	BODY, PRESSURE BALANCE FOUR X 1/2" NPT	1
5b	10097	BODY, PRESSURE BALANCE FOR DIVERTER	1
6	10610	CARTRIDGE BASE EXTENSION FOR HK-40	1
7	2-076	SHUTOFF VALVE, PRESSURE BALANCE	2
8	80031	D-RING, 1-3/4" ID X 1-7/8" OD X 1/8" THK, AS-688-031	2
8	R945440	FACEPLATE NUT, PRESSURE BALANCE	1