



Rough Only for Thermostatic With Volume Control

Rohl Country Bath Collection

A4910

FEATURES

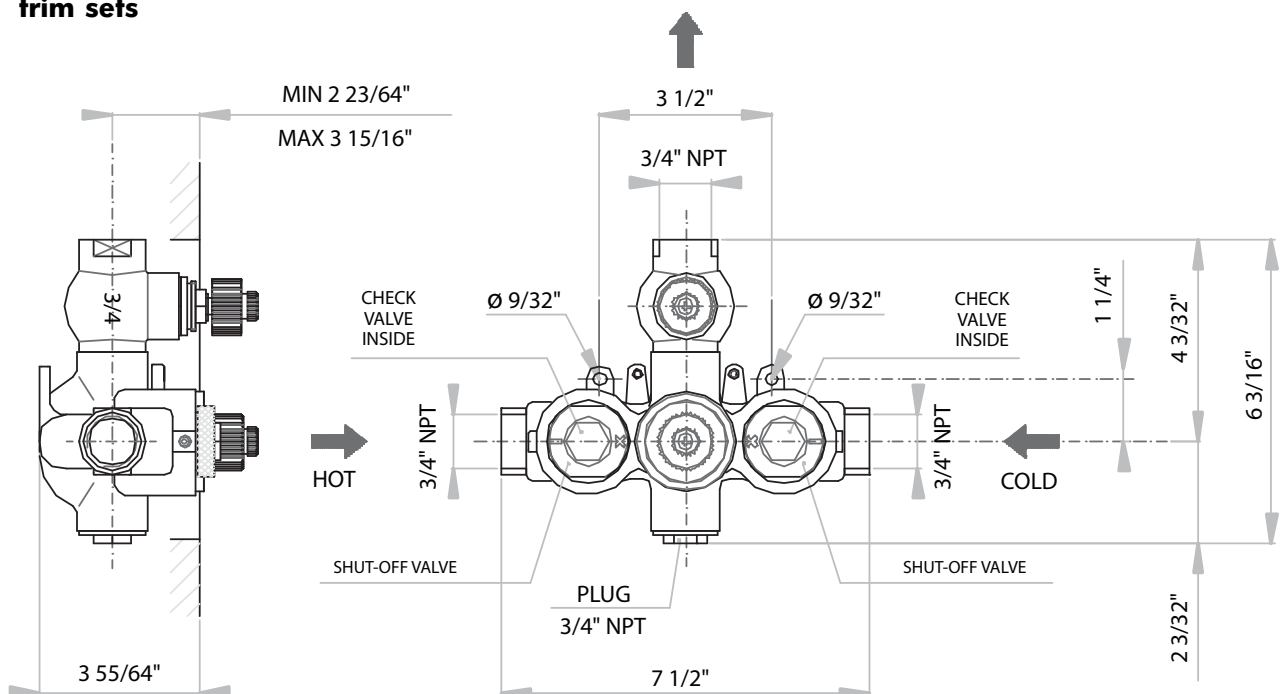
- New 1/2-turn service stops with screens
- Bottom outlet for tub spout only
- Separate volume and temperature controls
- Flow rate 16 GPM at 45 PSI
- 3/4" inlets and 2 x 3/4" outlets
- Standard 3/4" nipple required to plumb from bottom outlet (not supplied)
- **To complete, must order A4909, A2909, A4709, A4809, or A4009 trim sets**

COLORS/FINISHES

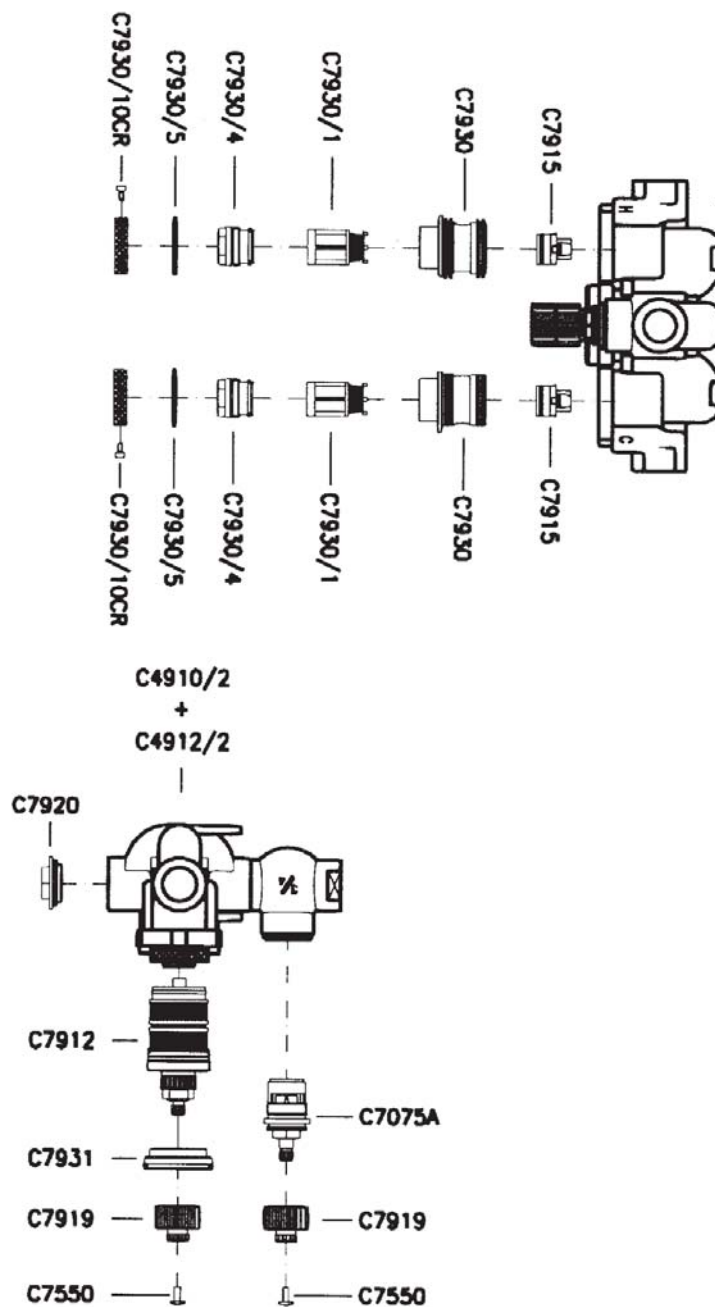
N/A

WARRANTY

- Limited Lifetime



A4910 Spare Parts



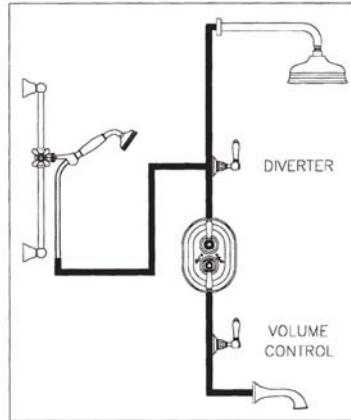
A4910 Technical Information

Please note: Most installations are custom. This is a rough guide for plumbing a simple shower system.

THE 4 WAY DIVERTER A2700 IS NOT INCLUDED WITH THE A4909 OR A4910. MUST BE ORDERED SEPARATELY !

Pictured to the right is a typical thermostatic system:

1. There is one thermostatic valve A4910 ROUGH WITH TRIM KIT A4909. These must be ordered separately.
2. There are three functions:
 - a. Showerhead
 - b. Hand shower
 - c. Tub filler
3. The A2700 diverter is recommended for multiple functions with the A4909--A4910 valve.
4. The A2700 valve has 1 inlet and 3 outlets. It is not a volume control valve. If an outlet is not to be used, the outlet must not be capped. This would eventually cause the valve to fail. Loop the unused outlet back to a one of the other functions.
4. The bottom outlet is for volume control and tub filler only. Use of the bottom outlet and top outlet together will result in inconsistent temperature delivery.



SYSTEM REQUIREMENTS:

1. 50 PSI is recommended if you run 2 outlets at once.
2. Water heater capacity: 100 gal recommended. The valve runs at 16 gallons per minute (gpm). For on demand water heater systems, we recommend a 25 gallons standard water heater plumbed in line for consistent temperature delivery.
3. Body sprays should be installed in a loop for consistent flow.
4. A larger drain may be necessary if 2 or more valves are in one shower.
5. Well systems must have consistent flow and pressure for the valve to operate properly. Fluctuating pressure will cause inconsistent temperature delivery. Check your system requirements before installation.

SERVICING

Using the service stops

THE SHUT-OFF VALVE IS NOT A STOP COCK, BUT ONLY A VALVE THAT ALLOWS TEMPORARY SHUT-OFF FOR MAINTENANCE OPERATIONS LIKE FILTER CLEANING, FLUSHING THE VALVE AND CARTRIDGE REPLACEMENT

Do not leave the valve unattended during servicing. Do not leave the service stops in the off position with the thermostatic cartridge removed for any longer than servicing is necessary. No longer than 15 minutes.

When the valve is closed, you could notice a slight drip. This is normal. DO NOT ALLOW THE WATER TO COLLECT IN THE WALL CAVITY. FUNNEL THE WATER AWAY FROM THE INNER WALL CAVITY TO THE SHOWER STALL.

