



## ITALIAN COUNTRY BATH PRESSURE BALANCE TRIM WITH INTEGRATED VOLUME CONTROL

ROHL Country Bath Collection

**A6400LM** (Metal Lever)

**A6400LP** (Porcelain Lever)

**A6400XM** (Cross Handle)

**A6400LC** (Crystal Lever)

**A6400XC** (Crystal Cross Handle)

**A6400LH** (Hex Series Metal Lever)

### FEATURES

- Pressure balanced concealed bath or shower mixer trim for R2012D rough valve with volume and temperature control
- Complete with plate, escutcheon, diverter and handle
- Components made of brass
- Rotate handle clockwise for hot, counterclockwise for cold
- Move handle up for on, down for off

### COLORS/FINISHES

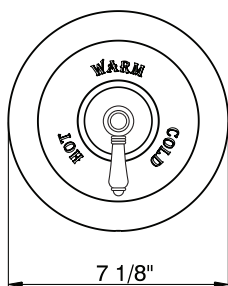
- Polished Chrome
- Polished Nickel
- Satin Nickel
- Tuscan Brass\*
- Inca Brass
- Old Iron\*

\*Old Iron finish only available for A6400LM and A6400XM

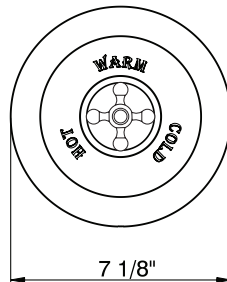
### WARRANTY

- Limited Lifetime
- \*No warranty on Tuscan Brass finish

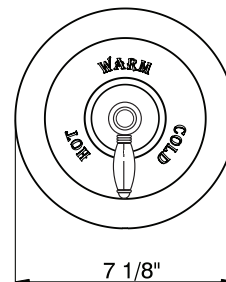
To complete package order R2012D rough valve



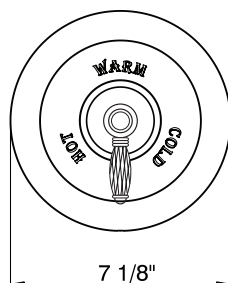
A6400LM and A6400LP



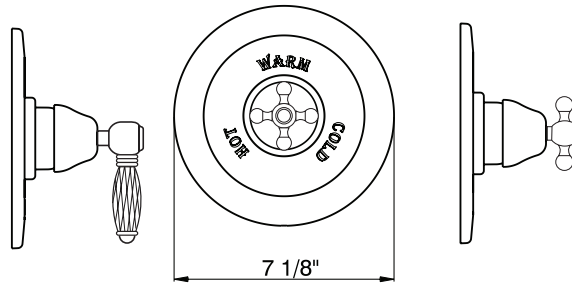
A6400XM



A6400LH



A6400LC



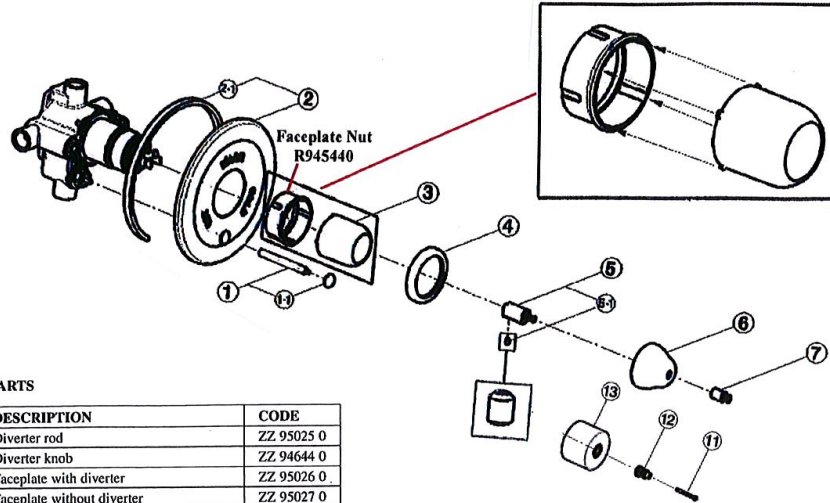
A6400XC

Consult your local ROHL showroom for additional information and specifications. For complete warranty details and a list of showrooms, go to [www.rohlhome.com](http://www.rohlhome.com).

## INSTALLATION INSTRUCTIONS

### Pressure Balance Trim with Integrated Volume Control Installation Instructions

For Model/s: ARB6400, ARB7400, AC600, AC700, A6400, A7400, U.6700, U.7700, U.6000, U.7000, A6200, A7200, BA600, & BA700



#### SPARE PARTS

POS.	DESCRIPTION	CODE
1	Diverter rod	ZZ 95025 0
1-1	Diverter knob	ZZ 94644 0
2	Faceplate with diverter	ZZ 95026 0
2	Faceplate without diverter	ZZ 95027 0
2	Faceplate with diverter - modern	ZZ 95074 0
2	Faceplate without diverter - modern	ZZ 95075 0
2-1	Gasket for faceplate	ZZ 95028 0
3	Dome cap	ZZ 95029 0
4	Cover ring	ZZ 95030 0
5	Cartridge rod adaptor	ZZ 95031 0
5-1	Set screw M.5x6	ZZ 94063 0
6	Lever escutcheon	ZZ 95032 0
7	Lever extension	ZZ 92671 0
11	Screw M.3,5x30	ZZ 95078 0
12	Extension	ZZ 93497 0
13	Modern dome cap	ZZ 95077 0

#### Trim Parts Instructions:

- Mount Sealing Gasket (2-1) into Faceplate (2)
- Thread on Diverter Rod (1) if applicable
- Remove faceplate nut (R945440) from valve and install faceplate (2)
- Thread on faceplate nut (R945440)
- **Please note: faceplate nut is provided on the rough valve not with the trim**
- Use Cover Sleeve (3) as a wrench to tighten the faceplate nut into place
- Slide Trim Ring (4) onto Cover Sleeve (3) to hide the edge of the Faceplate nut (R945440)
- **Please note: O-ring on (4) is installed on the inner diameter of the Trim Ring (4)**
- Install Cartridge Interface (5) onto stem of cartridge  
Use of 2.5 MM Allen key is needed
- Slip Trim cover (6) against cartridge interface (5)
- Install Handle Spacer (7) and tighten screw (5-1)
- Install lever or cross handle onto Handle Spacer (7)  
Use of 2.5 MM Allen key is needed
- Thread on Diverter button (1-1)
- Test. Adjust if necessary.
- 3/8" Extension Nut available; part # R945440/2
- Extended stem available; part # 30134

**SPECIFICATIONS DETAILS:**  
 6-8 GPM @ 90 PSI  
 • Unique volume control with pressure balance  
 • Integrated stop  
 • Min. install depth: 2"  
 • Max. install depth: 3"  
 • If PEX is utilized, override the supply line to 3/4" for full flow capacity  
 • Install any hub spout 18" min. from the diverter or valve outlet  
 • If using R20720 with a wall mounted tub spout with integrated diverter such as R18000, diverter hub spout, a twin g1 will be needed by the installer. The top outlet will be plugged.

ITEM NO.	PART NO.	DESCRIPTION	QTY.
1	1-111	DIVERTER ONLY, PRESSURE BALANCE VALVE	1
2	10031	SLEEVE, CARTRIDGE PRESSURE BALANCE	1
3	10032	NUT, PRESSURE BALANCE VALVE	1
4	10716	CARTRIDGE, PRESSURE BALANCE 40MM	1
5a	10092	BODY, PRESSURE BALANCE FOUR X 1/2" NPT	1
5b	10097	BODY, PRESSURE BALANCE FOR DIVERTER	1
6	10610	CARTRIDGE BASE EXTENSION FOR HK-40	1
7	2-076	SHUTOFF VALVE, PRESSURE BALANCE	2
8	80031	D-RING, 1-3/4" ID X 1-7/8" OD X 1/8" THK, AS-688-031	2
8	R945440	FACEPLATE NUT, PRESSURE BALANCE	1