



## ACQUI COLUMN SPOUT WALL MOUNTED WIDESPREAD LAVATORY FAUCET

ROHL Italian Country Bath Collection

**A1477LM-2** (Metal Levers)

**A1477LP-2** (Porcelain Levers)

**A1477XM-2** (Cross Handles)

**A1477LC-2** (Swarovski® Crystal Levers)

**A1477XC-2** (Swarovski® Crystal Cross Handles)

### FEATURES

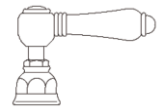
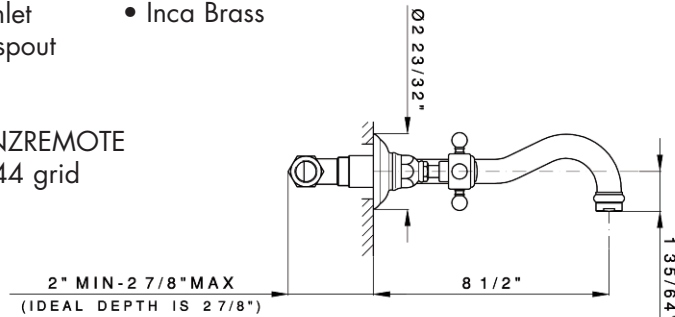
- 1/2" wall valve lav set with separate spout and handles
- 1/4 -turn ceramic valves
- Solid brass
- 8 1/2" spout reach with 1/2" inlet
- 1/2" female nipple needed for spout
- 1/2" NPT connectors
- Fixed spout
- Faucet has no pop-up, order CNZREMOTE remote pop-up set, 6442 or 7444 grid drain for bowl
- 1.2 GPM

### COLORS/FINISHES

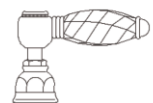
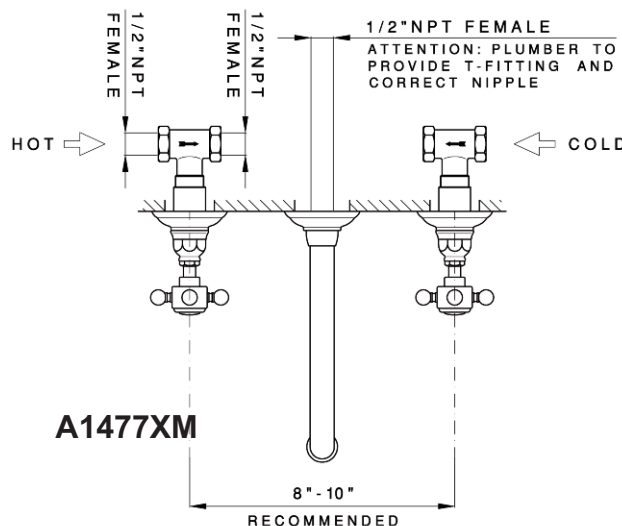
- Polished Chrome
- Polished Nickel
- Satin Nickel
- Tuscan Brass
- Inca Brass

### WARRANTY

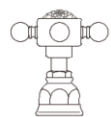
- Limited Lifetime\*
- \* No Warranty on Tuscan Brass Finish (TCB)



**A1477LM & A1477LP**



**A1477LC**

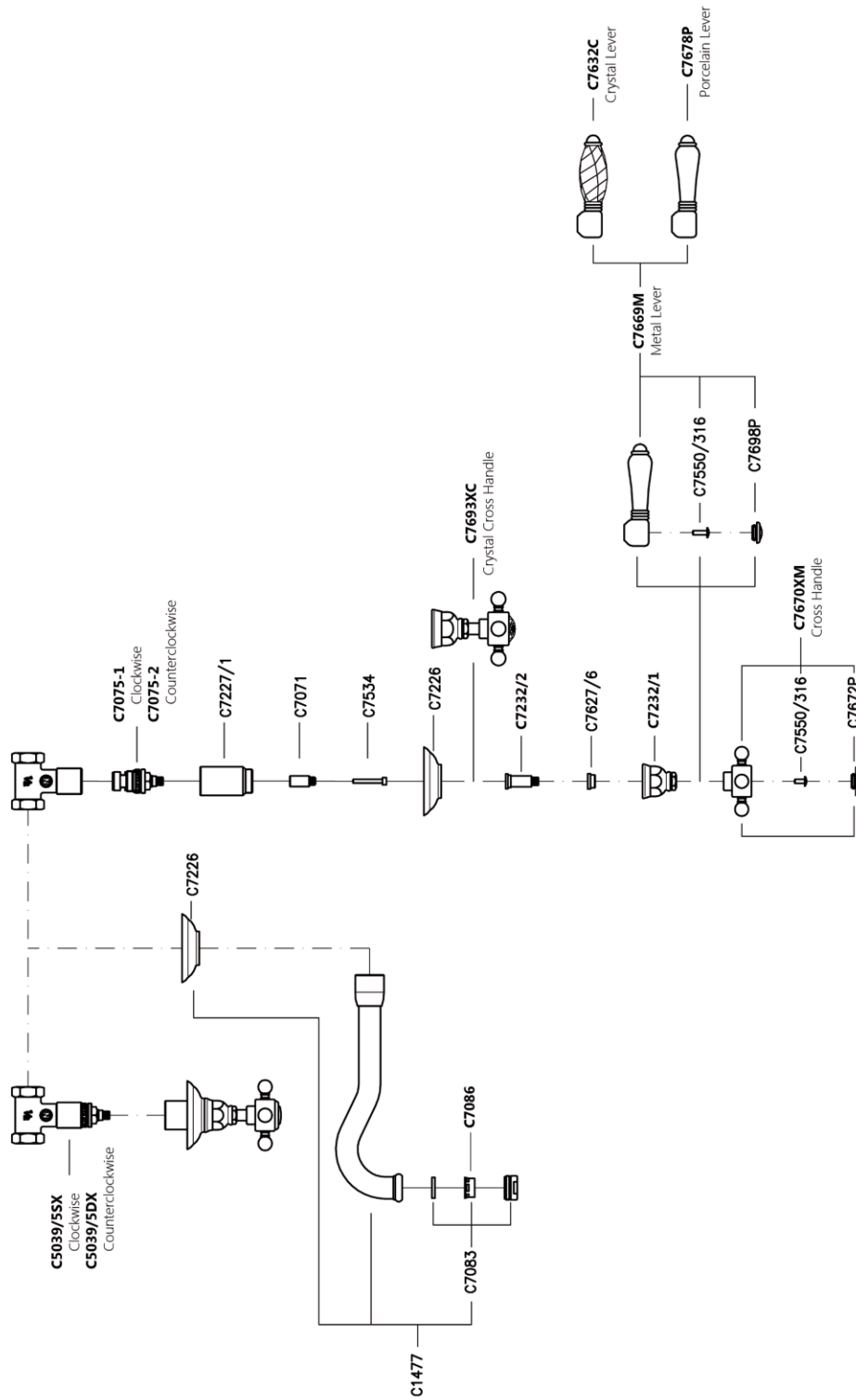


**A1477XC**

Consult your local ROHL showroom for additional information and specifications. For complete warranty details and a list of showrooms, go to [www.rohlhome.com](http://www.rohlhome.com).



## A1477 Spare Parts



Consult your local ROHL showroom for additional information and specifications. For complete warranty details and a list of showrooms, go to [www.rohlhome.com](http://www.rohlhome.com).

## Installation Instructions

### PREPARATION

Flush the plumbing system before installing the mixer faucet. This is to avoid plumbing residues clogging the aerator, or possibly damaging the ceramic valves. This is especially important where extensive plumbing work has been carried out.

### CHECK LIST

- **Temperature of the hot water supply does not exceed 185 F !**
- Recommended **minimum water supply pressure - 15 psi !**
- Recommended **maximum water supply pressure - 75 psi !**
- Ideal performance obtained with equal hot & cold pressures !

### ASSEMBLY - Refer to Fig 1.

- Install concealed wall valves and centre body into wall to required depth, allowing for thickness of tiles etc. 2" min/ 2 7/8" max

***\*Please note the maximum depth on installation diagram.***

- (Extension kits are available for the valves to achieve greater Depth C5590).
- Cavity should be sufficient to allow for servicing of valves.
- Install spout with base ring, fitting 'O' seal supplied between rosette and wall finish.
- Wall Valves - Slide rosette onto valve cover ensuring rubber seal is located correctly in internal recess.
- Assemble lever and dome to wall valve ensuring handle is aligned correctly.

# ATTENTION

## **READ THESE INSTRUCTIONS BEFORE INSTALLATION AND USE OF ALL FAUCETS AND WALL VALVES**

### **INSTALLATION and WARRANTY INSTRUCTIONS TECHNICAL INFORMATION**

All flexible hoses are designed and manufactured for use with water in exposed locations only. **Do not expose** to household cleaners, chlorine, chloride, hydrochloric acid or other corrosive chemicals.

- All connections with threads M10x1 male must be hand tighten. **Do not over tighten. Over tightening may cause damage to the hose.**

All faucets washers and o-rings are designed and manufactured for use with water. **Do not expose** to household cleaners, chlorine, chloride, hydrochloric acid or other corrosive chemicals.

Faucets are designed for use with the temperatures and pressures listed below:

- minimum cold water supply 50 °F
- maximum hot water supply 145 °F
- minimum pressure 15 psi
- maximum pressure 75 psi
- maximum fixing torque value = 10 lbf.ft.
- 

**Please note:** The recommended best pressure for best performance is between 40 psi and 60 psi. More pressure than 60 psi or less pressure than 40 psi may affect the diverting action in side spray faucets.

- Do not use any Rohl Country/ Nicolazzi faucet with sulphurous water.
- The minimum temperature for all faucets is 50 degrees F. Below 50 degrees F will void the warranty.
- When available, filter systems must be placed between hot and cold supply lines and the faucet. Improper use or non-use of filters may make diverting faucets with hand sprays perform poorly.
- Don't modify faucet and their components
- Use only original spare parts if there are replacements to be ordered.
- Installation must be made by authorized plumbers or installers. Improper installation or diagnosis of problems is not covered by the warranty.
- Yearly maintenance of cleaning and flushing is recommended.

**Operation and use of any faucet or wall valve that do not conform to these technical instructions will void the warranty.**