



## Shower Bar

ROHL Shower Collection

**1200** (White resin cap on cross handle)

**1201** (Brass cap on cross handle)

### FEATURES

- Solid brass construction
- Wall mounting
- 24" total length
- 3/4" diameter bar
- Country style
- Sliding handshower parking bracket

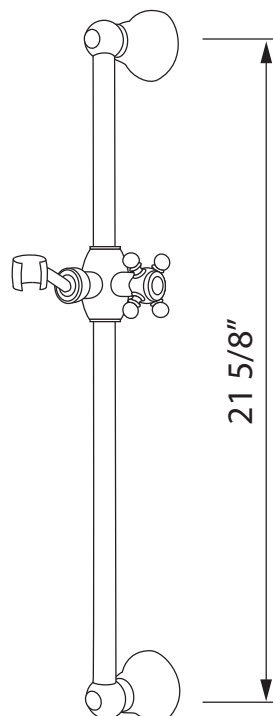
### COLORS/FINISHES

- Polished Chrome
- Polished Nickel
- Satin Nickel
- Tuscan Brass
- Inca Brass
- Old Iron\*

### WARRANTY

- Two Years on Manufacturer Defects\*
- \*No Warranty on Tuscan Brass Finish

\*Old Iron finish only available for 1201





## Handshower Wall Outlet

ROHL Shower Collection

**1295**

### FEATURES

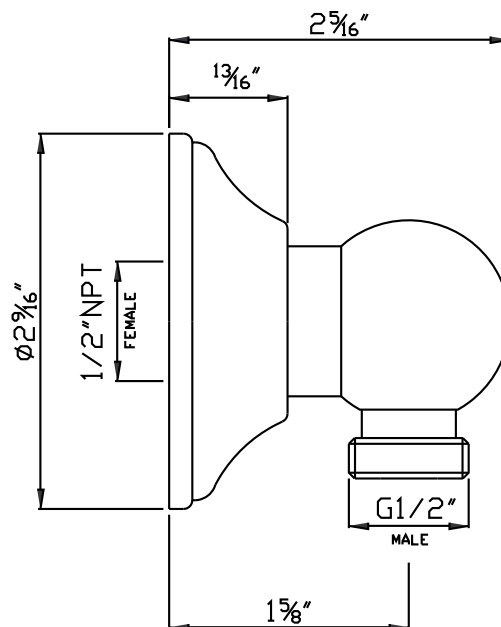
- Brass construction
- 1/2" female inlet connection
- 1/2" male outlet connection
- Sliding escutcheon

### COLORS/FINISHES

- Polished Chrome
- Polished Nickel
- Satin Nickel
- Tuscan Brass
- Inca Brass
- Old Iron

### WARRANTY

- Two Years on Manufacturer Defects\*
- \* No Warranty on Tuscan Brass Finish (TCB)





## METAL SHOWER HOSE ASSEMBLY

ROHL Spa Shower Collection

**16295** (59" hose)

**16295/79** (79" hose)

### FEATURES

- Brass outer coil
- Double spiral
- PVC lining
- Does not warp or stretch
- 1/2" female connections
- Hose length:
  - 16295 - 59"
  - 16295/79 - 79"

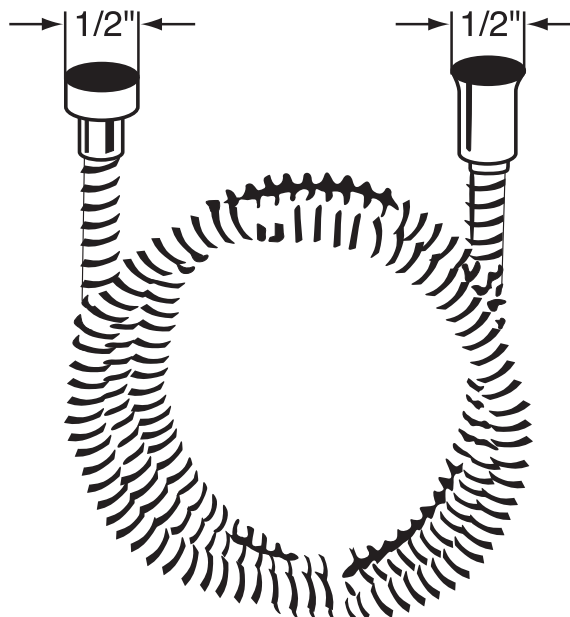
### COLOR/FINISH

- Polished Chrome
- Polished Nickel
- Satin Nickel
- Tuscan Brass
- Inca Brass
- Matte Black
- Old Iron \*

\*Old Iron finish only  
available for 16295

### WARRANTY

- 2-year Limited Warranty\*\*
- \*\* No warranty on Tuscan Brass





## 3-Function Showerhead

ROHL Shower Collection

### 1085/8

#### FEATURES

- All brass construction
- 3-function spray patterns
  - Classic Spray
  - Champagne
  - Massage
- 1/2" female connection
- 2.0 GPM
- Anti-calcium components

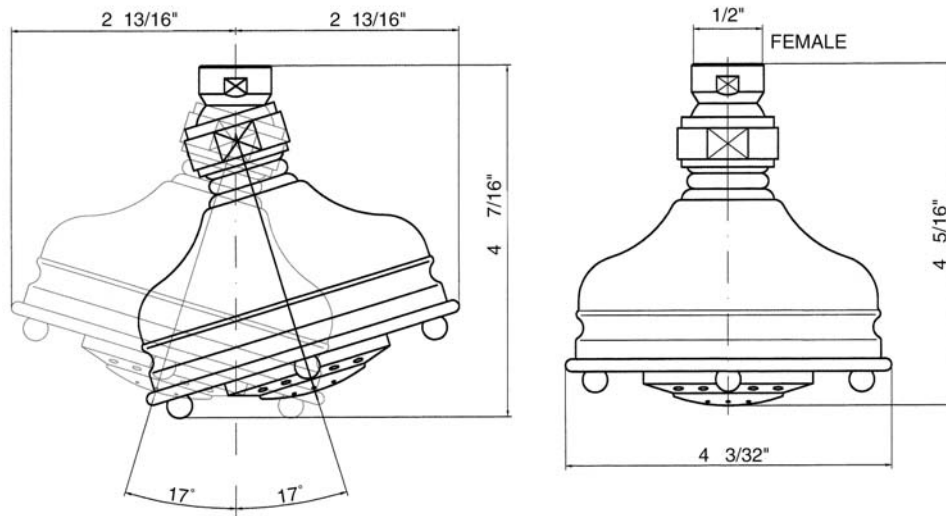
#### FINISHES

- Polished Chrome
- Polished Nickel
- Satin Nickel
- Tuscan Brass
- Inca Brass
- Old Iron

#### WARRANTY

- 2 years on manufacturer defects\*
- \* No Warranty on Tuscan Brass Finish (TCB)

1085/8







## Shower Arm

ROHL Shower Collection

**1440/6** 6" Shower Arm

**1440/8** 8" Shower Arm

### FEATURES

- Brass construction
- Sliding escutcheon
- 1/2" male thread inlet supply
- 1/2" male thread outlet supply

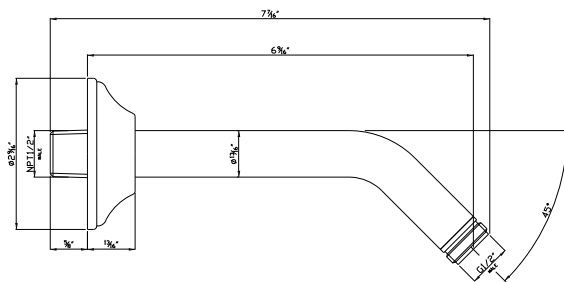
### COLORS/FINISHES

- Polished Chrome
- Polished Nickel
- Satin Nickel
- Tuscan Brass
- Inca Brass
- Old Iron

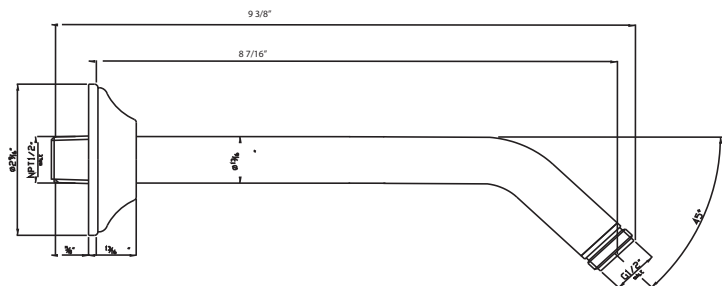
### WARRANTY

- 2 years on manufacturer defects\*

\* No Warranty On Tuscan Brass Finish (TCB)



**1440/6**



**1440/8**

# ROHL

Authentic Luxury for Kitchen and Bath®

www.rohlhome.com



## BORDANO ANTI-CAL SHOWERHEAD

ROHL Shower

- 1017/8 (5" Showerhead)
- 1027/8 (6" Showerhead)
- 1037/8 (8" Showerhead) (shown)
- 1047/8 (12" Showerhead)

### FEATURES

- Single-function Rain showerhead
- Flexible calcium resistant nozzles on spray face allow for easy removal of hard water build-up
- 1/2" female inlet with swivel connection
- Serviceable faceplate except 1037/8
- Flow rate 2.0 GPM
- Swivel ball replacement part #: 1590/8 (FINISH)
- Meets EPA WaterSense® criteria to conserve water without sacrificing performance

### COLORS/FINISHES

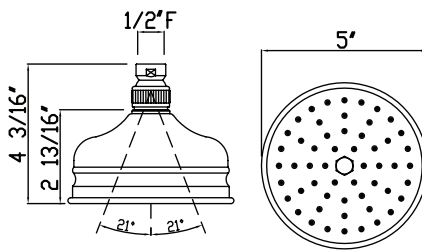
- Polished Chrome
- Polished Nickel
- Satin Nickel
- Tuscan Brass
- Inca Brass
- Old Iron\*

### WARRANTY

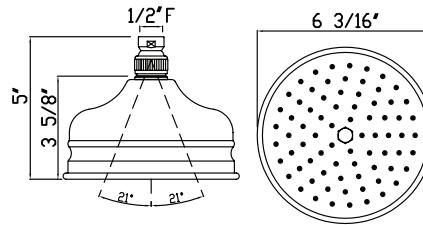
- 2 years on manufacturer defects\*
- \*No warranty for Tuscan Brass (TCB)

\*Old Iron only available on the 1037/8

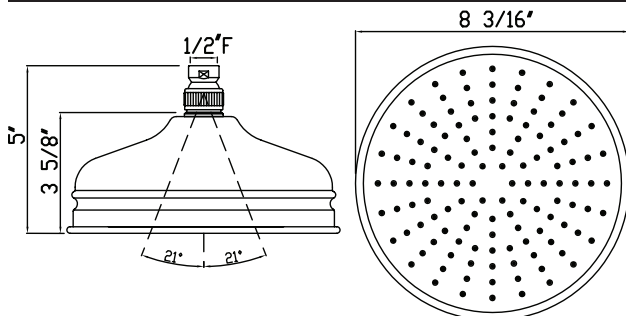
1017/8 (5")



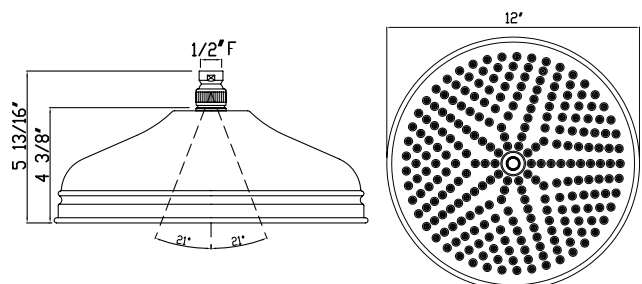
1027/8 (6")



1037/8 (8")



1047/8 (12")



Consult your local ROHL showroom for additional information and specifications. For complete warranty details and a list of showrooms, go to [www.rohlhome.com](http://www.rohlhome.com).





## Ceiling Shower Arm

ROHL Shower Collection

**1505/6** (6" Ceiling Shower Arm)

**1505/12** (12" Ceiling Shower Arm)

**1505/24** (24" Ceiling Shower Arm)

### FEATURES

- 1505/6: 6 11/16" Shower arm
- 1505/12: 12 5/8" Shower arm
- 1505/24: 24 7/16" Shower arm
- 1/2" male inlet, 1/2" male outlet
- Ceiling connected
- Solid brass construction

### COLORS/FINISHES

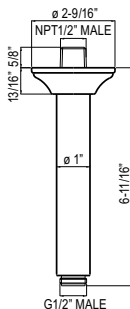
- Polished Chrome
- Polished Nickel
- Satin Nickel
- Tuscan Brass
- Inca Brass
- Old Iron\*

\*Old Iron not available for 1505/24

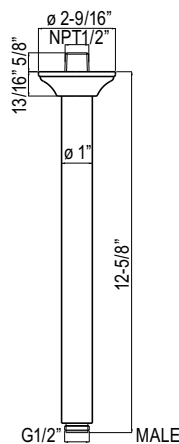
### WARRANTY

- 2 years on manufacturer defects\*
- \*No Warranty on Tuscan Brass Finish (TCB)

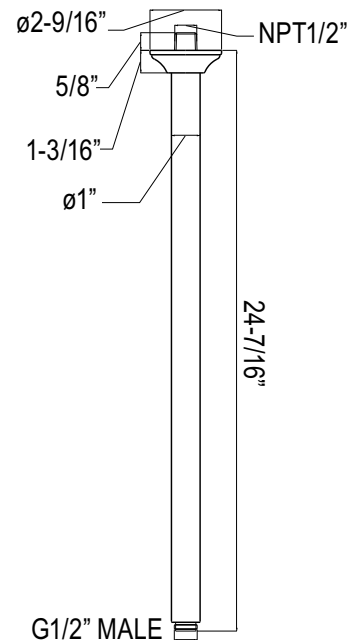
### 1505/6



### 1505/12



### 1505/24





## Multi-Function Body Spray

ROHL Shower Collection

### 1095/8

#### FEATURES

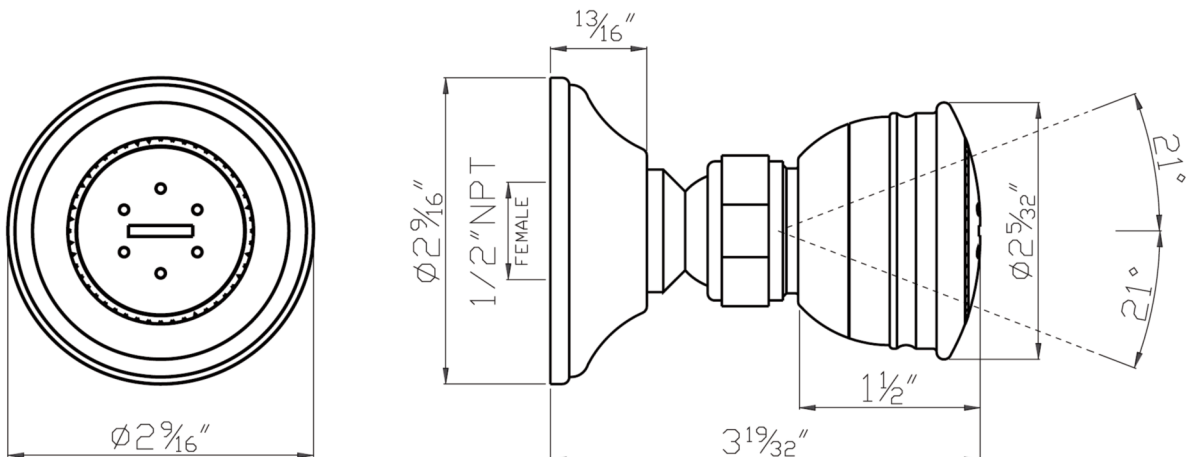
- Multi-function spray pattern
- 2-function spray patterns
  - Classic spray
  - Concentrated spray
- Solid brass
- 1/2" female connection
- Swivel ball-and-socket joint
- 1.0 GPM at 60 PSI
- Must loop body sprays when installing
- 90% shut-off position included
- Modern style escutcheon available, order ROGSCO14
- **Upon installation, two or more body sprays need to be installed in a loop to ensure equal pressure**

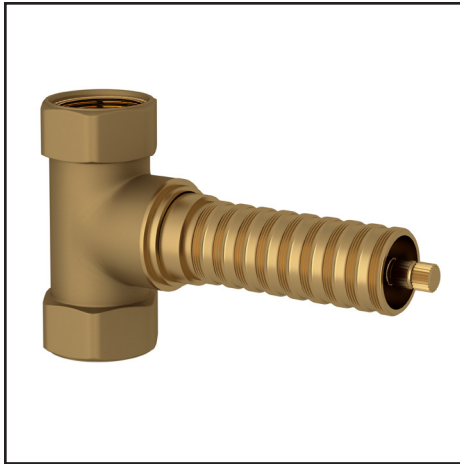
#### COLORS/FINISHES

- Polished Chrome
- Polished Nickel
- Satin Nickel
- Tuscan Brass
- Inca Brass
- Old Iron

#### WARRANTY

- Two Years on Manufacturer Defects\*
- \* No Warranty on Tuscan Brass Finish (TCB)





## UNIVERSAL 3/4" VOLUME CONTROL ROUGH VALVE

ROHL Spa Shower

**R1040R** (Counterclockwise Opening)

### FEATURES

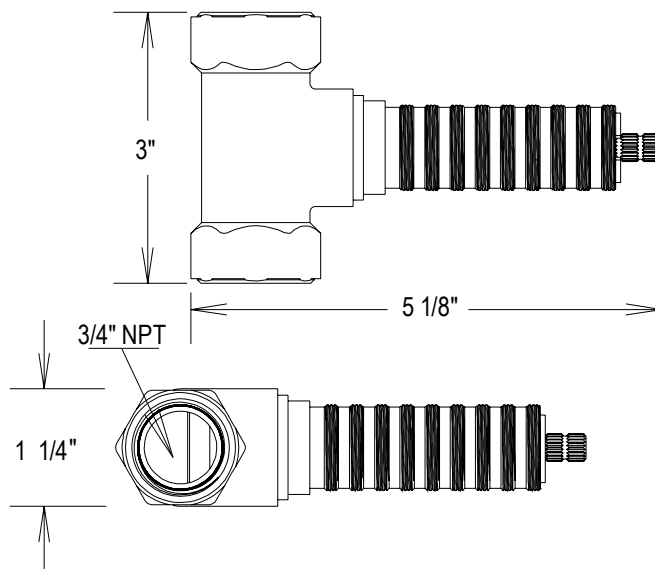
- Counterclockwise opening
- On/off volume control rough valve
- 3/4" NPT inlet/outlet
- Includes 2 5/8" extension kit. Extension may be cut to length required.
- Back of valve to finished wall 4 1/8" min., 4 5/8" max.
- Not suitable for deck installations
- Must order trim to complete
- For an additional 2 5/8" extension kit, order R3-056

### COLORS/FINISHES

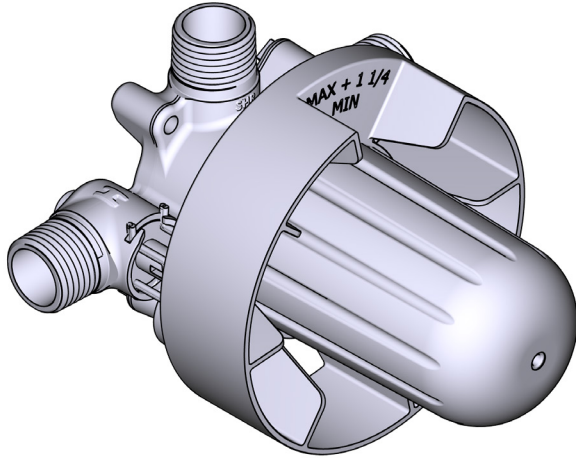
- Rough Only

### WARRANTY

- Limited Lifetime Warranty



**INSTRUCTION MANUAL**  
**MANUEL D'INSTRUCTIONS**  
**MANUAL DE INSTRUCCIONES**



2-Way Type T/P (Thermostatic/Pressure Balance)  
Coaxial Valve Rough

Brut de valve 2 voies coaxiale Type T/P  
(thermo/pression équilibrée)

Válvula coaxial de dos vías tipo T/P  
(termostática/equilibrio de presión)

**HELPFUL TOOLS**

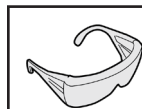
For safety and ease of installation, the use of these helpful tools is recommended.

**OUTILS UTILES**

Pour des raisons de sécurité et de facilité d'installation, l'utilisation de ces outils utiles est recommandée.

**HERRAMIENTAS ÚTILES**

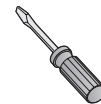
Por seguridad y facilidad de instalación, se recomienda el uso de estas útiles herramientas.



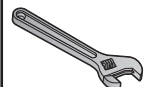
Safety Glasses  
Lunettes de sécurité  
Gafas de seguridad



Thread Seal Tape  
Ruban d'étanchéité pour  
joints filetés  
Cinta de teflón



Flathead Screwdriver  
Destornillador de punta chata  
Tournevis à tête plate



Adjustable Wrench  
Clé ajustable  
Llave ajustable

## Parts List

- A. Valve
- B. Valve Cover
- C. Plaster Ground
- D. Service Valve

*Note: Not a stop valve (may not shut off water completely)*

## Lista de piezas

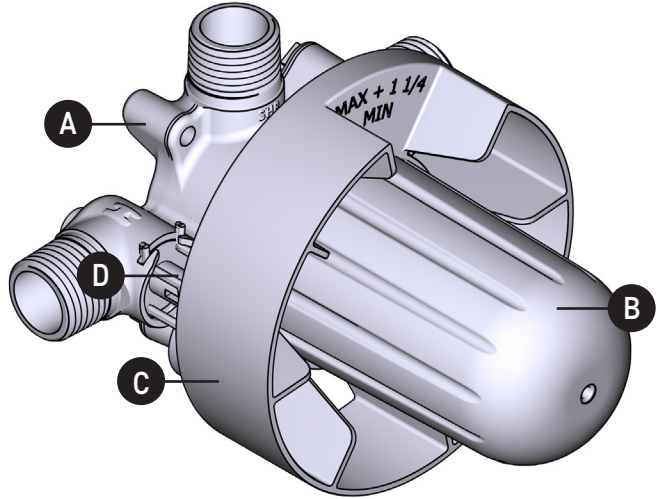
- A. Válvula
- B. Couvercle de la valve
- C. Gabarit d'installation
- D. Valve de service

*Remarque : Il ne s'agit pas d'une valve d'arrêt (elle ne peut couper entièrement l'alimentation en eau).*

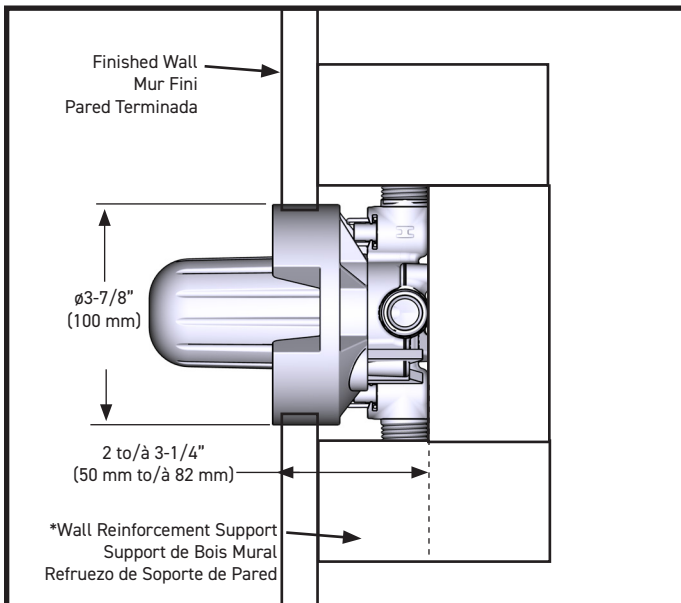
## Liste des pièces

- A. Válvula
- B. Cubierta de la válvula
- C. Protector de válvula
- D. Válvula de servicio

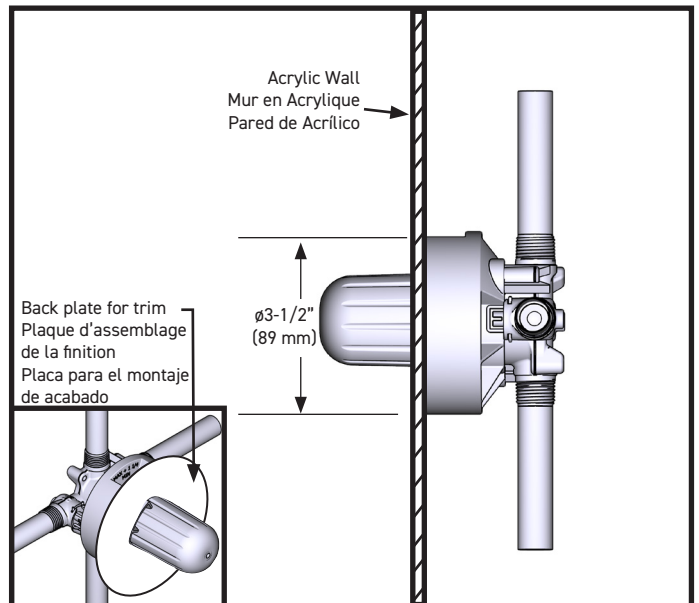
*Nota: No es una válvula de cierre (podría no cerrar el suministro de agua completamente)*



## Standard Wall / Mur standard / Pared estándar



## Acrylic Wall/Mur en Acrylique/Pared de Acrílico



### CAUTION – TIPS FOR REMOVAL OF OLD FAUCET:

Always turn water supply OFF before removing existing faucet or disassembling the valve. Open faucet handle to relieve water pressure and ensure that complete water shut-off has been accomplished.

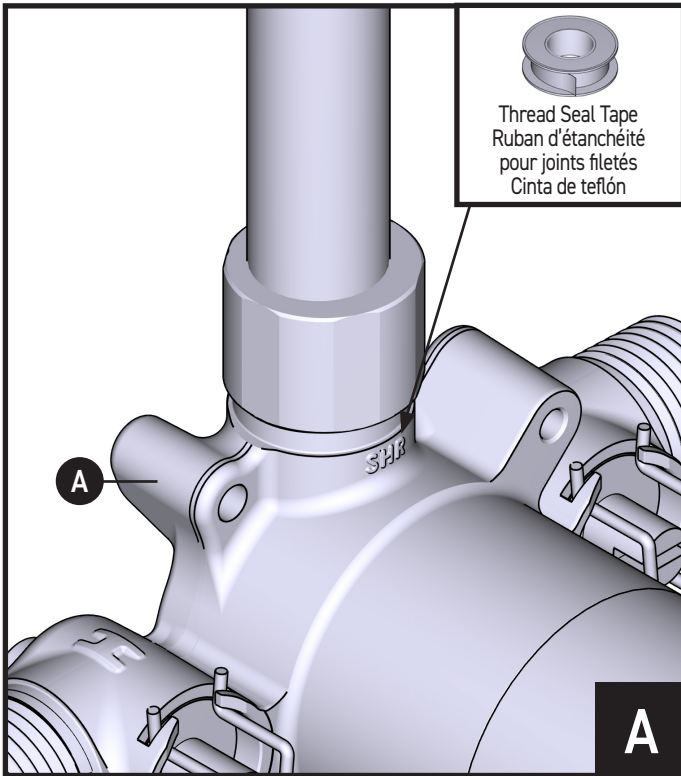
### ATTENTION – CONSEILS POUR LE RETRAIT DE L'ANCIEN ROBINET:

Toujours couper l'alimentation en eau avant de retirer ou de démonter le robinet. Ouvrir le robinet pour libérer la pression d'eau et pour s'assurer que l'alimentation en eau a bien été coupée.

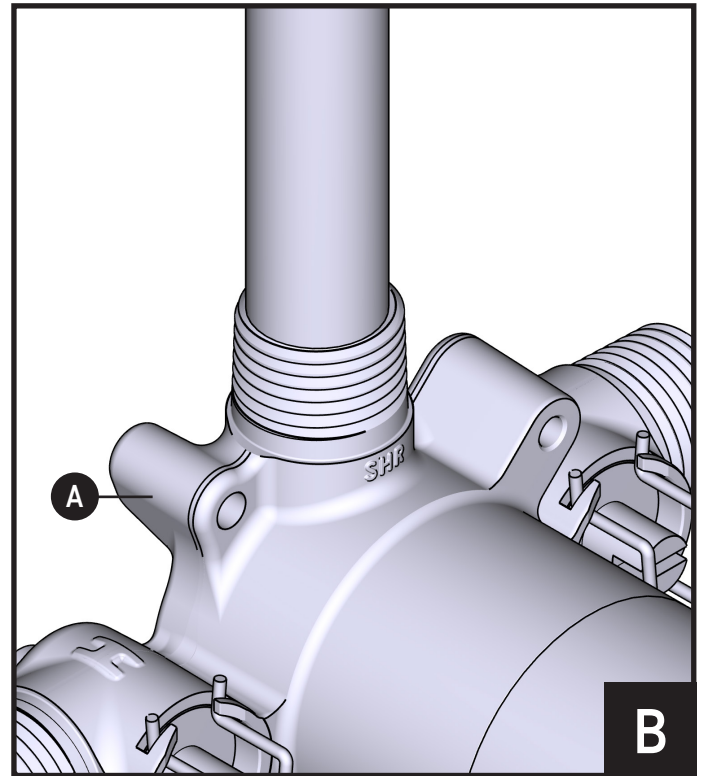
### PRECAUCIÓN – CONSEJOS PARA CAMBIAR LA LLAVE MEZCLADORA:

Siempre CIERRE la toma de agua antes de quitar la llave existente o desmontar la válvula. Abra la llave para liberar la presión, y asegúrese de que esté bien cerrada el agua.

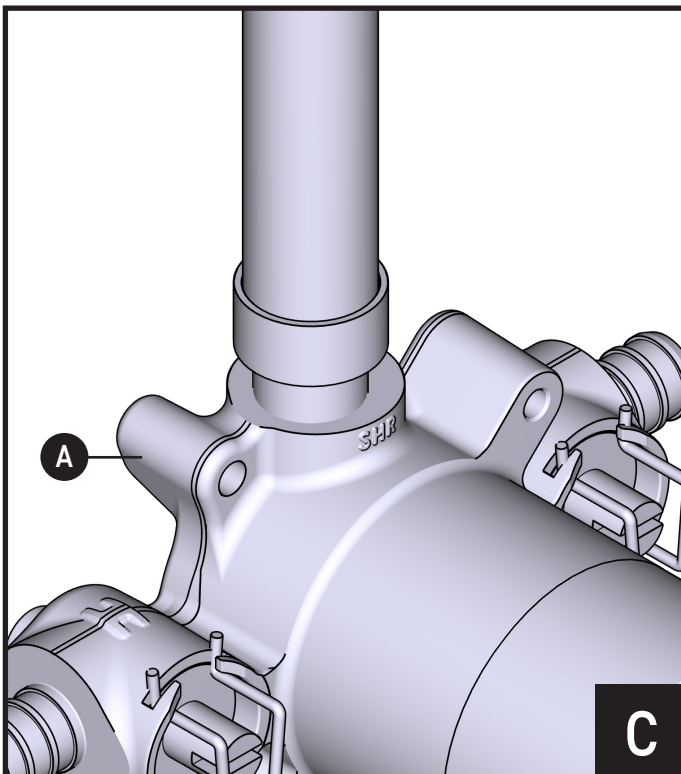




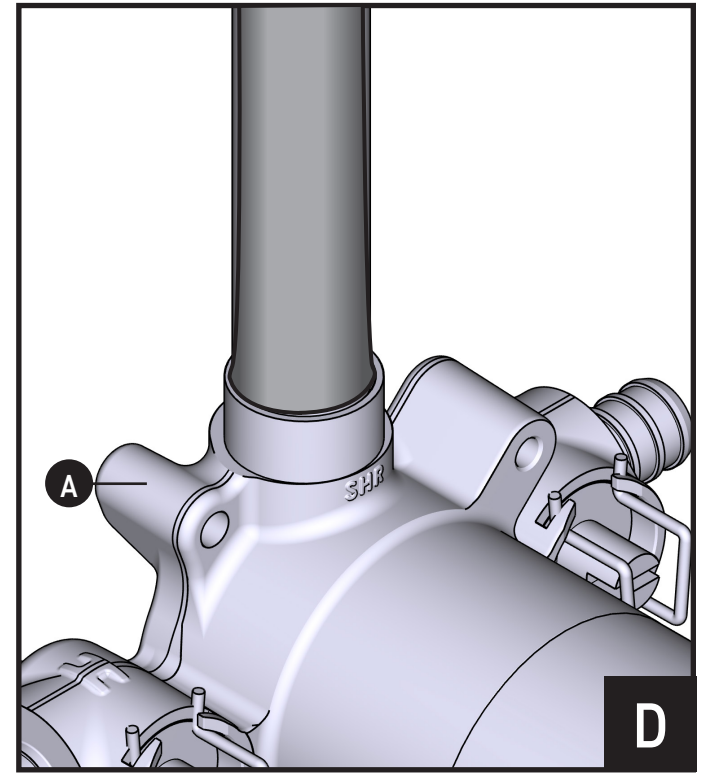
1. Apply 15-20 turns of Thread Seal Tape to threads of Valve **(A)**.
  2. Installation shows Male NPT type. Tighten with wrench.
1. Faire de 15 à 20 tours avec le ruban pour joint fileté autour des filets de la valve **(A)**.
  2. L'illustration montre une installation effectuée au moyen d'un raccord mâle de type NPT. Serrer le tout avec une clé.
1. Aplique 15-20 vueltas de cinta de teflón a la rosca de la válvula **(A)**.
  2. La instalación muestra una conexión macho de tipo NPT. Apriete con una llave.



1. Connect pipes to Valve **(A)**. Installation shows soldering.
1. Raccorder les tuyaux à la valve **(A)**. L'illustration montre le résultat d'une installation effectuée au moyen d'un brasage.
1. Conecte la tubería a la válvula **(A)**. La instalación muestra una soldadura.

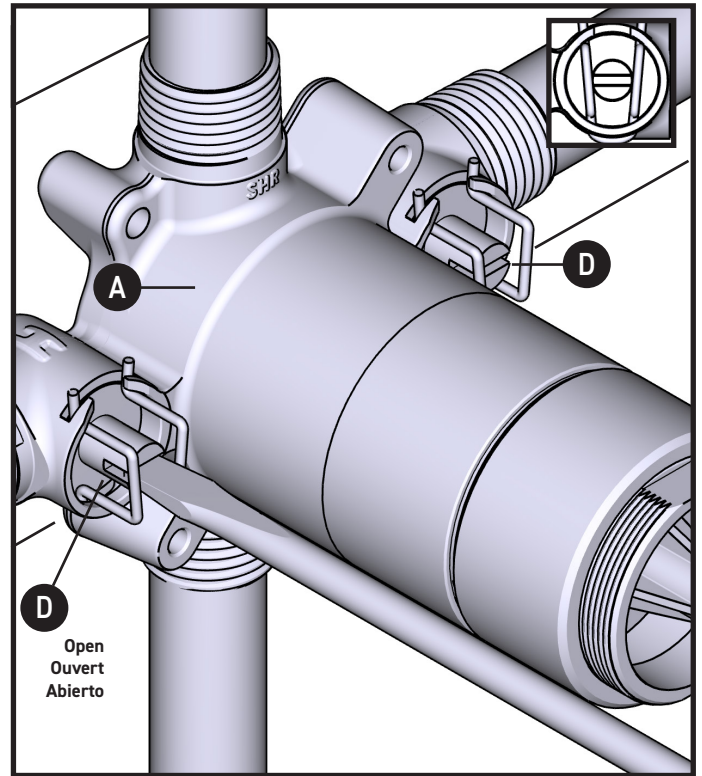
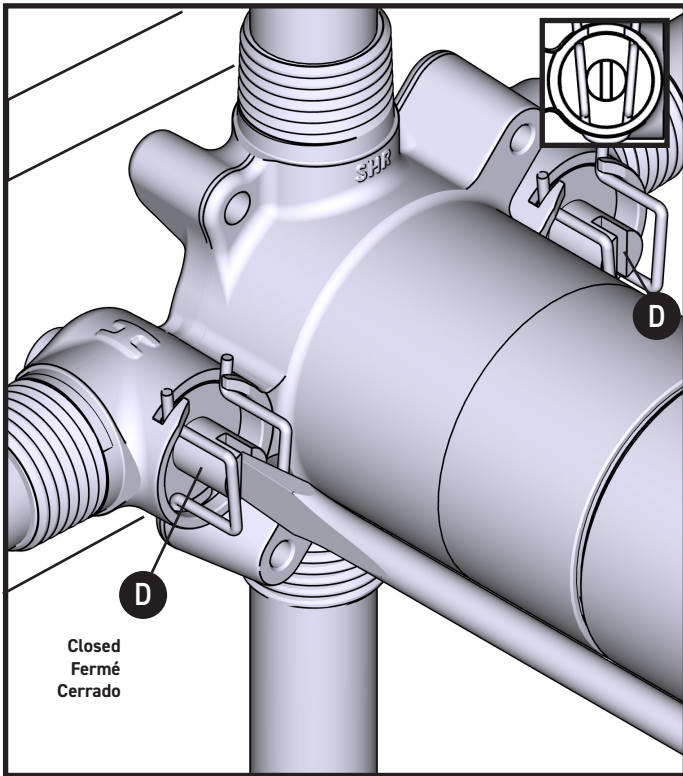


1. Connect pipes to Valve **(A)**. Installation shows PEX.
1. Raccorder les tuyaux à la valve **(A)**. L'illustration montre une installation effectuée au moyen d'un raccord PEX.
1. Conecte la tubería a la válvula **(A)**. La instalación muestra una conexión PEX.



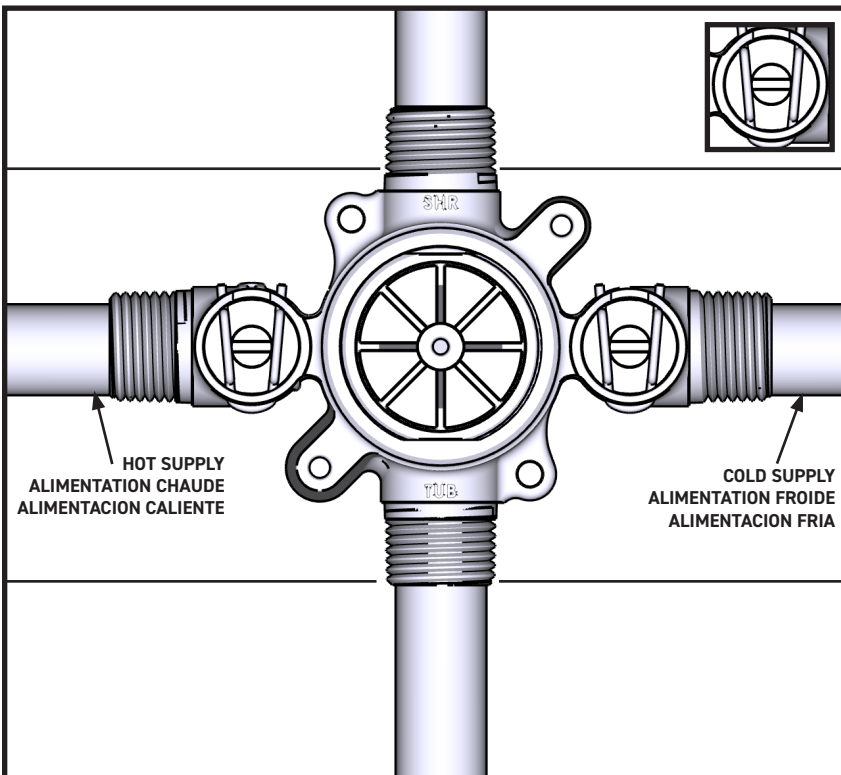
1. Connect pipes to Valve **(A)**. Installation shows CPEX (cold expansion PEX).
1. Raccorder les tuyaux à la valve **(A)**. L'illustration montre une installation effectuée au moyen d'un raccord CPEX (raccord de dilatation à froid PEX).
1. Conecte la tubería a la válvula **(A)**. La instalación muestra una conexión CPEX (con dilatación en frío PEX).



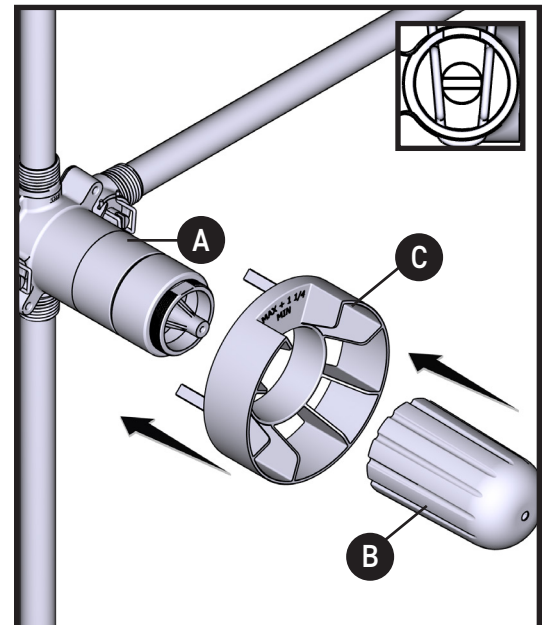


1. Using a flathead screwdriver, rotate the Service Valves (D) to the open position. (Illustration shown is the closed position.)
1. À l'aide d'un tournevis à tête plate, en faisant pivoter les valves de service (D), les placer à la position « ouverte ». (Dans l'illustration ci-dessus, les valves sont à la position « fermée ».)
1. Con un destornillador de punta plana, gire las válvulas de servicio (D) a la posición abierta. (La ilustración que se muestra está en posición cerrada).

1. Ensure Service Valves (D) are now in the open position as illustrated.
1. S'assurer que les valves de service (D) se trouvent maintenant dans la position « ouverte », comme illustré ci-dessus.
1. Asegúrese de que las válvulas de servicio (D) estén ahora en la posición abierta como se muestra.



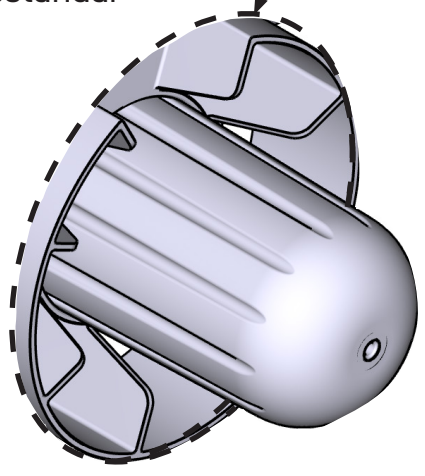
1. Check for leaks. **Cap outlets to keep under pressure.**
1. S'assurer qu'il n'y a aucune fuite. **Bloquer les sorties pour garder sous pression.**
1. Verifique que no haya fugas. **Tape las salidas para mantener baja presión.**



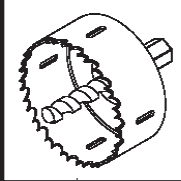
1. Install Plaster Ground (C) and Valve Cover (B) onto Valve (A).
1. Installer le gabarit d'installation (C) et le couvercle de la valve (B) sur la valve (A).
1. Instale el protector de válvula (C) y la cubierta de la válvula (B) en la válvula (A).

Standard Wall  
Mur standard  
Pared estándar

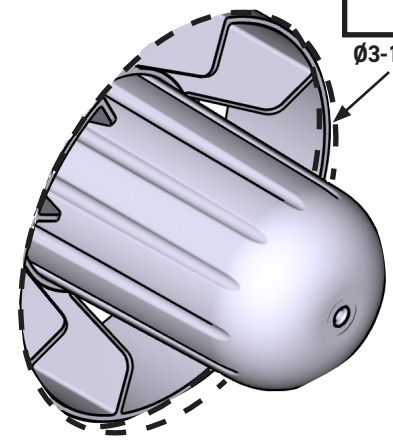
Ø3-7/8" (100mm)

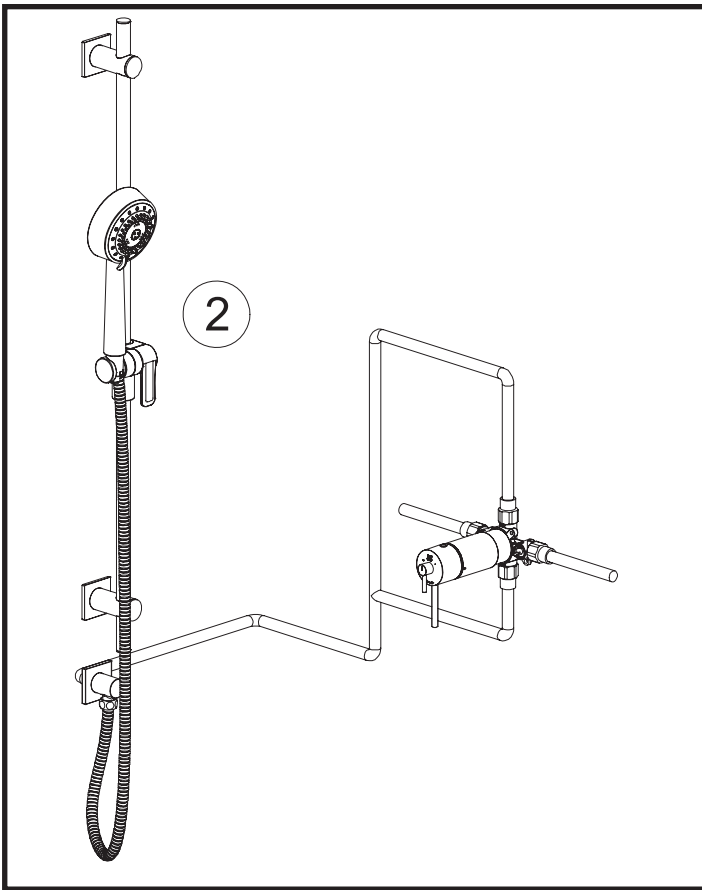


Acrylic Wall  
Mur en Acrylique  
Pared de Acrílico

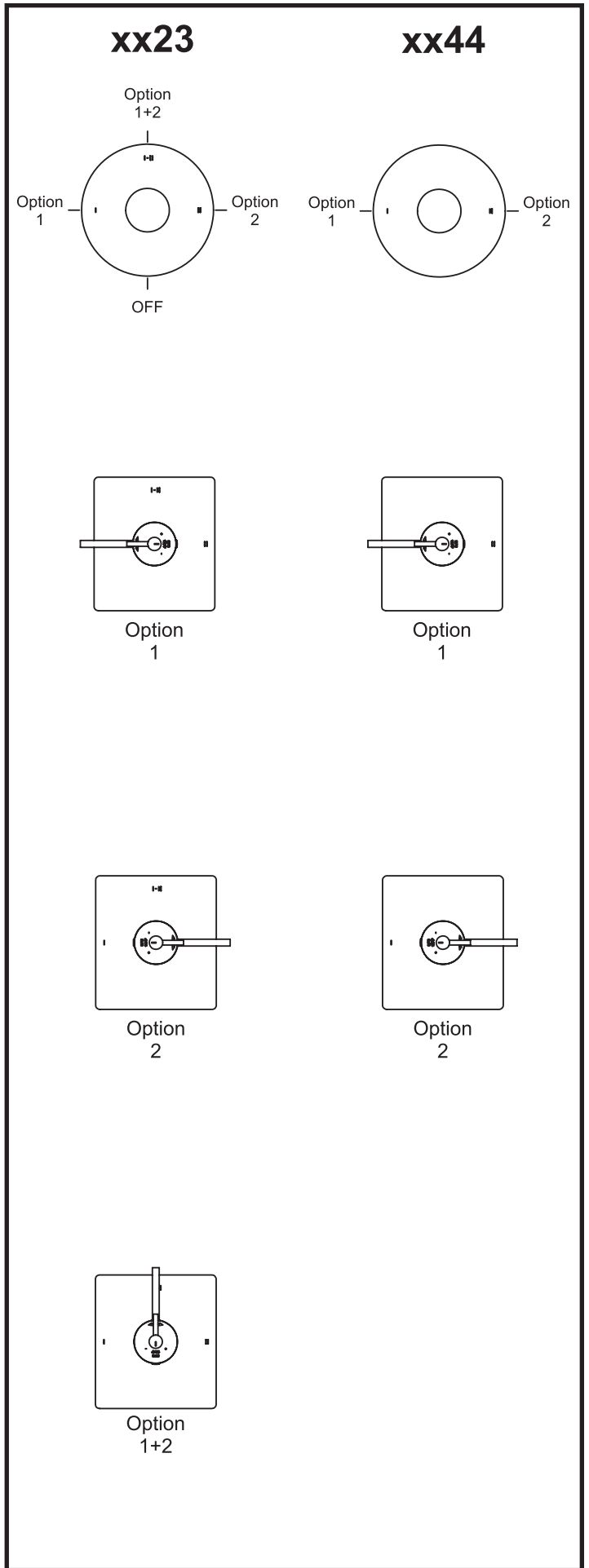
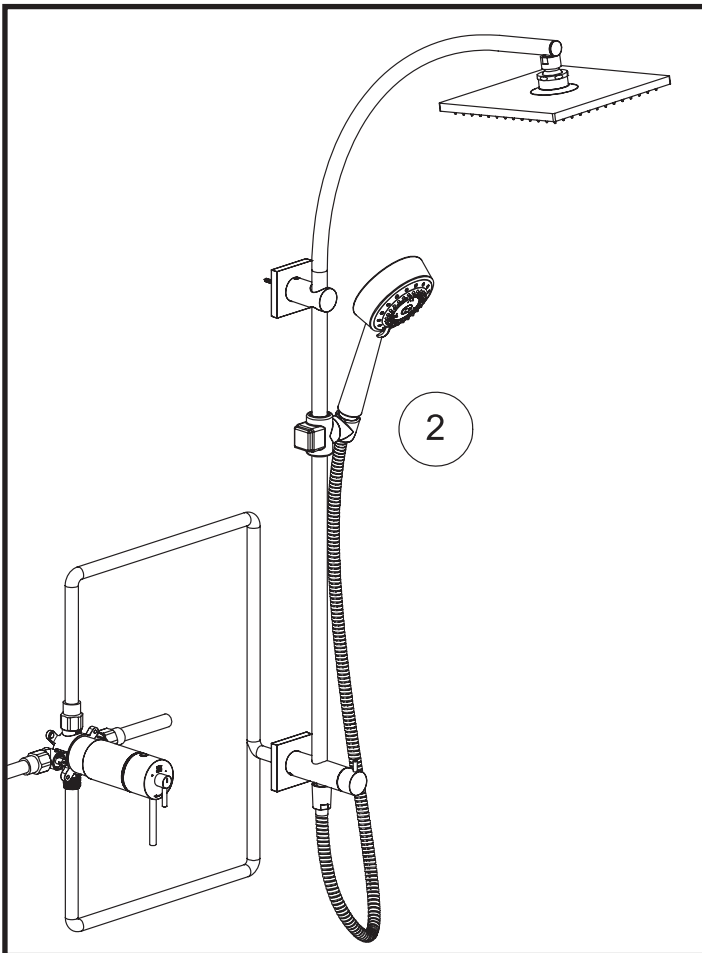


Ø3-1/2" (89mm)





Installation A / Installation A / Instalación A







## LIMITED WARRANTY GARANTIE LIMITÉE GARANTÍA LIMITADA

Most products or parts carry "Limited Warranties" against manufacturing defects.  
For US Customers please visit [houseofrohl.com/support](http://houseofrohl.com/support) and for Canadian customers please visit [riobel.ca](http://riobel.ca)  
for complete product and finish warranty.

La plupart des produits ou pièces comprend des «garanties limitées» contre les défauts de fabrication. Pour les clients des États-Unis : veuillez consulter [houseofrohl.com/support](http://houseofrohl.com/support); Pour les clients du Canada : veuillez consulter [riobel.ca](http://riobel.ca) pour connaître les conditions complètes de la garantie des produits et finis.

La mayoría de los productos o piezas presentan "Garantías limitadas" contra defectos de fabricación. La mayoría de los productos o piezas cuentan con "Garantías Limitadas" por defectos de fabricación. A los clientes en EE. UU. se les recomienda visitar [houseofrohl.com/support](http://houseofrohl.com/support) y a los clientes en Canadá, [riobel.ca](http://riobel.ca), para consultar las condiciones completas de la garantía de los productos y acabados.

## FINISH CARE & MAINTENANCE ENTRETIEN DE VOTRE FINI CUIDADO Y MANTENIMIENTO DEL ACABADO

The finishing touch on every product is its exquisite surface. Great care has been taken to ensure that the final step in the manufacturing - whether it is a sink, faucet, fitting or an accessory - delivers perfection. Like any quality item, no matter how durable, care should be taken when cleaning and maintaining these finishes. For US Customers please visit [houseofrohl.com/support](http://houseofrohl.com/support) and for Canadian customers please visit [riobel.ca](http://riobel.ca) for complete finish care and cleaning instructions for your particular finish.

Ce qui distingue nos robinets des autres produits, c'est leur surface d'une beauté exceptionnelle. Un grand soin a été pris pour que la dernière étape de la fabrication - que ce soit pour un évier, un robinet, une composante ou un accessoire - soit fait à la perfection. Comme pour tout article de grande qualité, quelque soit sa durabilité, des précautions doivent être prises lors du nettoyage et de l'entretien des finis. Pour les clients des États-Unis : veuillez consulter [houseofrohl.com/support](http://houseofrohl.com/support); Pour les clients du Canada : veuillez consulter [riobel.ca](http://riobel.ca) pour connaître les instructions complètes d'entretien et nettoyage des finis.

El toque final de todo producto es su exquisita superficie. Se ha tenido sumo cuidado para asegurar que el último paso de la fabricación - ya sea de un fregadero, una mezcladora, un herraje o un accesorio - tenga como resultado la perfección. Como con cualquier artículo de calidad, no importa cuán duradero, se debe tener ciertos cuidados al limpiar y mantener estos acabados. A los clientes en EE. UU. se les recomienda visitar [houseofrohl.com/support](http://houseofrohl.com/support) y a los clientes en Canadá, [riobel.ca](http://riobel.ca), para ver las instrucciones completas de cuidado y mantenimiento de su acabado particular.

## CUSTOMER CARE SERVICE À LA CLIENTÈLE ATENCIÓN AL CLIENTE

The House of Rohl® Customer Care Team is committed to efficiently serve and support; and to do so with respect, honesty, and genuineness. We will passionately work together to always exceed our customers' expectations. We strive to delight and surprise our customers, as well as our business partners. To contact one of our Customer Care Team members:

L'équipe du Service à la clientèle de House of Rohl® s'engage à servir et à soutenir nos clients de manière efficace, respectueuse, honnête et authentique. Nous travaillons avec acharnement pour toujours dépasser les attentes de nos clients afin de les ravir et de surprendre, ainsi que celles de nos partenaires d'affaires. Pour contacter le département du Service à la clientèle :

El equipo de Atención al Cliente de House of Rohl® tiene el compromiso de atender y apoyar eficientemente, y de hacerlo con respeto, honestidad y autenticidad. Juntos trabajaremos con entusiasmo para superar siempre las expectativas de nuestros clientes. Nos esforzamos por sorprender agradablemente tanto a nuestros clientes como a nuestros socios comerciales. Para ponerse en contacto con los miembros de nuestro equipo de Atención al Cliente:

U.S.A.  
HOUSEOFROHL.COM  
1-800-777-9762

QUEBEC / WEST CANADA / ATLANTIC CANADA  
HOUSEOFROHL.CA  
1-866-473-8442

ONTARIO  
HOUSEOFROHL.CA  
1-888-287-5354

A DISTINCTIVE MEMBER OF THE HOUSE OF ROHL  
UN MEMBRE DISTINCTIF DE HOUSE OF ROHL  
MIEMBRO DISTINTIVO DE LA FAMILIA HOUSE OF ROHL



## 3-FUNCTION 5" HANDSHOWER

50126HS3

### FEATURES

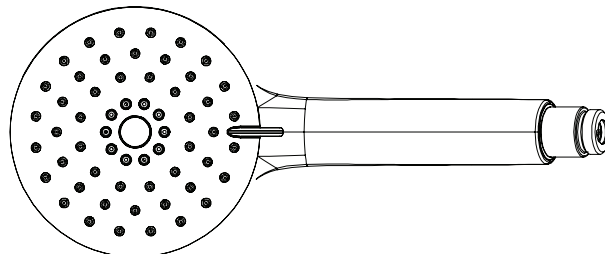
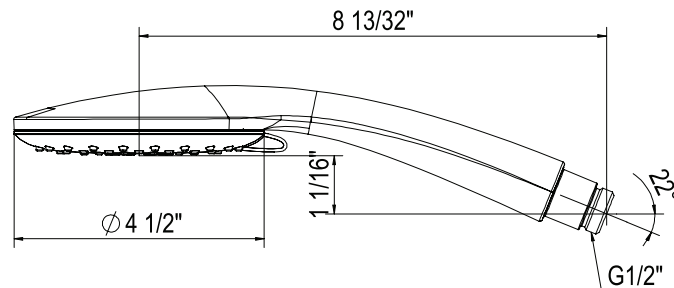
- Complements Tenerife™ collection and other transitional designs
- 1.75 GPM at 60 PSI (CEC compliant)
- 3-function spray patterns
  - Rain
  - Rain/Massage
  - Massage
- 1/2" male connection
- Matches: 310127 Shower Bar

### COLORS/FINISHES

- Polished Chrome
- Polished Nickel
- Satin Nickel
- Matte Black
- Antique Gold

### WARRANTY

- 2-year Limited Warranty





## VERONA TRIM ONLY FOR THERMOSTATIC NON-VOLUME CONTROLLED VALVE

ROHL Country Bath Collection

A2914LM (Metal Lever)  
A2914XM (Cross Handle)

### FEATURES

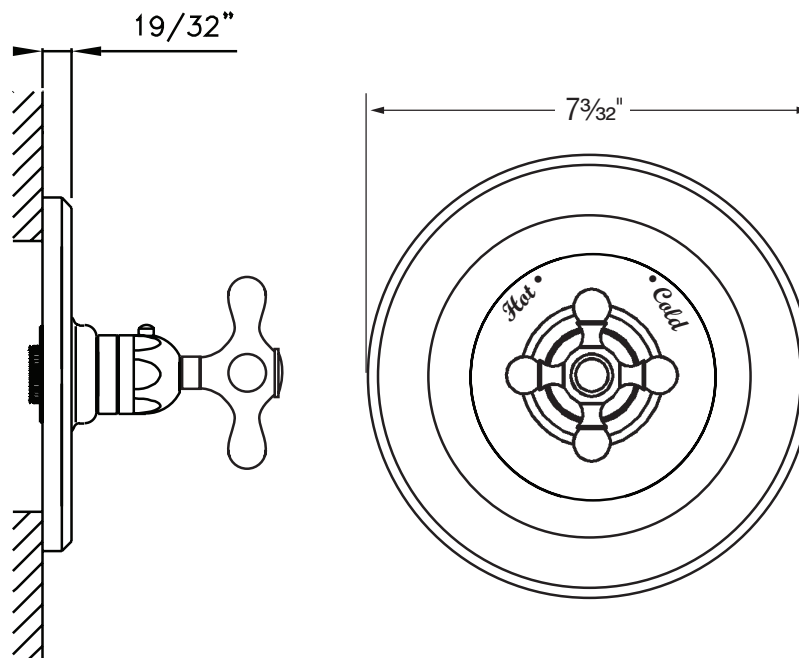
- Trimplate and temperature control cross handle for the R1085BO rough valve
- Brass construction
- Temperature control includes pre-set safety stop with override
- Must order R1085BO rough valve to complete
- Extension kit included for installation with R1085BO universal rough valve

### COLORS/FINISHES

- Polished Chrome
- Polished Nickel
- Satin Nickel
- Tuscan Brass
- Inca Brass

### WARRANTY

- Limited Lifetime\*
- \*No warranty on Tuscan Brass Finish (TCB)





VERONA TRIM ONLY FOR 3/4" VOLUME CONTROL AND 4 - PORT DEDICATED DIVERTER

ROHL Country Bath Collection

**A2912LM** (Metal Lever)

**A2912XM** (Cross Handle)

## FEATURES

- Trim set with escutcheon, dome, and handle only to:
  - A4911BO 3/4" volume control rough
  - R1040R 3/4" volume control rough
  - R1062BO dedicated 4-port, 3-way diverter rough
- **Must order rough to complete**
- All components made of brass

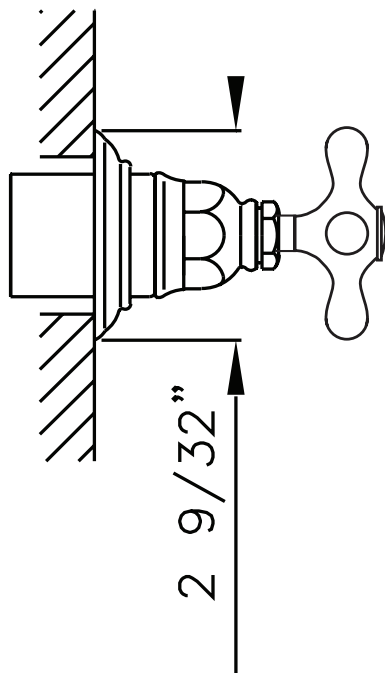
## COLORS/FINISHES

- Polished Chrome
- Polished Nickel
- Satin Nickel
- Tuscan Brass
- Inca Brass

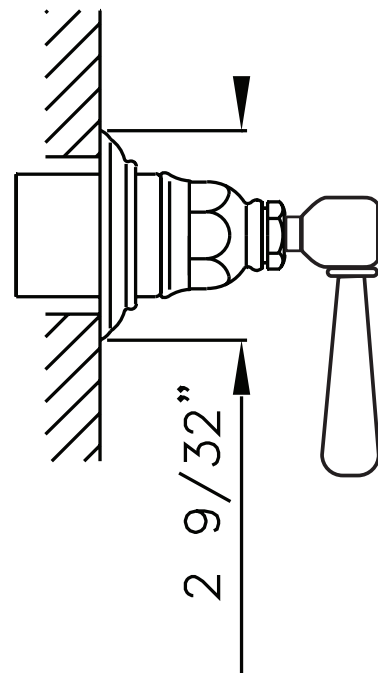
## WARRANTY

- Limited Lifetime\*
- \*No warranty on Tuscan Brass finish

A2912XM

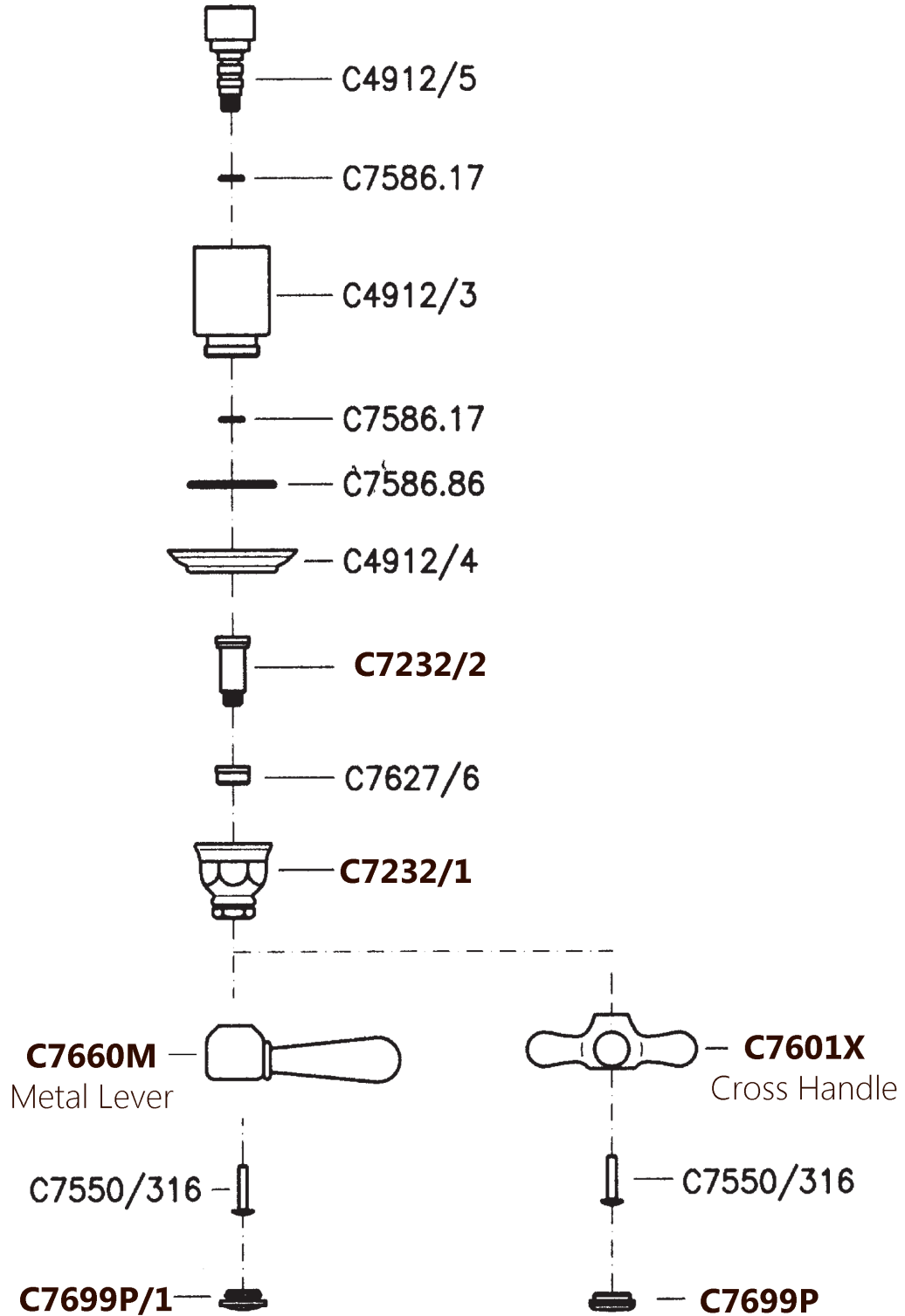


A2912LM



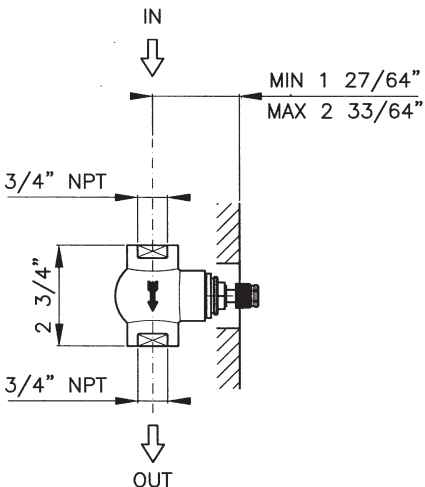
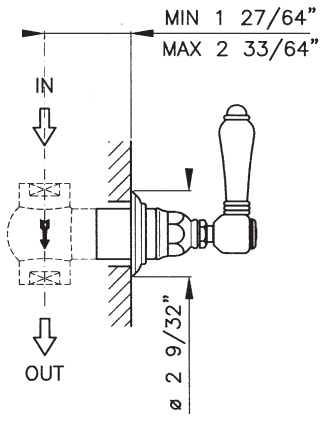


## A2912 Spare Parts



## INSTALLATION INSTRUCTIONS

### Installation Guide

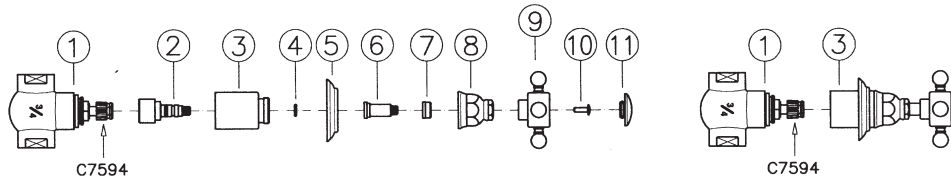
Installation guide											
<p><b>Volume control inside part</b></p> <p>Art. A4911B0</p> 	<p><b>Volume control external part</b></p> <table border="0"> <tr> <td>Art. A2912XM--TO</td> <td>A4712LM--TO</td> </tr> <tr> <td>Art. A4912X--TO</td> <td>A4912LH--TO</td> </tr> <tr> <td>Art. A4912LC--TO</td> <td>A2912LM--TO</td> </tr> <tr> <td>Art. A4912LM--TO</td> <td>A4912XM--TO</td> </tr> <tr> <td>Art. A4912LP--TO</td> <td>A4912XC--TO</td> </tr> </table> 	Art. A2912XM--TO	A4712LM--TO	Art. A4912X--TO	A4912LH--TO	Art. A4912LC--TO	A2912LM--TO	Art. A4912LM--TO	A4912XM--TO	Art. A4912LP--TO	A4912XC--TO
Art. A2912XM--TO	A4712LM--TO										
Art. A4912X--TO	A4912LH--TO										
Art. A4912LC--TO	A2912LM--TO										
Art. A4912LM--TO	A4912XM--TO										
Art. A4912LP--TO	A4912XC--TO										
<p><b>Preliminary information</b></p> <ol style="list-style-type: none"> <li>1. The A4911B0 and A4912 trim kit are separate units. You must order both to complete the package.</li> <li>2. The A4911B0 has the adaptor C7594 in the box</li> <li>3. The A4911B0 is port specific. Make sure the arrow points in the direction of the flow.</li> <li>4. 1 1/2" extension kit C4912 is available. Must order separately.</li> </ol>											
<p><b>a - Preparation</b></p> <ol style="list-style-type: none"> <li>1. Flush the system before and after installation.</li> </ol>											
<p><b>b - Assembly of inside body</b></p> <ol style="list-style-type: none"> <li>1. Estimate the finished wall and install the rough at the required depth.</li> <li>2. Make sure the arrow on the body point in the direction of the flow.</li> <li>3. <b>DO NOT SOLDER THE CONNECTIONS:</b> Heating the valve will damage the cartridge. <u>There is no warranty on cartridges damaged by heat.</u></li> <li>4. Leave the plastic mudguard in place if further work is done in the area.</li> </ol>											

## INSTALLATION INSTRUCTIONS

### c - Assembly of external part

Please note: The trim kit is assembled out of the box. There are no parts assembled. Parts 2 through 11 are preassembled.

1. Remove the mudguard.
2. Confirm the installation of adaptor C7594.
3. Position the lever at 12 o'clock and screw the body #3 on to the rough valve #1 with the adaptor C7594 in place. Please note: Part #2 is a part of the assembly and not an extension. The extension kit is number C4912 and is not part of the trim assembly. It must be ordered separately.



### d - Before use

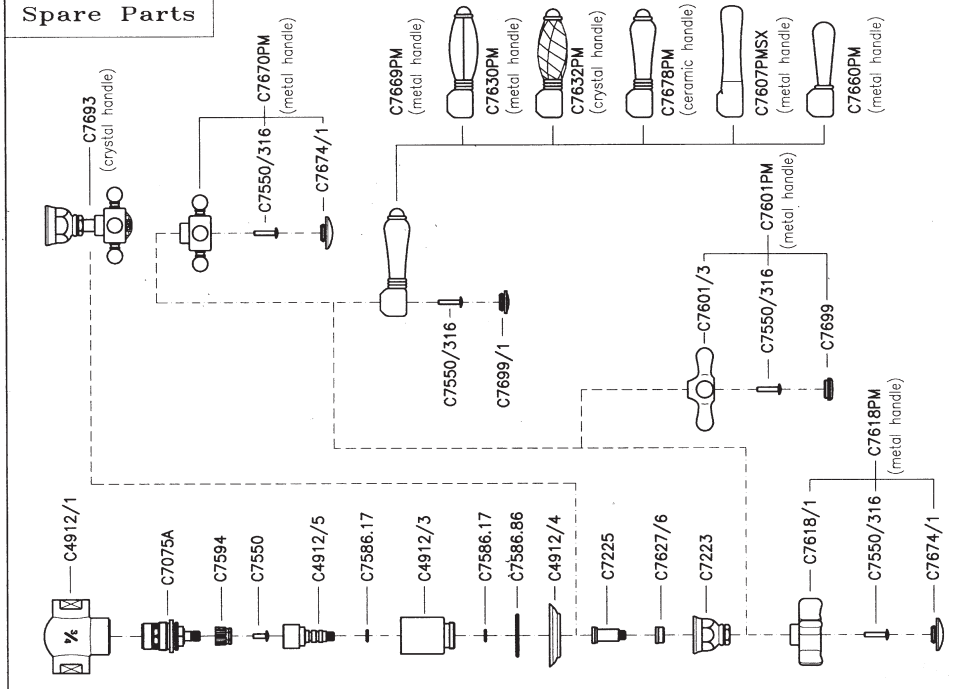
Turn on the water supply to the faucet.  
 Maximum temperature water supply to the faucet is 145° F.  
 Maximum recommended pressure is 75 psi.

CHECK THE INSTALLATION CAREFULLY FOR LEAKS AFTER INSTALLATION.

If further building work is to be carried out in the vicinity of the faucet, it should be covered to prevent paint, adhesive, etc. from damaging the surface.

## CARE AND MAINTENANCE

### Spare Parts



## INSTALLATION INSTRUCTIONS

### Care and use for finishes

Country Bath Products are all authentic finishes that have not been coated with any product.

After each use, pat the fixture down to remove any excess water. This will prevent any water spotting or mineral build-up. Use only soft liquid soap and water to clean the surface. Use a soft brush to clean any gaps. Avoid any products that have ammonia or alcohol like Windex, 409 or Fantastik. These products can damage the finish leaving black or white spots. Never use an abrasive product like Softscrub, Comet, Ajax or Bon Ami.

For deep polishing we recommend Bruno's Wax for all finishings.

Tuscan Brass is a living finish and has no warranty. It will lighten with use. To extend the life of the finish, apply Bruno's Wax by patting it on, letting it dry and patting it off. Never rub or buff this finish.

## WARRANTY

Country Bath Collection has a limited lifetime warranty.

"Warranty Exclusion: This warranty is for normal domestic use only and excludes defect or injury caused by or resulting from misuse, abuse, neglect, accidental damage or improper installation". There is no warranty on the finish Tuscan Brass.

## INSTALLATION INSTRUCTIONS

### ROHL R1040R

Rough 3/4" Counterclockwise Opening  
Concealed Wall Valve for Volume Control

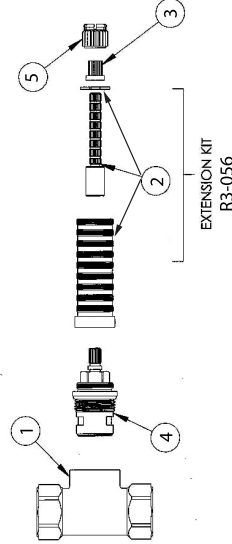
#### INSTALLATION INSTRUCTIONS

\*SUITABLE FOR PERRIN & ROWE, ROHL COUNTRY,  
AND MICHAEL BERMAN SHOWER INSTALLATIONS

**WORKS WITH THESE TRIM SETS:**

Perrin & Rowe	Nicolazzi	Michael Berman
U.5542 U.5543	A4912	MB1951
U.5742 U.5743	A2912	
U.3240 U.3241	A4012	
U.3774 U.3775	A4212	
U.3604 U.3605		

ITEM NO	PART NUMBER	DESCRIPTION	QTY.
1	N/A	3/4 SHUTOFF TEE	1
2	R3-056	20 PT. BROACH STABILIZER	1
		20 POINT BROACH EXTENSION	1
		N24X1.0 ALL THREAD EXTENSION	1
3	9.15402	STEM ADAPTOR FOR PERRIN & ROWE	1
4	10215	STANDARD COUNTERCLOCKWISE CARTRIDGE	1
	10214	CLOCKWISE CARTRIDGE (SOLD SEPARATELY)	1
5	R30083	STEM ADAPTOR NICOLAZZI	1



#### ROHL WARRANTY POLICY

- ROHL PRODUCTS ALL CARRY WARRANTIES AGAINST MANUFACTURING DEFECTS.
- THE R1040R VALVES CARRY A LIMITED LIFETIME WARRANTY.
- ROHL LLC WILL PROVIDE FREE OF CHARGE, AT ITS OPTIONS, REPLACEMENT PART(S) OR PRODUCT (OR A COMPARABLE ALTERNATIVE PRODUCT) TO REPLACE THOSE WHICH HAVE PROVEN DEFECTIVE IN MATERIALS OR WORKMANSHIP.

#### SPARE PARTS AND SERVICE:

ROHL  
3 PARKER  
IRVINE, CA 92618  
P (714) 557-1933  
F (714) 557-8635  
WWW.ROHLHOME.COM

## INSTALLATION INSTRUCTIONS

**FINISHED WALL**

Adaptors NOT needed if used for Michael Berman Volume Control

\*Attention Installer: There are two adaptors on the valve reference trim set for correct adaptor.

**NOTE: Valves must be installed according to direction of flow**

**REQUIRED MEASUREMENTS**

**A** = 1 1/8" MIN.  
**B** = ~5/16" (MUST LEAVE MIN. 5/16" EXPOSED OR TRIM WILL NOT FIT)  
**C** = ~3/4" (MUST LEAVE MIN. 3/4" EXPOSED OR HANDLE WILL NOT ATTACH)

**BEFORE USE:**

- CAREFULLY CHECK THE INSTALLATION FOR LEAKS.
- IF FURTHER WORK IS GOING TO BE DONE IN THE VICINITY OF THE VALVE AND TRIM, COVER THE INSTALLATION WITH A PLASTIC BAG TO HELP AVOID DAMAGE TO THE FINISH.

**CARE AND MAINTENANCE:**

- RECOMMEND OCCASIONAL CLEANING WITH WARM SOAPY WATER FOLLOWED BY POLISHING WITH A SOFT CLOTH TO KEEP THE PLATED FINISH IN GOOD CONDITION.
- DO NOT USE ABRASIVE LIQUIDS, POWDERS, OR PADS TO CLEAN THE PRODUCT. YOU WILL DAMAGE THE FINISH AND VOID THE WARRANTY.

**SPECIFICATIONS**

TEMPERATURE RANGE:

- MINIMUM 34°F
- MAXIMUM 185°F

RECOMMENDED OPERATING PRESSURE:

- MINIMUM 15 PSI
- MAXIMUM 75 PSI

**INSTALLATION NOTES**

- MUST HAVE BOTH ROUGH AND TRIM TO COMPLETE THE INSTALLATION.
- FLUSH THE PLUMBING SYSTEM BEFORE INSTALLING THIS PRODUCT.
- MUST FOLLOW DIMENSIONS SUPPLIED FOR INSTALLATION AND MAKE SURE ALLOWANCE IS MADE FOR FINISHED WALL MATERIAL SUCH AS TILE, ETC.
- MUST INSURE THE HANDLE IS VERTICAL WHEN THE VALVE IS IN THE "OFF" POSITION.

Inlet Only

**NOTE: Lever should be in UP position for 'off' (Michael Berman trim shown).**

**IMPORTANT:** WE RECOMMEND THE USE OF A LICENSED PLUMBER TO INSTALL THIS PRODUCT. PLEASE READ AND UNDERSTAND THE PROVIDED INSTALLATION INFORMATION BEFORE PROCEEDING.

## INSTALLATION INSTRUCTIONS

### ROHL® R1062BO

Rough 1/2" Quarter Turn Concealed  
Wall Valve Three-Way Diverter

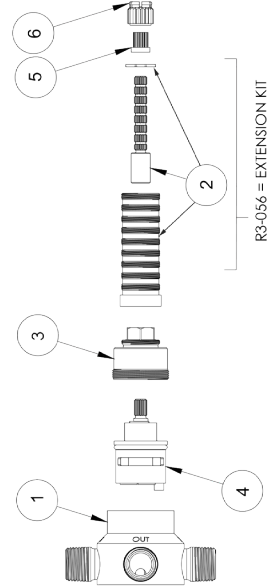
#### INSTALLATION INSTRUCTIONS

\*SUITABLE FOR PERRIN & ROWE, ROHL COUNTRY,  
AND MICHAEL BERMAN SHOWER INSTALLATIONS

**WORKS WITH THESE TRIM SETS:**

Perrin & Rowe	Nicolazzi	Michael Berman
U.5542 U.5543	A4912	MB1951
U.5742 U.5743	A2912	
U.3240 U.3241	A4012	
U.3774 U.3775	A4212	
U.3604 U.3605		

ITEM NO	PART NUMBER	DESCRIPTION	QTY.
1		3WAY BODY WITH 1/2"NPT	1
2	R3-056	20 POINT BROACH EXTENSION C-WASHER STABILIZER	1
3	I0349	M24X1.0 THREAD EXTENSION	1
4	I0350	NUT FOR CAP FOR 3WAY DIVERTER	1
5	9.15402	CARTRIDGE, DIV. MOTION 1/4 TURN WITH SHUTOFF	1
6	R30083	STEM ADAPTOR PERRIN & ROWE STEM ADAPTOR NICOLAZZI	1



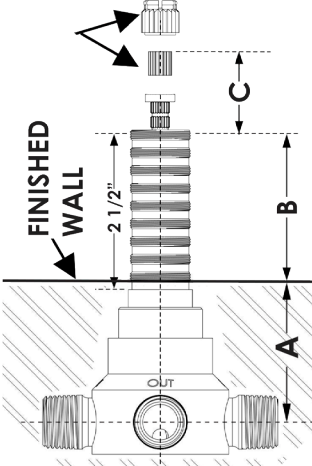
#### ROHL WARRANTY POLICY

- ROHL PRODUCTS ALL CARRY WARRANTIES AGAINST MANUFACTURING DEFECTS.
- THE R1062BO VALVES CARRY A LIMITED LIFETIME WARRANTY.
- ROHL LLC WILL PROVIDE FREE OF CHARGE, AT ITS OPTIONS, REPLACEMENT PART(S) OR PRODUCT (OR A COMPARABLE ALTERNATIVE PRODUCT) TO REPLACE THOSE WHICH HAVE PROVEN DEFECTIVE IN MATERIALS OR WORKMANSHIP.

SPARE PARTS AND SERVICE:

ROHL  
3 PARKER  
IRVINE, CA 92618  
P (714) 557-1933  
F (714) 557-8635  
WWW.ROHLHOME.COM

## INSTALLATION INSTRUCTIONS



**REQUIRED MEASUREMENTS**

**A** = 2-3/16" MIN.  
**B** = ~5/16" (MUST LEAVE MIN. 5/16" EXPOSED OR TRIM WILL NOT FIT)  
**C** = ~3/4" (MUST LEAVE MIN. 3/4" EXPOSED OR HANDLE WILL NOT ATTACH)

**IMPORTANT:**  
 WE RECOMMEND THE USE OF A LICENSED PLUMBER TO INSTALL THIS PRODUCT. PLEASE READ AND UNDERSTAND THE PROVIDED INSTALLATION INFORMATION BEFORE PROCEEDING.

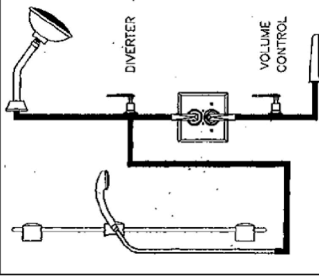
**BEFORE USE:**  
 - CAREFULLY CHECK THE INSTALLATION FOR LEAKS.  
 - IF FURTHER WORK IS GOING TO BE DONE IN THE VICINITY OF THE VALVE AND TRIM, COVER THE INSTALLATION WITH A PLASTIC BAG TO HELP AVOID DAMAGE TO THE FINISH.

**CARE AND MAINTENANCE:**  
 - RECOMMEND OCCASIONAL CLEANING WITH WARM SOAPY WATER FOLLOWED BY POLISHING WITH A SOFT CLOTH TO KEEP THE PLATED FINISH IN GOOD CONDITION.  
 - DO NOT USE ABRASIVE LIQUIDS, POWDERS, OR PADS TO CLEAN THE PRODUCT. YOU WILL DAMAGE THE FINISH AND VOID THE WARRANTY.

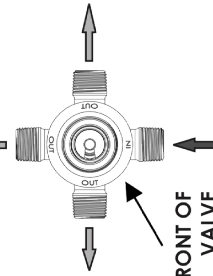
**SPECIFICATIONS**  
 TEMPERATURE RANGE:  
 - MINIMUM 34°F  
 - MAXIMUM 185°F

RECOMMENDED OPERATING PRESSURE:  
 - MINIMUM 15 PSI  
 - MAXIMUM 75 PSI

**INSTALLATION NOTES:**  
 - MUST HAVE BOTH ROUGH AND TRIM TO COMPLETE THE INSTALLATION.  
 - FLUSH THE PLUMBING SYSTEM BEFORE INSTALLING THIS PRODUCT.  
 - MUST FOLLOW DIMENSIONS SUPPLIED FOR INSTALLATION AND MAKE SURE ALLOWANCE IS MADE FOR FINISHED WALL MATERIAL SUCH AS TILE, ETC.  
 - MUST USE WITH VOLUME CONTROL WHEN USED WITH THERMOSTATIC VALVE  
 - 1 X 1/2" M NPT INLET  
 - 3 X 1/2" M NPT OUTLETS  
 - FLOW IS DEDICATED  
 - MAY NOT BE SPLIT INTO TWO OUTLETS AT ONCE  
 - CALGREEN COMPLIANT  
 - TO GPM  
 - OUTLETS MAY BE CAPPED IF NOT USED  
 - MIN. DEPTH IS 2 3/16" FROM MIDDLE OF THE VALVE OUTLET DIMENSIONS  
 - MAX. DEPTH IS 4 1/16" FROM MIDDLE OF VALVE OUTLET (CHECK DIMENSIONS)  
 - EXTENSION SOLUTION INCLUDED IN THE ROUGH PACKAGE. CUT BARREL AND EXTENSION TO SIZE AS NEEDED.  
 - ADDITIONAL EXTENSION KITS AVAILABLE.



**NOTE: Valves must be installed according to direction of flow**



**FRONT OF VALVE**