

## SPECIFICATIONS

### DESCRIPTION

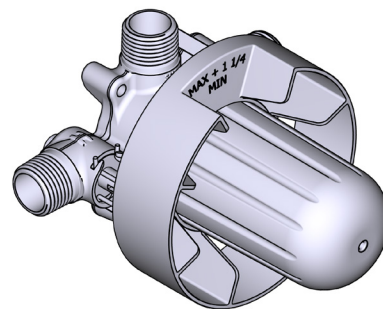
- R51
  - 1/2" outlet male NPT or sweat
  - 1/2" inlet male NPT or sweat
- R51-EX
  - 3/4" bath outlet EXPANSION PEX or 1/2" sweat
  - 1/2" inlet EXPANSION PEX
  - 1/2" shower outlet EXPANSION PEX
- R51-SPEX
  - 1/2" inlet PEX
  - 1/2" shower outlet PEX
  - 3/4" bath outlet PEX or 1/2" sweat
- Rough Only
- Service valves
- Test cap
- TXX51XX trim required to complete Rough only

### STANDARDS

- CSA B125.1
- ASME A112.18.1
- ASSE 1016
- CMR248 Approval

### WARRANTY

- Most products or parts carry "Limited Warranties" against manufacturing defects. For US customers please visit [houseofrohl.com/support](http://houseofrohl.com/support) and for Canadian customers please visit [riobel.ca](http://riobel.ca) for complete product and finish warranty.



## R51

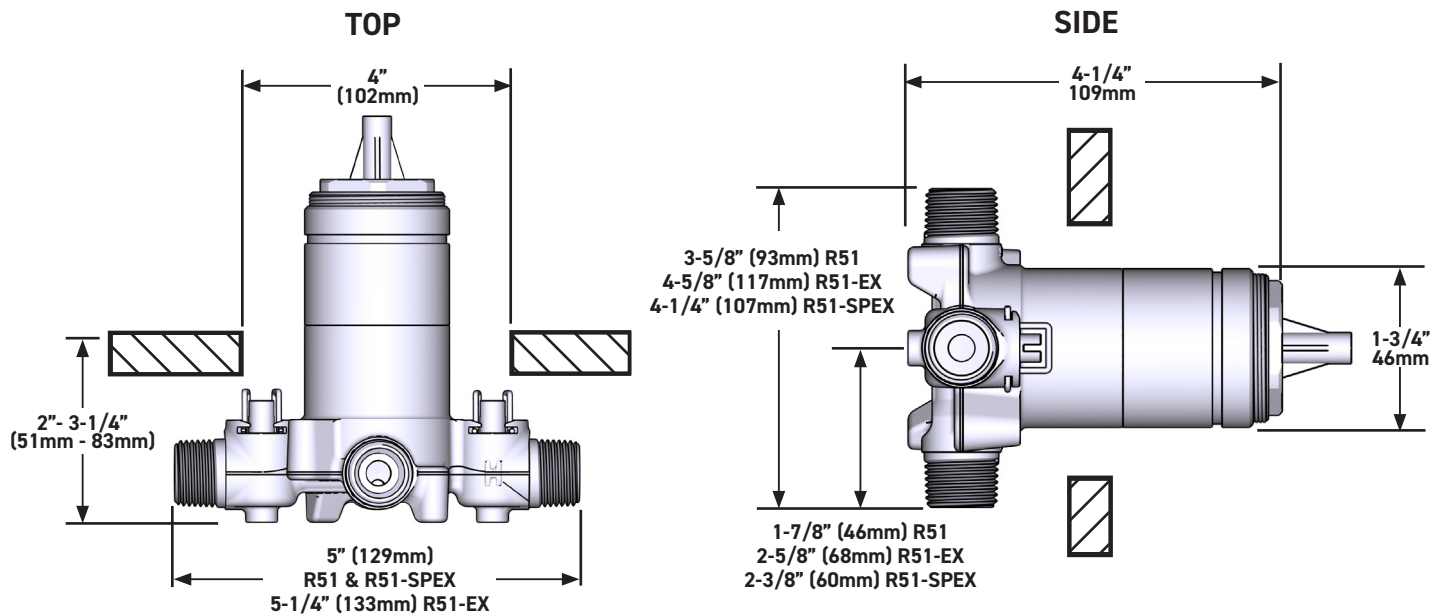
Type P (Pressure Balance) Rough

### MODELS:

R51  
R51-EX  
R51-SPEX

### CONNECTION:

NPT or sweat  
Expansion PEX  
PEX



U.S.A.  
HOUSEOFROHL.COM  
1-800-777-9762

QUEBEC / MARITIMES / WESTERN CANADA  
QUÉBEC / MARITIMES / OUEST CANADIEN  
QUEBEC / MARITIMOS / CANADA OCCIDENTAL  
HOUSEOFROHL.CA  
1-866-473-8442

ONTARIO  
HOUSEOFROHL.CA  
1-888-287-5354

A DISTINCTIVE MEMBER OF THE HOUSE OF ROHL  
UN MEMBRE DISTINCTIF DE HOUSE OF ROHL  
MIEMBRO DISTINTIVO DE LA FAMILIA HOUSE OF ROHL

## SPÉCIFICATIONS

### DESCRIPTIONS

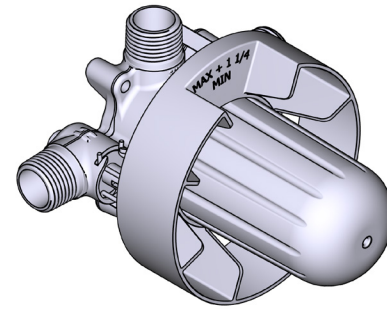
- R51
  - Sortie d'eau ½" mâle NPT ou soudée
  - Entrée d'eau ½" mâle NPT ou soudée
- R51-EX
  - Sortie de bain ¾" PEX EXPANSION ou ½" soudée
  - Entrée d'eau ½" PEX EXPANSION
  - Sortie de douche ½" PEX EXPANSION
- R51-SPEX
  - Entrée d'eau ½" PEX
  - Sortie de douche ½" PEX
  - Sortie de bain ¾" PEX ou ½" soudée
- Brut seul
- Valves de service
- Capuchon d'essai
- Commandez la garniture TXX51XX pour compléter

### CERTIFICATIONS

- CSA B125.1
- ASME A112.18.1
- ASSE 1016
- Approbation CMR248

### GARANTIE

- La plupart des produits ou pièces comprend des «garanties limitées» contre les défauts de fabrication. Pour les clients des États-Unis : veuillez consulter [houseofrohl.com/support](http://houseofrohl.com/support); Pour les clients du Canada : veuillez consulter [riobel.ca](http://riobel.ca) pour connaître les conditions complètes de la garantie des produits et finis.



## R51

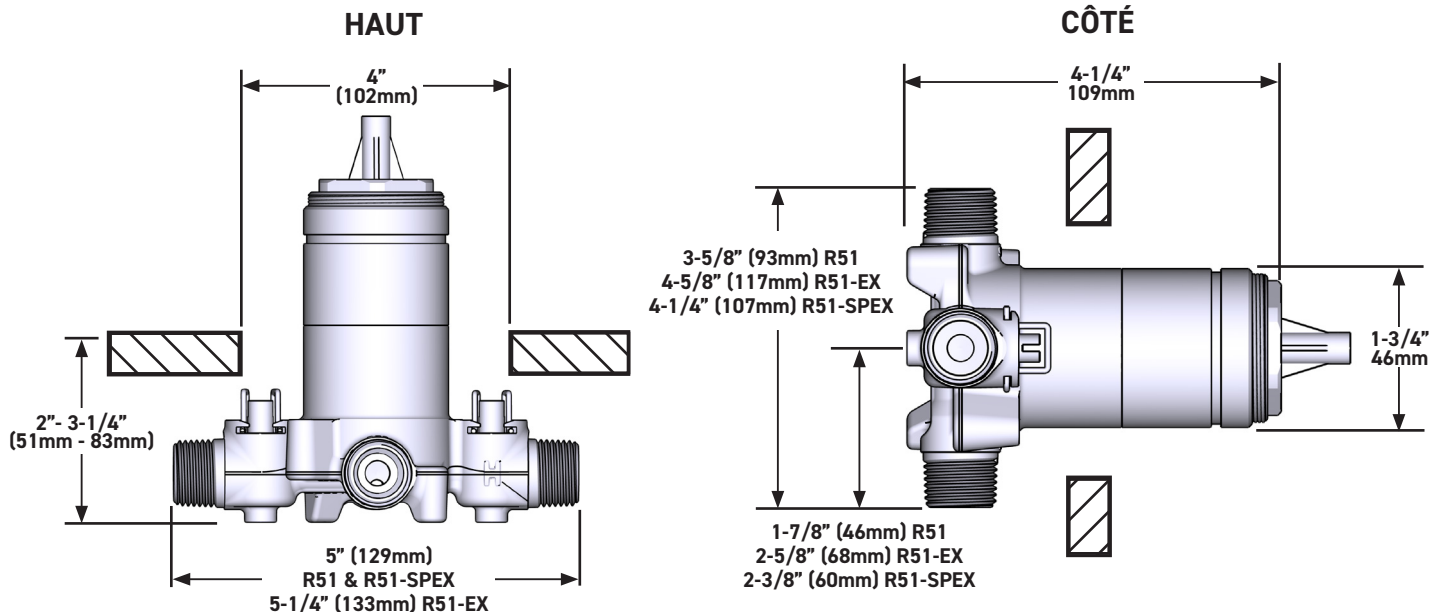
Brut de valve Type P (pression équilibrée)

### MODÈLES:

R51  
R51-EX  
R51-SPEX

### CONNEXION:

NPT ou soudée  
PEX Expansion  
PEX



U.S.A.  
HOUSEOFROHL.COM  
1-800-777-9762

QUEBEC / MARITIMES / WESTERN CANADA  
QUÉBEC / MARITIMES / OUEST CANADIEN  
QUEBEC / MARITIMOS / CANADA OCCIDENTAL  
HOUSEOFROHL.CA  
1-866-473-8442

ONTARIO  
HOUSEOFROHL.CA  
1-888-287-5354

A DISTINCTIVE MEMBER OF THE HOUSE OF ROHL  
UN MEMBRE DISTINCTIF DE HOUSE OF ROHL  
MIEMBRO DISTINTIVO DE LA FAMILIA HOUSE OF ROHL

## ESPECIFICACIONES

### DESCRIPCIÓN

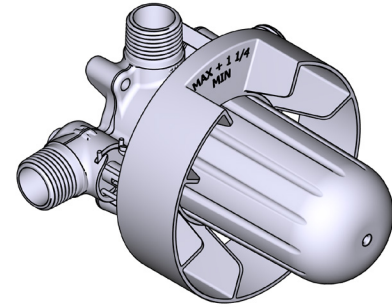
- R51
  - Salida macho de rosca o soldable de 1/2"
  - Toma macho de rosca de 1/2"
- R51-EX
  - 3/4" salida de baño EXPANSIÓN PEX o 1/2" de sudor
  - Expansión de entrada de 1/2" PEX
  - Salida de ducha de 1/2" EXPANSIÓN PEX
- R51-SPEX
  - Entrada PEX de 1/2"
  - Salida de ducha PEX de 1/2"
  - Salida de baño PEX de 3/4" o sudor de 1/2"
- Solo plomería básica
- Válvulas de servicio
- Tapa de prueba
- Se requiere moldura TXX51XX para terminar la instalación

### ESTÁNDARES

- CSA B125.1
- ASME A112.18.1
- ASSE 1016
- Aprobación CMR248

### GARANTÍA

- La mayoría de los productos o piezas presentan "Garantías limitadas" contra defectos de fabricación. La mayoría de los productos o piezas cuentan con "Garantías Limitadas" por defectos de fabricación. A los clientes en EE. UU. se les recomienda visitar [houseofrohl.com/support](http://houseofrohl.com/support) y a los clientes en Canadá, [riobel.ca](http://riobel.ca), para consultar las condiciones completas de la garantía de los productos y acabados.



## R51

Válvula tipo P (con equilibrio de presión)

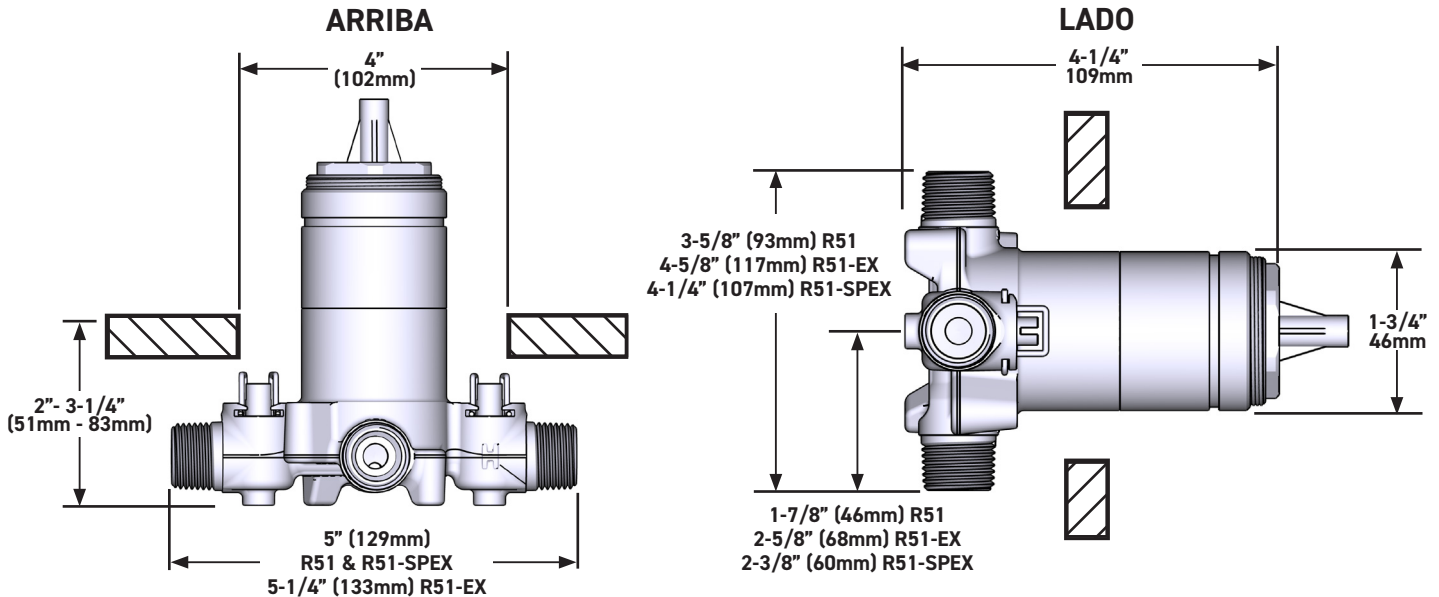
### MODELOS:

R51  
R51-EX  
R51-SPEX

### CONEXIÓN:

TNP o sudor  
PEX Expansión  
PEX

UPC®



QUEBEC / MARITIMES / WESTERN CANADA  
QUÉBEC / MARITIMES / OUEST CANADIEN  
QUEBEC / MARITIMOS / CANADA OCCIDENTAL  
HOUSEOFROHL.CA  
1-866-473-8442

U.S.A.  
HOUSEOFROHL.COM  
1-800-777-9762

ONTARIO  
HOUSEOFROHL.CA  
1-888-287-5354

A DISTINCTIVE MEMBER OF THE HOUSE OF ROHL  
UN MEMBRE DISTINCTIF DE HOUSE OF ROHL  
MIEMBRO DISTINTIVO DE LA FAMILIA HOUSE OF ROHL

2-jet shower head with arm  
**343**



## Specifications

### Descriptions

- 2 jets: luxurious, invigorating
- Six positions
- Shower arm with square flange
- Swivel
- Scale-free

### Available colors

- C : Chrome
- BN : Brushed Nickel (PVD)
- PN : Polished Nickel (PVD)

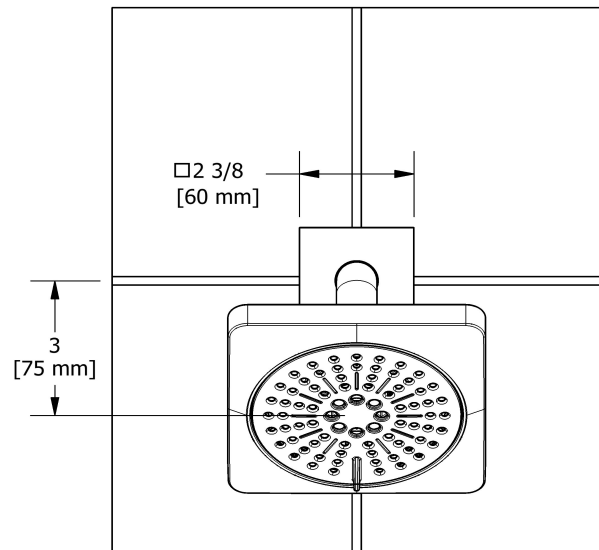
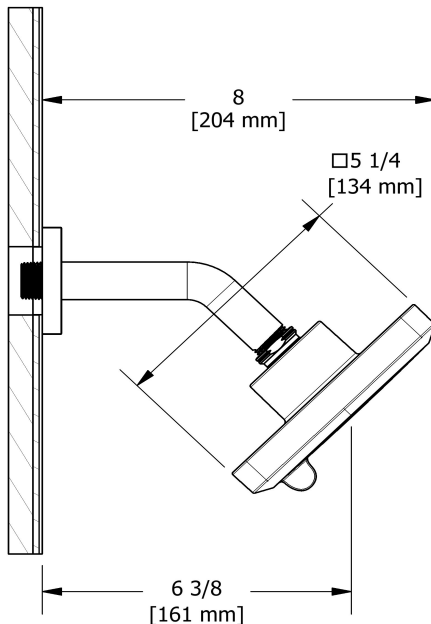
### Available flows

- 7.6 L/min, 2.0 gpm (US) 60psi
- 5.69 L/min, 1.5 gpm (US) 60psi ( **343-15** )
- 6.6L/min, 1.75 gpm (US) 60psi ( **343-WS** ) \*

\*EPA certification applicable to the indicated model only\*

### Certifications

- CSA B125.1
- ASME A112.18.1



Sizes, models and finishes may differ from those presented.

### Warranty

This Riobel Inc. product you have purchased carries a Limited Lifetime Warranty on the chrome, PVD finish, blacks and all working parts and is guaranteed from the initial purchase date against all manufacturing defects. All other finishes, including plastic components, are guaranteed for one year. All electric and/or electronic parts are covered by a 5-year limited warranty. The warranty offered on our products will be honored only if the installation is performed by a certified master plumber.

### Customer Care

Phone (800) 777 - 9762 | Email: [customer-care@houseofrohl.com](mailto:customer-care@houseofrohl.com) | Website: [houseofrohl.com/support/contact-us](http://houseofrohl.com/support/contact-us)

Consult your local House of Rohl showroom for additional information and specifications. For complete warranty details and a list of showrooms, go to [houseofrohl.com](http://houseofrohl.com)



# Specifications

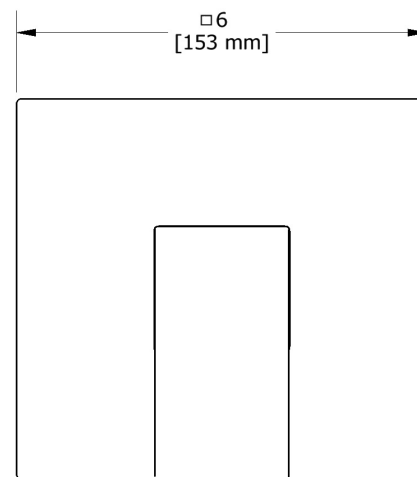
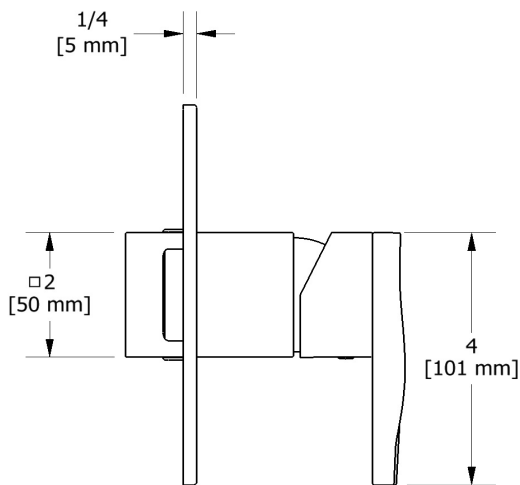
## Descriptions

- R51, R51-SPEX or R51-EX rough required to complete
- Trim only
- Ceramic cartridge and balancing spool with check valves
- Double action: flow and temperature control

## Certifications

- CSA B125.1
- ASME A112.18.1
- ASSE 1016
- ADA

Type P (pressure balance) valve trim  
**TRF51**



Sizes, models and finishes may differ from those presented.

## Warranty

This Riobel Inc. product you have purchased carries a Limited Lifetime Warranty on the chrome, PVD finish, blacks and all working parts and is guaranteed from the initial purchase date against all manufacturing defects. All other finishes, including plastic components, are guaranteed for one year. All electric and/or electronic parts are covered by a 5-year limited warranty. The warranty offered on our products will be honored only if the installation is performed by a certified master plumber.

## Customer Care

Phone (800) 777 - 9762 | Email: [customercare@houseofrohl.com](mailto:customercare@houseofrohl.com) | Website: [houseofrohl.com/support/contact-us](http://houseofrohl.com/support/contact-us)

Consult your local House of Rohl showroom for additional information and specifications. For complete warranty details and a list of showrooms, go to [houseofrohl.com](http://houseofrohl.com)



# Specifications

## Descriptions

- 1/2" outlet male NPT or sweat
- Service valves
- 1/2" inlet male NPT or sweat
- Test cap
- TXX51XX trim required to complete
- Rough only
- 22 L/min, 5.8 gpm (US) 60psi

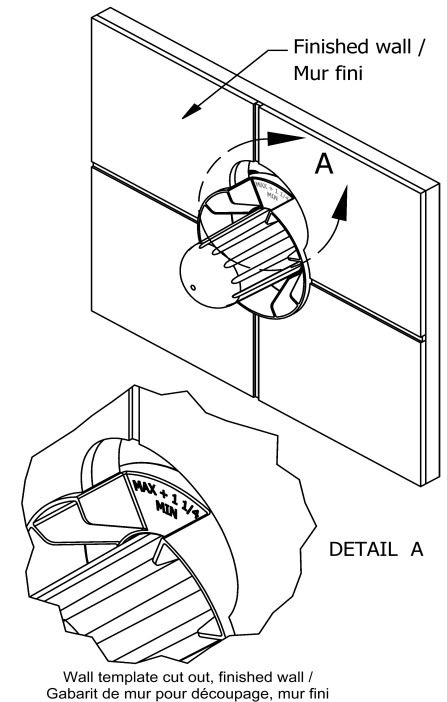
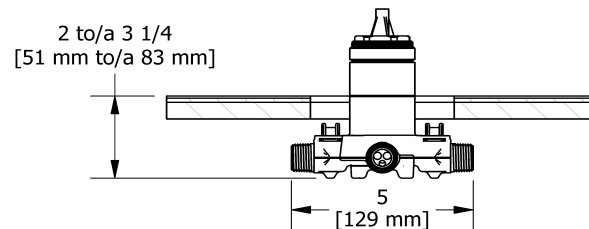
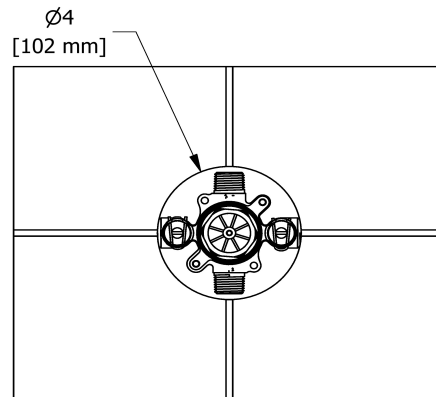
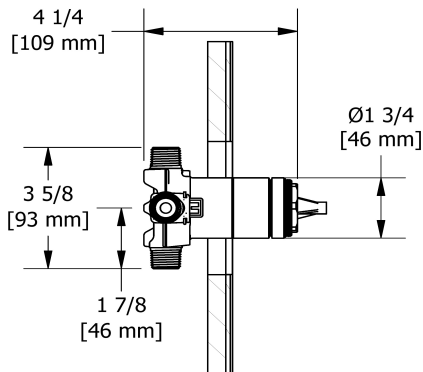
Type P (pressure balance) rough  
**R51**



## Certifications

- CSA B125.1
- ASME A112.18.1
- ASSE 1016
- CMR248 Approval

UPC®



Sizes, models and finishes may differ from thoses presented.

## Warranty

This Riobel Inc. product you have purchased carries a Limited Lifetime Warranty on the chrome, PVD finish, blacks and all working parts and is guaranteed from the initial purchase date against all manufacturing defects. All other finishes, including plastic components, are guaranteed for one year. All electric and/or electronic parts are covered by a 5-year limited warranty. The warranty offered on our products will be honored only if the installation is performed by a certified master plumber.

## Customer Care

Phone (800) 777 - 9762 | Email: [customer-care@houseofrohl.com](mailto:customer-care@houseofrohl.com) | Website: [houseofrohl.com/support/contact-us](http://houseofrohl.com/support/contact-us)

Consult your local House of Rohl showroom for additional information and specifications. For complete warranty details and a list of showrooms, go to [houseofrohl.com](http://houseofrohl.com)