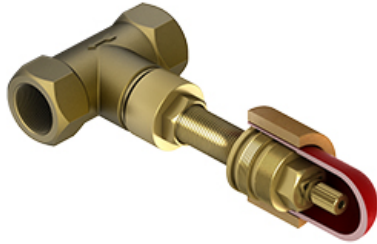




1/2" shut-off valve rough  
**R20**



cUPC®

## Specifications

### Descriptions

- 1/2" ceramic cartridge
- 1/2" inlet female NPT
- Rough only
- XX20XX trim required to complete

### Available colors

- :

### Certifications

- CSA B125.1
- ASME A112.18.1
- CMR248 Approval



## Warranty

This Riobel Inc. product you have purchased carries a Limited Lifetime Warranty on the chrome, PVD finish, blacks and all working parts and is guaranteed from the initial purchase date against all manufacturing defects. All other finishes, including plastic components, are guaranteed for one year. All electric and/or electronic parts are covered by a 5-year limited warranty. The warranty offered on our products will be honored only if the installation is performed by a certified master plumber.

## Customer Care

Phone (800) 777 - 9762 | Email: [customer care@houseofrohl.com](mailto:customer care@houseofrohl.com) | Website: [houseofrohl.com/support/contact-us](http://houseofrohl.com/support/contact-us)

Consult your local House of Rohl showroom for additional information and specifications. For complete warranty details and a list of showrooms, go to [houseofrohl.com](http://houseofrohl.com)

## SPECIFICATIONS

### DESCRIPTION

- Scale-free
- Shower arm with round flange
- Swivel
- 2 jets: luxurious, invigorating
- 6 positions

### FLOW

- 7.6 L/min, 2.0 gpm (US) 60psi
- 5.69 L/min, 1.5 gpm (US) 60psi ( 4835-15 )
- 6.6L/min, 1.75 gpm (US) 60psi ( 4835-WS )\*

\*EPA certification applicable to the indicated model only\*

### STANDARDS

- CSA B125.1
- ASME A112.18.1

### WARRANTY

- Most products or parts carry "Limited Warranties" against manufacturing defects. For US customers please visit [houseofrohl.com/support](http://houseofrohl.com/support) and for Canadian customers please visit [riobel.ca](http://riobel.ca) for complete product and finish warranty.

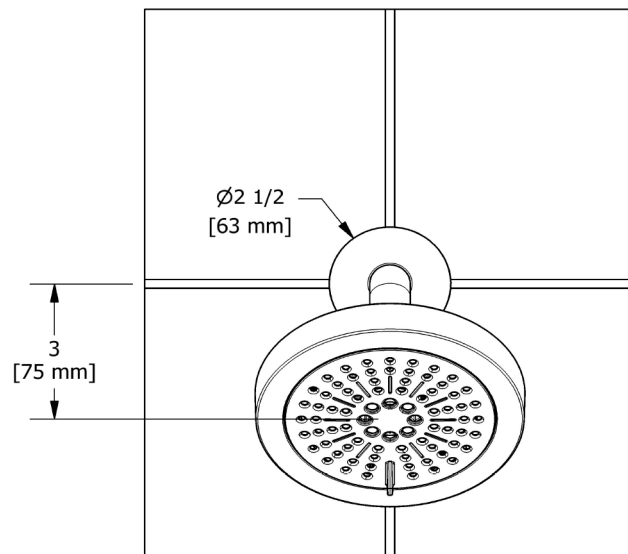
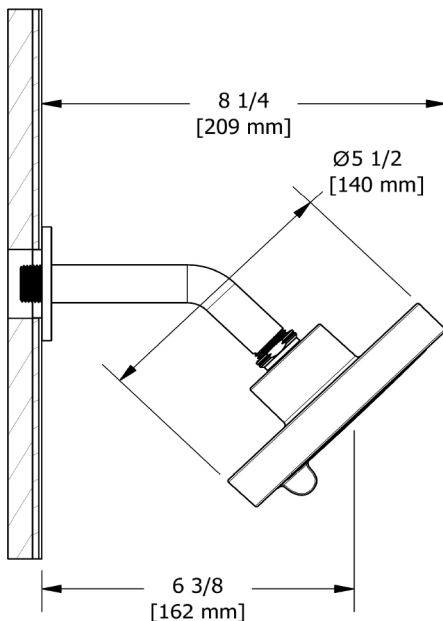


**366**

2-jet shower head with arm



UPC®



U.S.A.  
[houseofrohl.ca/support](http://houseofrohl.ca/support)  
1-800-777-9762

QUEBEC / MARITIMES / WESTERN CANADA  
[houseofrohl.ca/support](http://houseofrohl.ca/support)  
1-866-473-8442

ONTARIO  
[houseofrohl.ca/support](http://houseofrohl.ca/support)  
1-800-287-5354

## SPÉCIFICATIONS

### DESCRIPTION

- Anticalcaire
- Bras de douche avec rosace ronde
- Joint à rotule
- 2 jets: enveloppant et vivifiant
- 6 positions

### FLOW

- 7.6 L/min, 2.0 gpm (US) 60psi
- 5.69 L/min, 1.5 gpm (US) 60psi ( 4835-15 )
- 6.6L/min, 1.75 gpm (US) 60psi ( 4835-WS )\*

\*L'homologation de l'EPA ne s'applique qu'au modèle indiqué\*

### NORMES

- CSA B125.1
- ASME A112.18.1

### GARANTIE

- La plupart des produits ou des pièces sont protégés par une « Garantie limitée » contre tout défaut de fabrication. Pour consulter l'ensemble des garanties liées aux produits et à leur fini, les clients des États-Unis peuvent consulter le site [houseofrohl.com/support](http://houseofrohl.com/support), et les clients canadiens, le site [riobel.ca](http://riobel.ca)

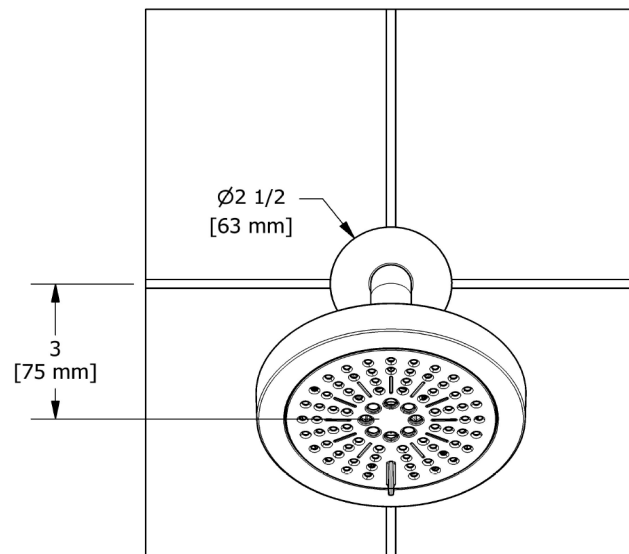
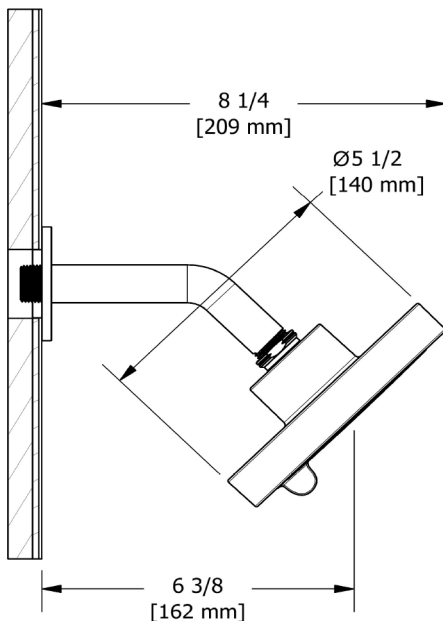


**366**

Tête de douche 2 jets avec bras



UPC®



U.S.A.  
[houseofrohl.ca/support](http://houseofrohl.ca/support)  
1-800-777-9762

QUÉBEC / MARITIMES / OUEST CANADIEN  
[houseofrohl.ca/support](http://houseofrohl.ca/support)  
1-866-473-8442

ONTARIO  
[houseofrohl.ca/support](http://houseofrohl.ca/support)  
1-800-287-5354

## ESPECIFICACIONES

### DESCRIPCIÓN

- Anticalcárea
- Brazo de ducha con brida redonda
- Girar
- 2 chorros: lujoso, tonificante
- 6 positions partagées

### FLOW

- 7.6 L/min, 2.0 gpm (US) 60psi
- 5.69 L/min, 1.5 gpm (US) 60psi ( 4835-15 )
- 6.6L/min, 1.75 gpm (US) 60psi ( 4835-WS )\*

\*Certificación EPA aplicable solo al modelo indicado\*

### ESTÁNDARES

- CSA B125.1
- ASME A112.18.1

### GARANTÍA

- La mayoría de los productos o piezas presentan "Garantías limitadas" contra defectos de fabricación. La mayoría de los productos o piezas cuentan con "Garantías Limitadas" por defectos de fabricación. A los clientes en EE. UU. se les recomienda visitar [houseofrohl.com/support](http://houseofrohl.com/support) y a los clientes en Canadá, [riobel.ca](http://riobel.ca), para consultar las condiciones completas de la garantía de los productos y acabados.

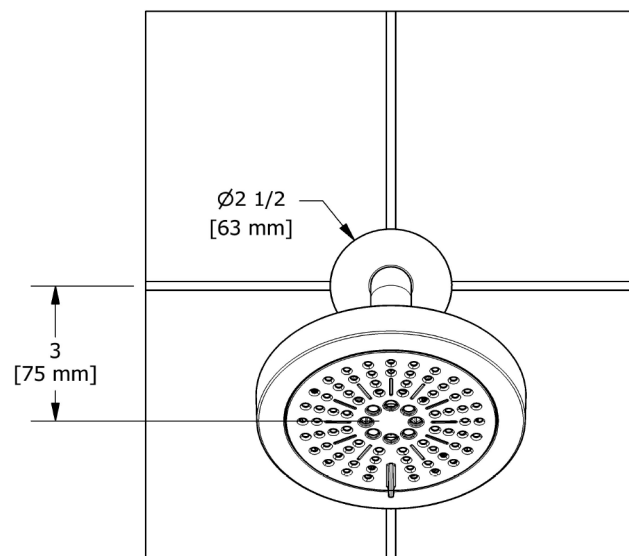
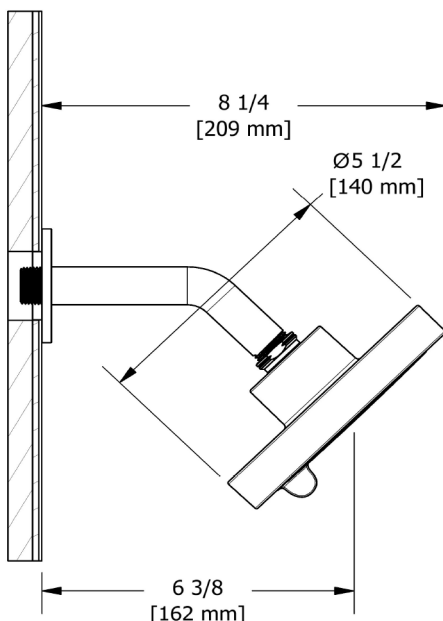


**366**

Rociador de 2 chorros con brazo



UPC®



U.S.A.  
[houseofrohl.ca/support](http://houseofrohl.ca/support)  
1-800-777-9762

QUEBEC / MARITIMOS / CANADA OCCIDENTAL  
[houseofrohl.ca/support](http://houseofrohl.ca/support)  
1-866-473-8442

ONTARIO  
[houseofrohl.ca/support](http://houseofrohl.ca/support)  
1-800-287-5354



# Specifications



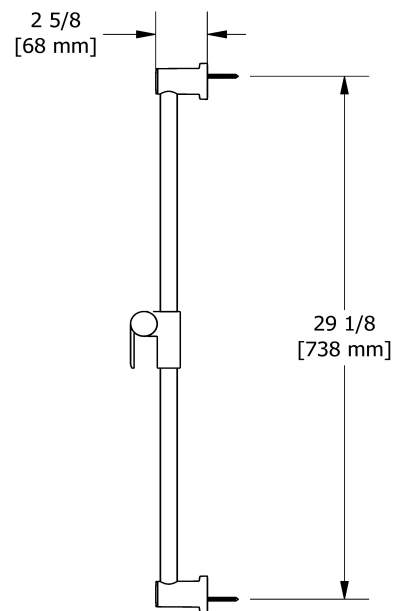
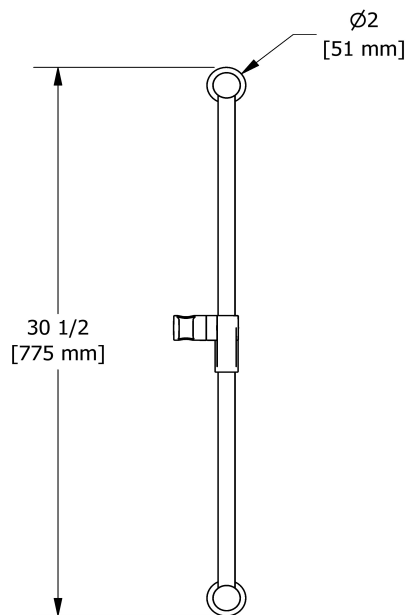
5055, 5063 shower rail  
**4855**

## Descriptions

- Ø22 mm (7/8") slide bar
- Easy-Glide left cursor

## Available colors

- C : Chrome



Sizes, models and finishes may differ from thoses presented.

## Warranty

This Riobel Inc. product you have purchased carries a Limited Lifetime Warranty on the chrome, PVD finish, blacks and all working parts and is guaranteed from the initial purchase date against all manufacturing defects. All other finishes, including plastic components, are guaranteed for one year. All electric and/or electronic parts are covered by a 5-year limited warranty. The warranty offered on our products will be honored only if the installation is performed by a certified master plumber.

## Customer Care

Phone (800) 777 - 9762 | Email: [customercare@houseofrohl.com](mailto:customercare@houseofrohl.com) | Website: [houseofrohl.com/support/contact-us](http://houseofrohl.com/support/contact-us)

Consult your local House of Rohl showroom for additional information and specifications. For complete warranty details and a list of showrooms, go to [houseofrohl.com](http://houseofrohl.com)



## Specifications

### Descriptions

- 150 cm (59") double interlock flexible hose, swivel and 2 check valves
- Conical nut ½" female

### Available colors

- C : Chrome
- BN : Brushed Nickel (PVD)
- PN : Polished Nickel (PVD)

### Certifications

- CSA B125.1
- ASME A112.18.1
- CMR248 Approval

150 cm (59") double interlock flexible hose, swivel  
and 2 check valves

**7259**



UPC®

### Warranty

This Riobel Inc. product you have purchased carries a Limited Lifetime Warranty on the chrome, PVD finish, blacks and all working parts and is guaranteed from the initial purchase date against all manufacturing defects. All other finishes, including plastic components, are guaranteed for one year. All electric and/or electronic parts are covered by a 5-year limited warranty. The warranty offered on our products will be honored only if the installation is performed by a certified master plumber.

### Customer Care

Phone (800) 777 - 9762 | Email: [customer care@houseofrohl.com](mailto:customer care@houseofrohl.com) | Website: [houseofrohl.com/support/contact-us](http://houseofrohl.com/support/contact-us)

Consult your local House of Rohl showroom for additional information and specifications. For complete warranty details and a list of showrooms, go to [houseofrohl.com](http://houseofrohl.com)



# Specifications

## Descriptions

- Scale-free
- Swivel
- G½" inlet female

## Available colors

- C : Chrome
- BN : Brushed Nickel (PVD)

## Available flows

- 7.6 L/min, 2.0 gpm (US) 60psi
- 6.6L/min, 1.75 gpm (US) 60psi ( **472-WS** ) \*

*\*EPA certification applicable to the indicated model only\**

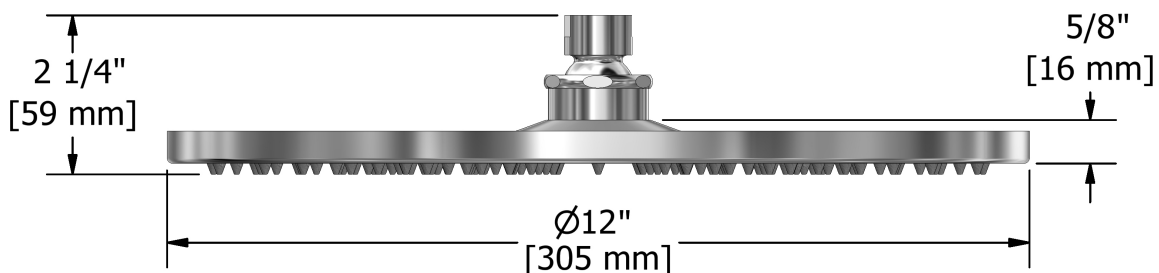
## Certifications

- CSA B125.1
- ASME A112.18.1
- CMR248 Approval

30 cm (12") shower head  
**472**



UPC®



Sizes, models and finishes may differ from those presented.

## Warranty

This Riobel Inc. product you have purchased carries a Limited Lifetime Warranty on the chrome, PVD finish, blacks and all working parts and is guaranteed from the initial purchase date against all manufacturing defects. All other finishes, including plastic components, are guaranteed for one year. All electric and/or electronic parts are covered by a 5-year limited warranty. The warranty offered on our products will be honored only if the installation is performed by a certified master plumber.

## Customer Care

Phone (800) 777 - 9762 | Email: [customer care@houseofrohl.com](mailto:customer care@houseofrohl.com) | Website: [houseofrohl.com/support/contact-us](http://houseofrohl.com/support/contact-us)

Consult your local House of Rohl showroom for additional information and specifications. For complete warranty details and a list of showrooms, go to [houseofrohl.com](http://houseofrohl.com)

## SPECIFICATIONS

### DESCRIPTION

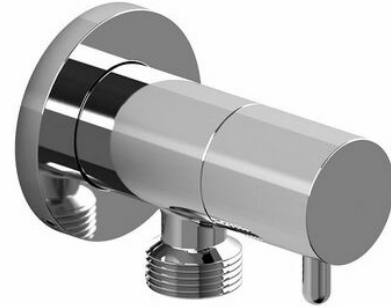
- ½" inlet female NPT
- Ceramic cartridge
- Adjustable depth
- ½" outlet male

### STANDARDS

- CSA B125.1
- ASME A112.18.1
- CMR248 Approval

### WARRANTY

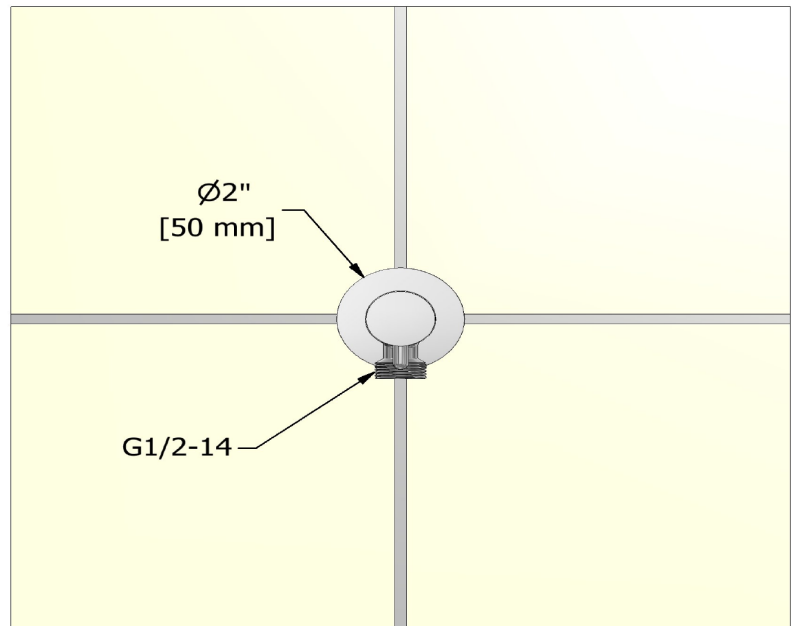
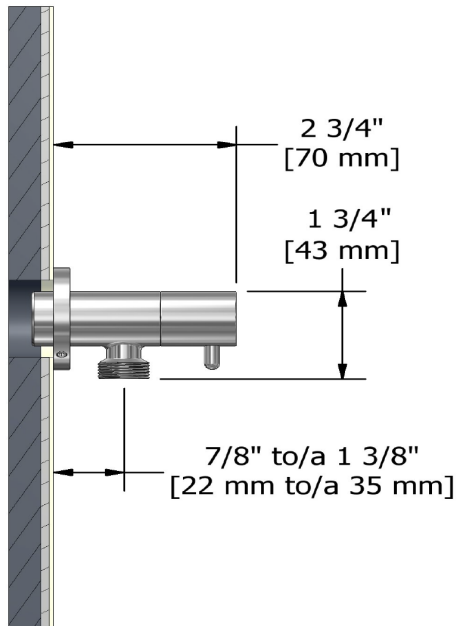
- Most products or parts carry "Limited Warranties" against manufacturing defects. For US customers please visit [houseofrohl.com/support](http://houseofrohl.com/support) and for Canadian customers please visit [riobel.ca](http://riobel.ca) for complete product and finish warranty.



**790**

Elbow supply with shut-off valve

cUPC®



U.S.A.  
[houseofrohl.ca/support](http://houseofrohl.ca/support)  
 1-800-777-9762

QUEBEC / MARITIMES / WESTERN CANADA  
[houseofrohl.ca/support](http://houseofrohl.ca/support)  
 1-866-473-8442

ONTARIO  
[houseofrohl.ca/support](http://houseofrohl.ca/support)  
 1-800-287-5354



## SPÉCIFICATIONS

### DESCRIPTION

- Entrée d'eau ½" femelle NPT
- Cartouche de céramique
- Ajustable en profondeur
- Sortie d'eau ½" mâle

### NORMES

- CSA B125.1
- ASME A112.18.1
- Approbation CMR248

### GARANTIE

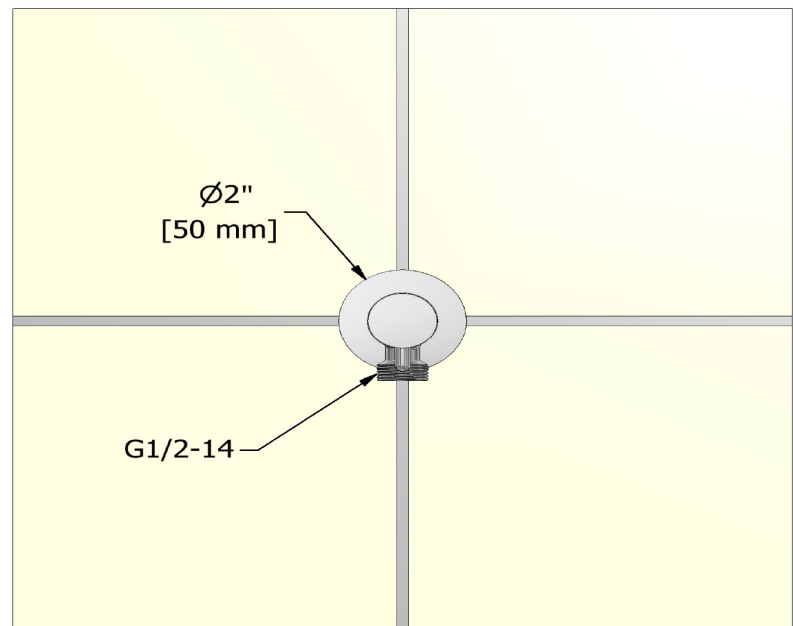
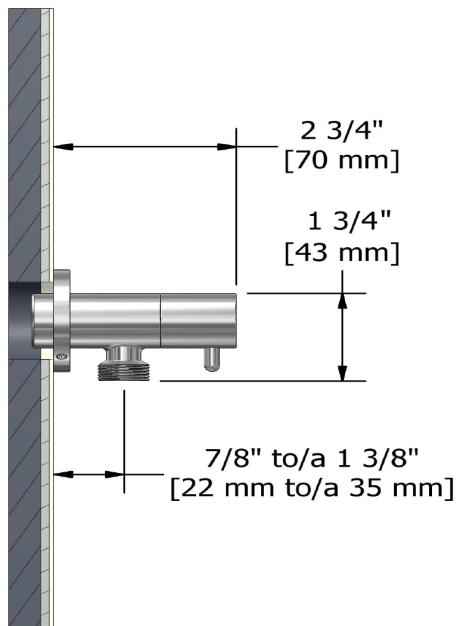
- La plupart des produits ou des pièces sont protégés par une « Garantie limitée » contre tout défaut de fabrication. Pour consulter l'ensemble des garanties liées aux produits et à leur fini, les clients des États-Unis peuvent consulter le site [houseofrohl.com/support](http://houseofrohl.com/support), et les clients canadiens, le site [riobel.ca](http://riobel.ca)



**790**

Coude de raccordement avec contrôle de volume

cUPC®



U.S.A.  
[houseofrohl.ca/support](http://houseofrohl.ca/support)  
1-800-777-9762

QUÉBEC / MARITIMES / OUEST CANADIEN  
[houseofrohl.ca/support](http://houseofrohl.ca/support)  
1-866-473-8442

ONTARIO  
[houseofrohl.ca/support](http://houseofrohl.ca/support)  
1-800-287-5354

## ESPECIFICACIONES

### DESCRIPCIÓN

- NPT hembra de entrada de 1/2"
- Cartucho de cerámica
- Profundida regulable
- Salida macho 1/2"

### ESTÁNDARES

- CSA B125.1
- ASME A112.18.1
- CMR248 Aprobación

### GARANTÍA

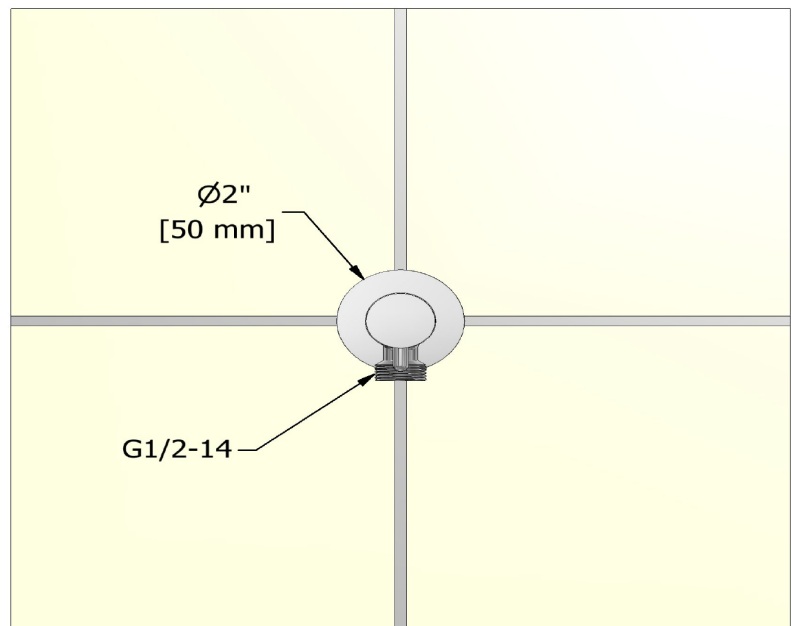
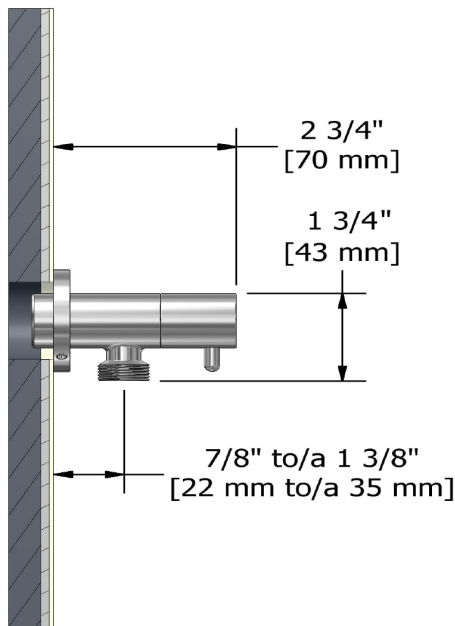
- La mayoría de los productos o piezas presentan "Garantías limitadas" contra defectos de fabricación. La mayoría de los productos o piezas cuentan con "Garantías Limitadas" por defectos de fabricación. A los clientes en EE. UU. se les recomienda visitar [houseofrohl.com/support](http://houseofrohl.com/support) y a los clientes en Canadá, [riobel.ca](http://riobel.ca), para consultar las condiciones completas de la garantía de los productos y acabados.



**790**

Codo de alimentación con válvula de cierre

cUPC®



U.S.A.  
[houseofrohl.ca/support](http://houseofrohl.ca/support)  
1-800-777-9762

QUEBEC / MARITIMOS / CANADA OCCIDENTAL  
[houseofrohl.ca/support](http://houseofrohl.ca/support)  
1-866-473-8442

ONTARIO  
[houseofrohl.ca/support](http://houseofrohl.ca/support)  
1-800-287-5354



# Specifications

## Descriptions

- 1/2" ceramic cartridge
- 1/2" inlet female NPT

## Available colors

- C : Chrome
- BN : Brushed Nickel (PVD)

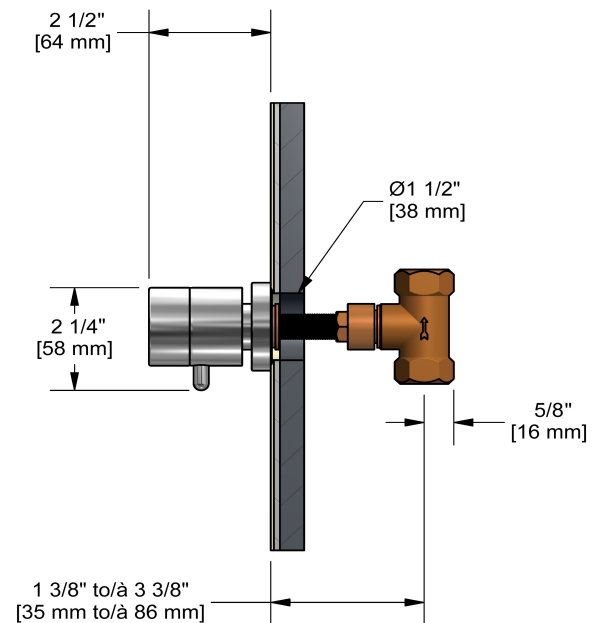
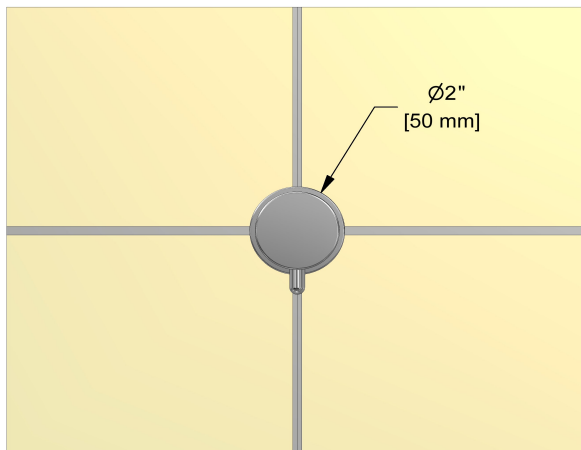
## Certifications

- CSA B125.1
- ASME A112.18.1
- CMR248 Approval

1/2" shut-off valve  
**CSTM20**



cUPC®



Sizes, models and finishes may differ from those presented.

## Warranty

This Riobel Inc. product you have purchased carries a Limited Lifetime Warranty on the chrome, PVD finish, blacks and all working parts and is guaranteed from the initial purchase date against all manufacturing defects. All other finishes, including plastic components, are guaranteed for one year. All electric and/or electronic parts are covered by a 5-year limited warranty. The warranty offered on our products will be honored only if the installation is performed by a certified master plumber.

## Customer Care

Phone (800) 777 - 9762 | Email: [customer care@houseofrohl.com](mailto:customer care@houseofrohl.com) | Website: [houseofrohl.com/support/contact-us](http://houseofrohl.com/support/contact-us)

Consult your local House of Rohl showroom for additional information and specifications. For complete warranty details and a list of showrooms, go to [houseofrohl.com](http://houseofrohl.com)



# Specifications

## Descriptions

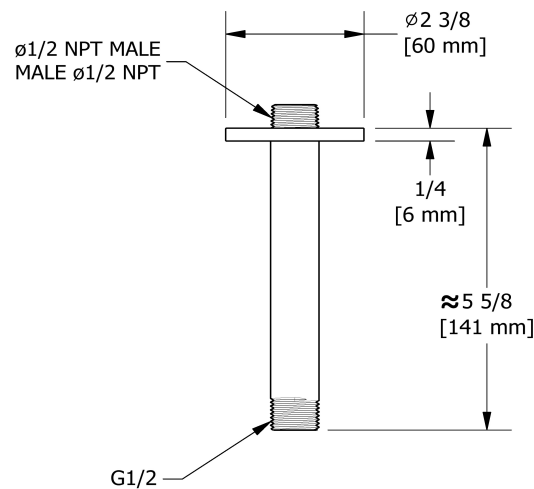
- Round flange
- 1/2" inlet male NPT

## Available colors

- C : Chrome
- BN : Brushed Nickel (PVD)
- PN : Polished Nickel (PVD)

15 cm (6") vertical shower arm

508



Sizes, models and finishes may differ from thoses presented.

## Warranty

This Riobel Inc. product you have purchased carries a Limited Lifetime Warranty on the chrome, PVD finish, blacks and all working parts and is guaranteed from the initial purchase date against all manufacturing defects. All other finishes, including plastic components, are guaranteed for one year. All electric and/or electronic parts are covered by a 5-year limited warranty. The warranty offered on our products will be honored only if the installation is performed by a certified master plumber.

## Customer Care

Phone (800) 777 - 9762 | Email: [customer care@houseofrohl.com](mailto:customer care@houseofrohl.com) | Website: [houseofrohl.com/support/contact-us](http://houseofrohl.com/support/contact-us)

Consult your local House of Rohl showroom for additional information and specifications. For complete warranty details and a list of showrooms, go to [houseofrohl.com](http://houseofrohl.com)

## Specifications

### Descriptions

- ½" inlet female NPT
- Directional
- Scale-free

### Available colors

- C : Chrome
- BN : Brushed Nickel (PVD)
- PN : Polished Nickel (PVD)

### Available flow

- 2 à/to 6 L/min, 0.5 à/to 1.6 gpm (US) 60psi

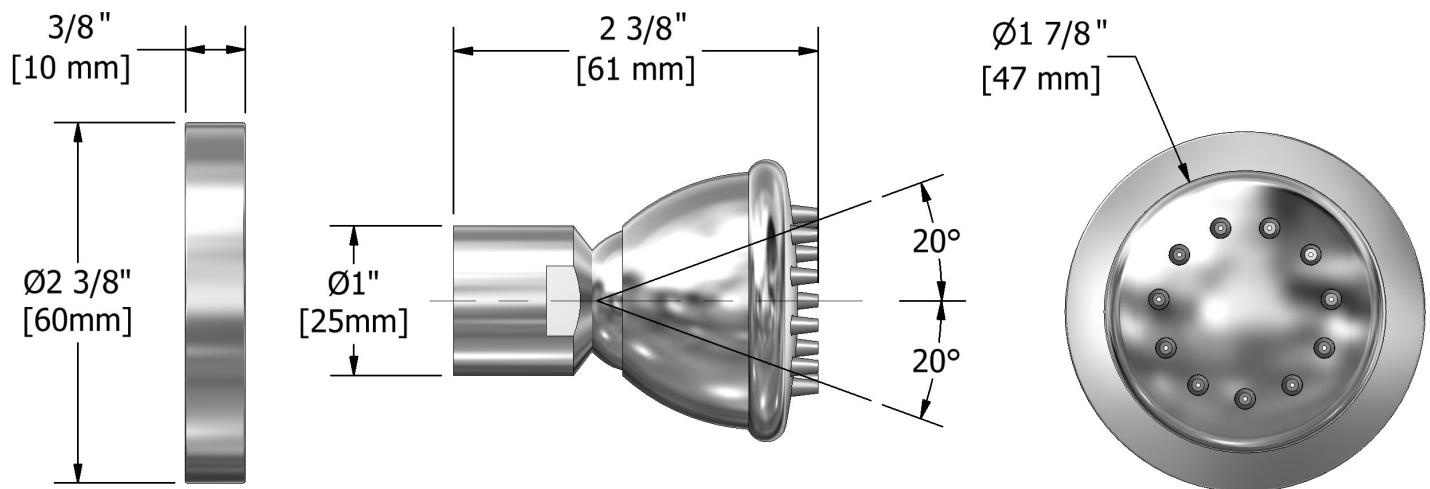
### Certifications

- CSA B125.1
- ASME A112.18.1
- CMR248 Approval

Body jet  
390



cUPC®



Sizes, models and finishes may differ from those presented.

### Warranty

This Riobel Inc. product you have purchased carries a Limited Lifetime Warranty on the chrome, PVD finish, blacks and all working parts and is guaranteed from the initial purchase date against all manufacturing defects. All other finishes, including plastic components, are guaranteed for one year. All electric and/or electronic parts are covered by a 5-year limited warranty. The warranty offered on our products will be honored only if the installation is performed by a certified master plumber.

### Customer Care

Phone (800) 777 - 9762 | Email: [customer-care@houseofrohl.com](mailto:customer-care@houseofrohl.com) | Website: [houseofrohl.com/support/contact-us](http://houseofrohl.com/support/contact-us)

Consult your local House of Rohl showroom for additional information and specifications. For complete warranty details and a list of showrooms, go to [houseofrohl.com](http://houseofrohl.com)



# Specifications

## Descriptions

- Scale-free
- 2-jet hand shower: tropical breeze, luxurious
- Three positions

## Available colors

- C : Chrome

## Available flows

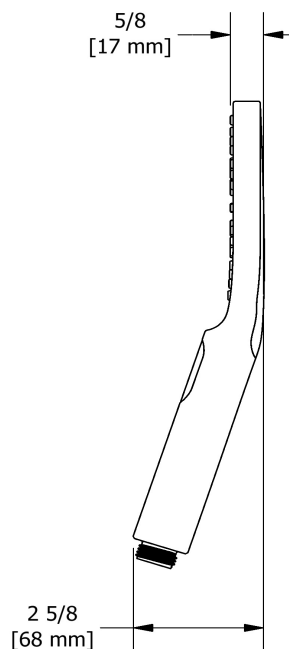
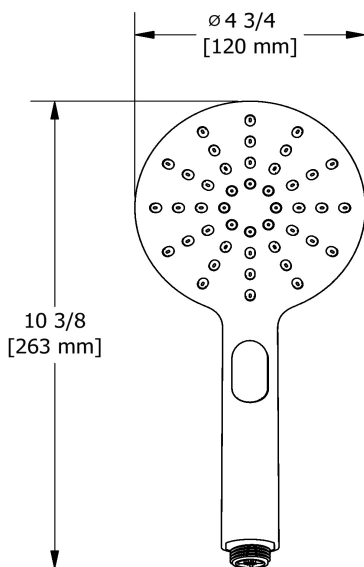
- 7.6 L/min, 2.0 gpm (US) 60psi
- 5.69 L/min, 1.5 gpm (US) 60psi ( **4364-15** )
- 6.6L/min, 1.75 gpm (US) 60psi ( **4364-WS** ) \*

*\*EPA certification applicable to the indicated model only\**

## Certifications

- CSA B125.1
- ASME A112.18.1
- CMR248 Approval

2-jet hand Shower  
**4364**



Sizes, models and finishes may differ from those presented.

## Warranty

This Riobel Inc. product you have purchased carries a Limited Lifetime Warranty on the chrome, PVD finish, blacks and all working parts and is guaranteed from the initial purchase date against all manufacturing defects. All other finishes, including plastic components, are guaranteed for one year. All electric and/or electronic parts are covered by a 5-year limited warranty. The warranty offered on our products will be honored only if the installation is performed by a certified master plumber.

## Customer Care

Phone (800) 777 - 9762 | Email: [customer care@houseofrohl.com](mailto:customer care@houseofrohl.com) | Website: [houseofrohl.com/support/contact-us](http://houseofrohl.com/support/contact-us)

Consult your local House of Rohl showroom for additional information and specifications. For complete warranty details and a list of showrooms, go to [houseofrohl.com](http://houseofrohl.com)