

COUNTRY BATH TRIM FOR 1/2" THERMOSTATIC/DIVERTER CONTROL ROUGH VALVE

ROHL Country Bath

- A4964XM** (Cross Handles)
- A4964LM** (Metal Levers)
- A4964LP** (Porcelain Levers)
- A4964XC** (Crystal Cross Handles)
- A4964LC** (Crystal Levers)

FEATURES

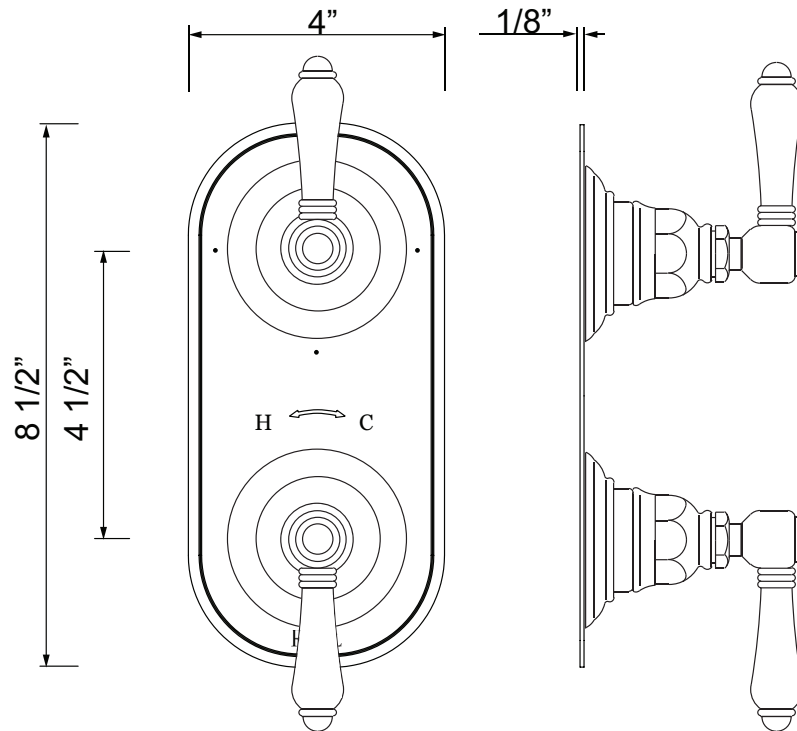
- Trimplate, diverter control, temperature control
- Brass construction
- Must order R1050BD rough valve to complete
- Includes ROHL logo on trim plate

COLORS/FINISHES

- Polished Chrome
- Polished Nickel
- Satin Nickel
- Tuscan Brass

WARRANTY

- Limited Lifetime



ROHL

Authentic Luxury for Kitchen and Bath®

www.rohlhome.com



BORDANO ANTI-CAL SHOWERHEAD

ROHL Shower

- 1017/8 (5" Showerhead)
- 1027/8 (6" Showerhead)
- 1037/8 (8" Showerhead) (shown)
- 1047/8 (12" Showerhead)

FEATURES

- Single-function Rain showerhead
- Flexible calcium resistant nozzles on spray face allow for easy removal of hard water build-up
- 1/2" female inlet with swivel connection
- Serviceable faceplate except 1037/8
- Flow rate 2.0 GPM
- Swivel ball replacement part #: 1590/8 (FINISH)
- Meets EPA WaterSense® criteria to conserve water without sacrificing performance

COLORS/FINISHES

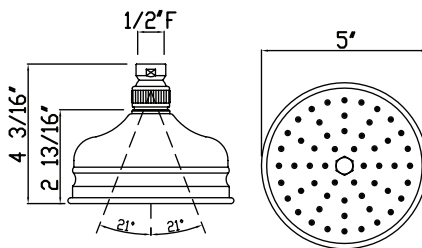
- Polished Chrome
- Polished Nickel
- Satin Nickel
- Tuscan Brass
- Inca Brass
- Old Iron*

*Old Iron only available on the 1037/8

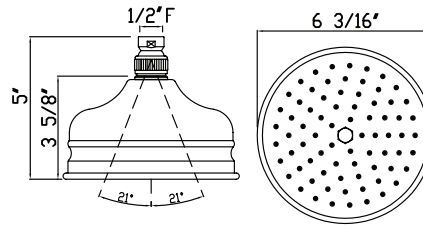
WARRANTY

- 2 years on manufacturer defects*
- *No warranty for Tuscan Brass (TCB)

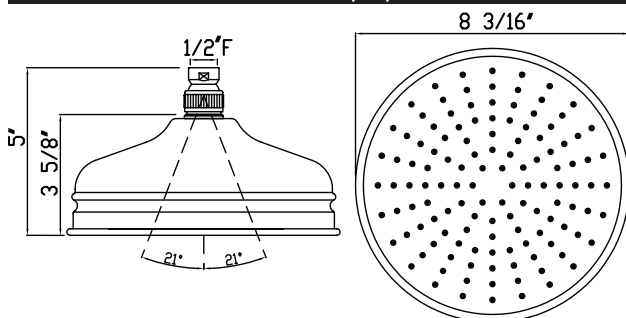
1017/8 (5")



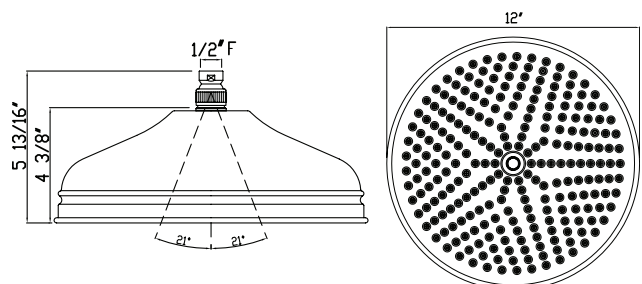
1027/8 (6")



1037/8 (8")



1047/8 (12")



Consult your local ROHL showroom for additional information and specifications. For complete warranty details and a list of showrooms, go to www.rohlhome.com.



ROHL

Authentic Luxury for Kitchen and Bath®

www.rohlhome.com



WALL MOUNT SHOWER ARM

ROHL SPA Shower Collection

1120/12 (12" Shower Arm)

1120 (20" Shower Arm)

FEATURES

- 1120/12: 12" Shower arm
- 1120: 20" Shower arm
- Solid brass construction shower arm
- Adjustable ABS wall flange
- 1/2" male inlet, 1/2" male outlet
- Inca Brass not available
- Escutcheon replacement part #1120E(FINISH)

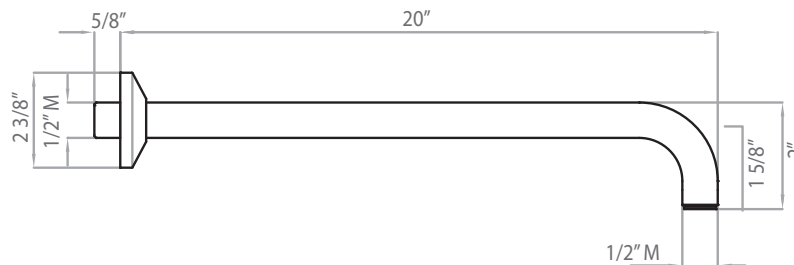
COLORS/FINISHES

- Polished Chrome
- Polished Nickel
- Satin Nickel
- Tuscan Brass

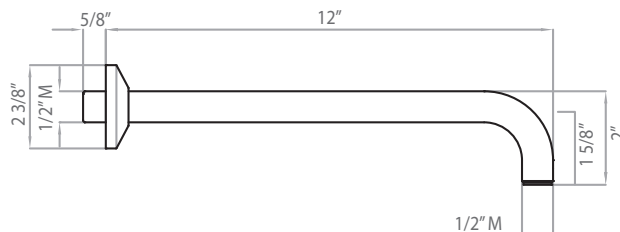
WARRANTY

- Two years on manufacturer defects*
- *No Warranty on Tuscan Brass finish

1120



1120/12



ROHL

Authentic Luxury for Kitchen and Bath®

www.rohlhome.com



BORDANO ANTI-CAL SHOWERHEAD

ROHL Shower

- 1017/8 (5" Showerhead)
- 1027/8 (6" Showerhead)
- 1037/8 (8" Showerhead) (shown)
- 1047/8 (12" Showerhead)

FEATURES

- Single-function Rain showerhead
- Flexible calcium resistant nozzles on spray face allow for easy removal of hard water build-up
- 1/2" female inlet with swivel connection
- Serviceable faceplate except 1037/8
- Flow rate 2.0 GPM
- Swivel ball replacement part #: 1590/8 (FINISH)
- Meets EPA WaterSense® criteria to conserve water without sacrificing performance

COLORS/FINISHES

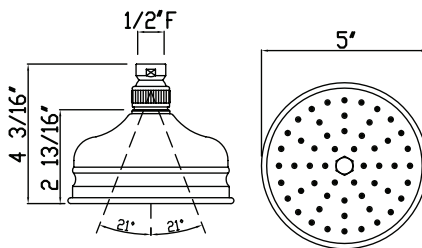
- Polished Chrome
- Polished Nickel
- Satin Nickel
- Tuscan Brass
- Inca Brass
- Old Iron*

WARRANTY

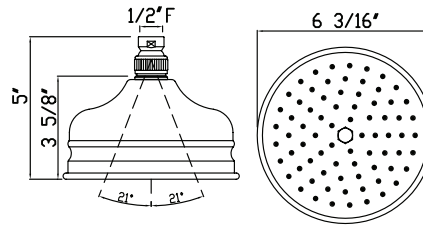
- 2 years on manufacturer defects*
- *No warranty for Tuscan Brass (TCB)

*Old Iron only available on the 1037/8

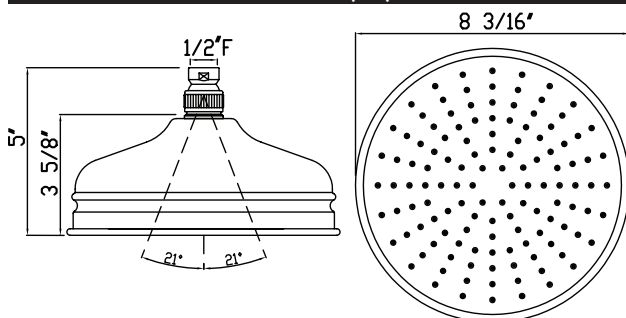
1017/8 (5")



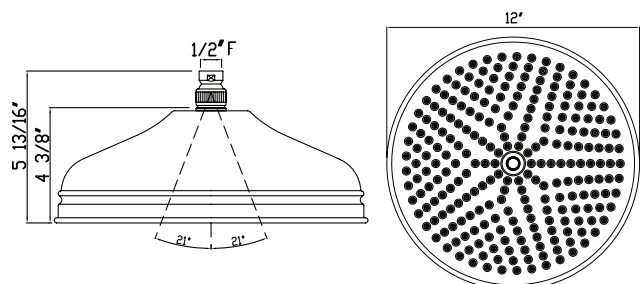
1027/8 (6")



1037/8 (8")



1047/8 (12")



Consult your local ROHL showroom for additional information and specifications. For complete warranty details and a list of showrooms, go to www.rohlhome.com.





3" TRADITIONAL STYLE CEILING MOUNT SHOWER ARM

ROHL SHOWERHEADS/HANDSHOWERS

1505/3 (Shower Arm)

FEATURES

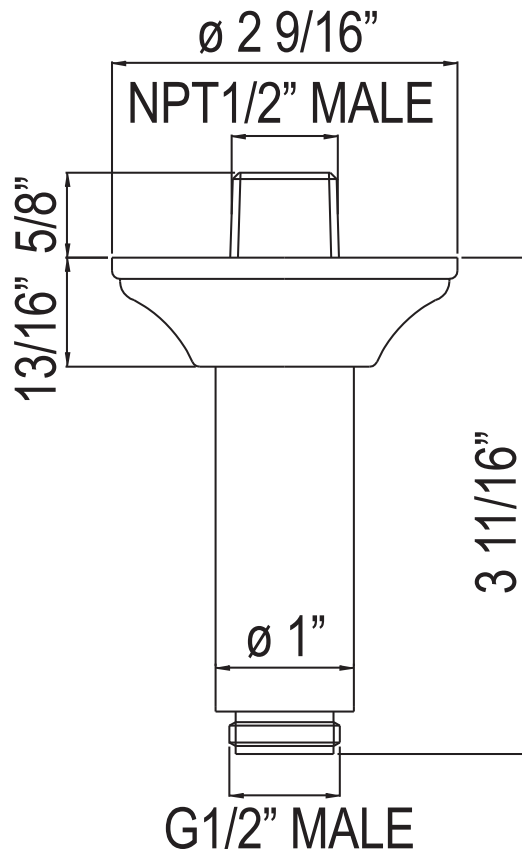
- 3 1/16" length
- 1/2" male inlet, 1/2" male outlet
- Ceiling connected
- Solid brass construction
- Sliding escutcheon
- Length cannot be cut down
- Modern style escutcheon available, order ROGSCO14, not available in Old Iron

FINISHES

- Inca Brass
- Old Iron
- Polished Chrome
- Polished Nickel
- Satin Nickel
- Tuscan Brass*

WARRANTY

- 2 years on manufacturer defects
- * No warranty on Tuscan Brass Finish





3-FUNCTION BALTERA HANDSHOWER

ROHL Spa Shower

B0314

FEATURES

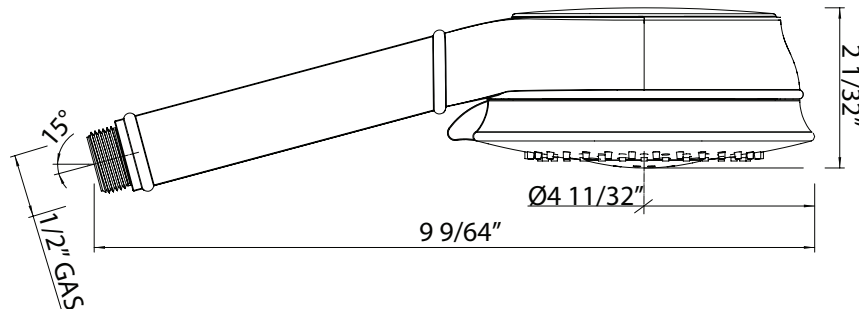
- 3-function spray patterns
 - Classic Spray
 - Champagne
 - Massage
- ABS construction
- Flexible calcium resistant nozzles on spray face allow for easy removal of hard water build-up
- 1/2" male connection
- Flow rate 1.8 GPM
- Inca Brass not available

COLORS/FINISHES

- Polished Chrome
- Polished Nickel
- Satin Nickel
- Tuscan Brass

WARRANTY

- Limited Lifetime*
- *No warranty on Tuscan Brass finish (TCB)





Shower Bar

ROHL Shower Collection

1200 (White resin cap on cross handle)

1201 (Brass cap on cross handle)

FEATURES

- Solid brass construction
- Wall mounting
- 24" total length
- 3/4" diameter bar
- Country style
- Sliding handshower parking bracket

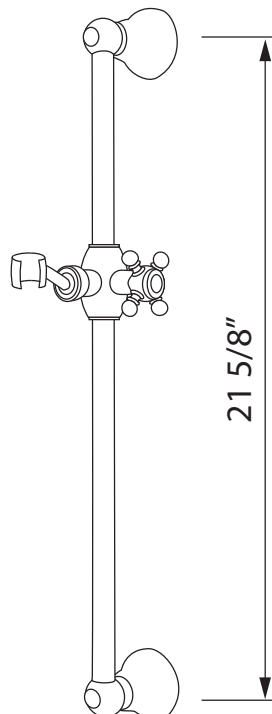
COLORS/FINISHES

- Polished Chrome
- Polished Nickel
- Satin Nickel
- Tuscan Brass
- Inca Brass
- Old Iron*

WARRANTY

- Two Years on Manufacturer Defects*
- *No Warranty on Tuscan Brass Finish

*Old Iron finish only available for 1201





Handshower Wall Outlet

ROHL Shower Collection

1295

FEATURES

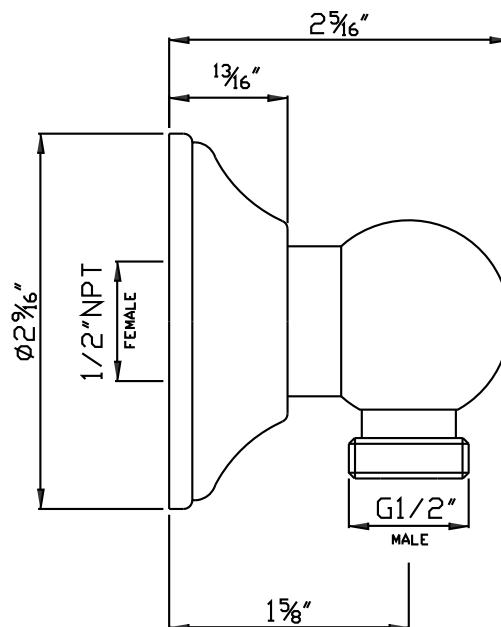
- Brass construction
- 1/2" female inlet connection
- 1/2" male outlet connection
- Sliding escutcheon

COLORS/FINISHES

- Polished Chrome
- Polished Nickel
- Satin Nickel
- Tuscan Brass
- Inca Brass
- Old Iron

WARRANTY

- Two Years on Manufacturer Defects*
- * No Warranty on Tuscan Brass Finish (TCB)





METAL SHOWER HOSE ASSEMBLY

ROHL Spa Shower Collection

16295 (59" hose)

16295/79 (79" hose)

FEATURES

- Brass outer coil
- Double spiral
- PVC lining
- Does not warp or stretch
- 1/2" female connections
- Hose length:
 - 16295 - 59"
 - 16295/79 - 79"

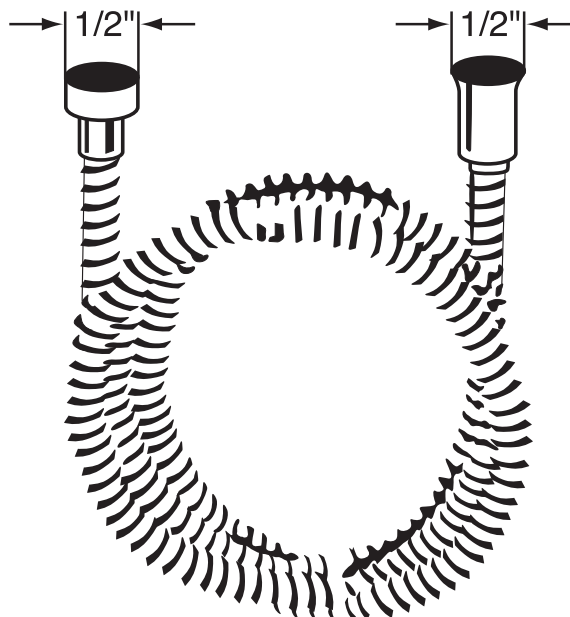
COLOR/FINISH

- Polished Chrome
- Polished Nickel
- Satin Nickel
- Tuscan Brass
- Inca Brass
- Matte Black
- Old Iron *

*Old Iron finish only available for 16295

WARRANTY

- 2-year Limited Warranty**
- ** No warranty on Tuscan Brass





1/2" SHARED THERMOSTATIC SHOWER WITH DIVERTER

ROHL Spa Shower

R1055BD

FEATURES

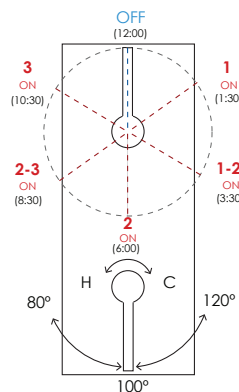
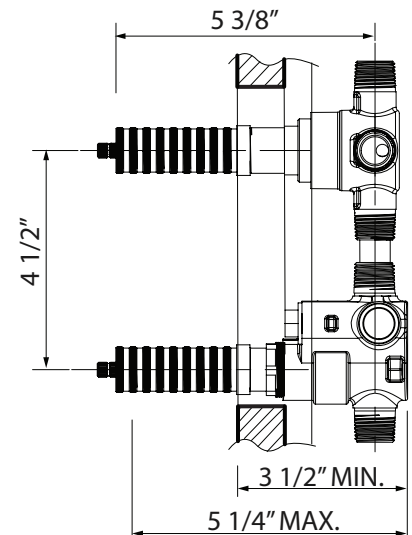
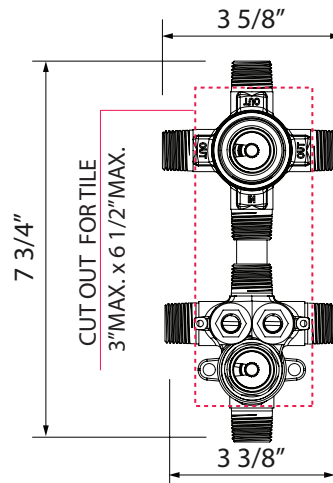
- Top handle allows dedicated flow to three functions
- Up to two shared functions may be actuated at once
- Degree of diverter engagement allows flow rate adjustment.
- Cast Brass construction
- Service stops included
- Primary screens at the cartridge
- Temperature control with integrated three outlet diverter; factory setting at 100°F
- Bottom outlet for tub filler only. A separate flow control valve and/or trim required for this application.
- Back of valve to finished wall 3 1/2" min., 5 1/4" max.
- Flow rate 6.7 GPM at 60 PSI
- 1/2" male inlets, 3 x 1/2" male outlets
- Complete with mud guard for installation
- If PEX is utilized, oversize the supply line to 3/4" for full flow capacity
- If only two outlets are being utilized, cap is included to close "dead" outlet
- Bottom control sets temperature
- Extension kits included, may be cut to length if required.
- Must order trim to complete
- California Non-Compliant

COLORS/FINISHES

- Rough Only

WARRANTY

- Limited Lifetime



The R1055BD valve has two shared positions. The operation is dedicated and only one outlet will operate at a time. There are 5 on positions and 1 off positions. It is suggested the 12 O'clock position be the off position.

Installer will need to set:

- The on positions will then be 10:30, 8:30, 6:00, 3:30 and 1:30
- The off positions will be 12:00

- Turn counterclockwise for HOT
- Turn clockwise for COLD

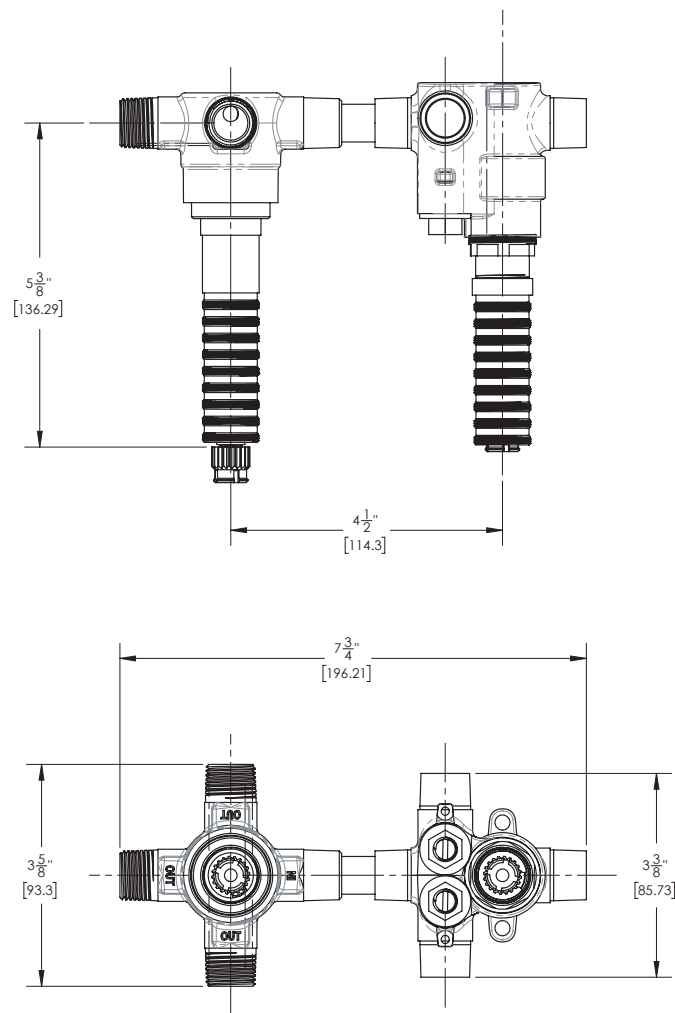
INSTALLATION INSTRUCTIONS

R1050BD- SINGLE FUNCTION OPERATION 1/2" THERMOSTATIC VALVE R1055BD- SHARED FUNCTION OPERATION 1/2" THERMOSTATIC VALVE

INSTALLATION INSTRUCTIONS

WE RECOMMEND THAT ALL PLUMBING PRODUCTS BE INSTALLED BY A LICENSED PROFESSIONAL

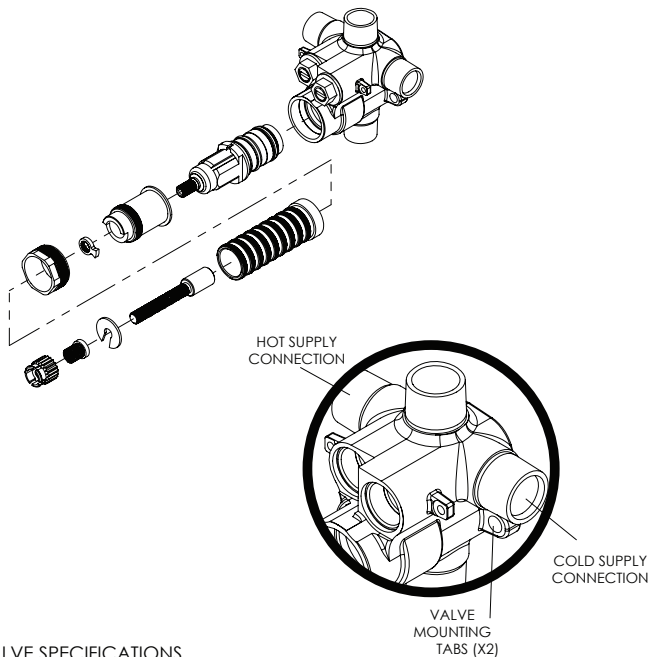
IMPORTANT: Thoroughly read instructions before installation.



INSTALLATION INSTRUCTIONS

The valve is designed with two outlets for ease of installation, but are not intended to be used concurrently with each other. Using both outlets will reduce the performance of the valve.

WARNING: IF THIS VALVE IS INSTALLED UPSIDE-DOWN A REVERSE CARTRIDGE IS NOT AVAILABLE. CONSEQUENTLY, VALVE MUST BE REMOVED AND REINSTALLED RIGHT-SIDE UP.



VALVE SPECIFICATIONS

Female 1/2" NPT inlets and outlets
 Factory temperature setting = 100°F (38°C)
 Temperature range = 52° to 118°F (11°-48°C)
 Temperature hot supply = 149° to 180°F (65°-82°C)
 Temperature cold supply = 50° to 72°F (10°-22°C)
 Temperature stability = ±32°F (0°C)

Recommended supply pressure = 20 to 80 psi (1.38-5.52 bar)
 Recommended hot water supply temperature = 120° to 140°F (48°-60°C)

Operating pressures between hot and cold supplies should vary no more than 30 psi (2.07 bar).
 If water pressure exceeds 70 psi (4.83 bar), install a pressure reducing valve.

Ensure the mixing valve is in compliance with local plumbing codes when setting the temperature on the water heater.

It is the installer's responsibility to verify correct temperature setting to prevent any risk of scalding prior to consumer use.

MAINTENANCE (continued)

CHECK VALVES

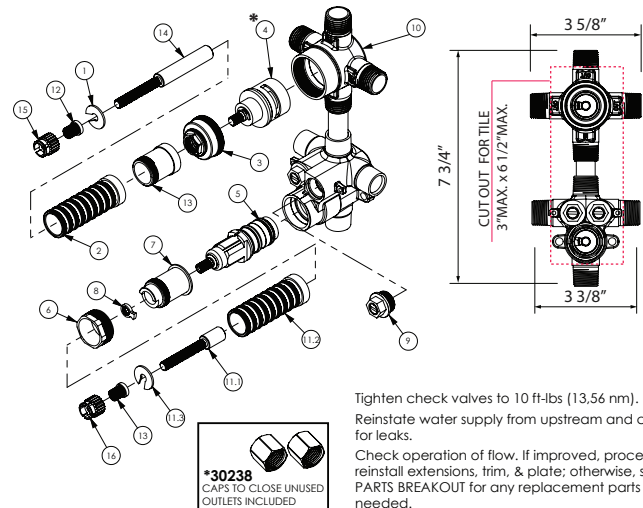
Shut off water supply at main or upstream from valve body.

Remove check valve with a 5/8" (16mm) socket wrench from the body.

Clean check valve by rinsing it under running water to remove any possible debris.

Wipe check valve and housing seat clean and apply a thin film of NON-PETROLEUM GREASE to o-rings.

NOTE: Do NOT use oil based lubricants as this may cause o-rings to dry out over time and crack.



Tighten check valves to 10 ft-lbs (13.56 nm).
 Reinstate water supply from upstream and check for leaks.

Check operation of flow. If improved, proceed to reinstall extensions, trim, & plate; otherwise, see PARTS BREAKOUT for any replacement parts needed.

ITEM	PART	DESCRIPTION	QTY.	ITEM	PART	DESCRIPTION	QTY.
1	10333	C-WASHER STABILIZER	1	10	2-132	BRAZED THERMO W/ DIVERTER VALVE	1
2	10334	M24X1.0 EXTENSION	1	11	3-056	EXTENSION KIT, M24 - 20PT - STABILIZER	1
3	10349	NUT CAP FOR 3WAY DIVERTER	1	11.1	10332	20 POINT BROACH EXTENSION	1
4a	11297	CARTRIDGE, DIVERTER 3 POSITION NON-SHARED (R1050BD)	1	11.2	10334	M24X1.0 EXTENSION	1
4b	11417	CARTRIDGE, SHARED DIVERTER (R10558D)	1	11.3	10333	C-WASHER STABILIZER	1
5	10625	CARTRIDGE VALVE, THERMO	1	12	30230	STEM ADAPTOR FOR PERRIN & ROWE	2
6	11318	RETAINER NUT FOR THERM CARTRIDGE	1	13	30232	EXTENSION SLEEVE, M24 INT./EXT. THERM W/ DIVERTER	1
7	11319	CARTRIDGE RETAINER SLEEVE, THERM	1	14	30233	20 POINT BROACH EXTENSION	1
8	11320	SAFETY AND MECHANICAL STOP	1	15	30238	COUNTRY ADAPTOR	2
9	2-130	SHUTOFF NUT, MINI THERMO	2				

INSTALLATION INSTRUCTIONS

MAINTENANCE

THERMOSTATIC CARTRIDGE

Carefully remove the trim and plate and place in a safe location for the time being.

Use a flat head screwdriver to shut off the water supply to the cartridge by turning the temporary shutoff screws clockwise until screw stops. Ensure to close both the hot and cold sides of the water supplies.

Remove extensions to gain access to the cartridge nut. Unscrew the cartridge nut using a 11/16" adjustable wrench, if possible.

Gently pull the cartridge out of the housing body (rotating cartridge while pulling may assist in removal).

Clean the cartridge by rinsing it under running water to remove any possible debris.

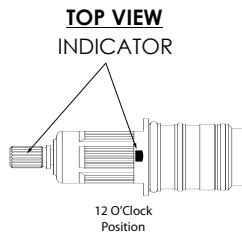
Wipe cartridge and rough housing clean and apply a thin film of NON-PETROLEUM GREASE to o-rings on cartridge.

NOTE: Do NOT use oil based lubricants as this may cause the o-rings to dry out over time and crack.

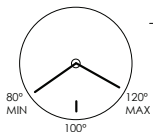
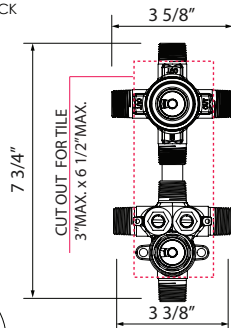
Carefully install the cartridge back into the housing body and tighten nut to 10 ft-lbs (13.56 nm).

ATTENTION: Ensure the INDICATOR NOTCH on cartridge and GREEN LINE on stem are orientated at the 12 O'Clock position. The Temperature stop must be in the 6 O'Clock position.

Fully open temporary shutoff screws and check for leaks. Check operation of flow. If improved, proceed to reinstall extensions, trim & plate; otherwise, CHECK VALVES.



FRONT VIEW

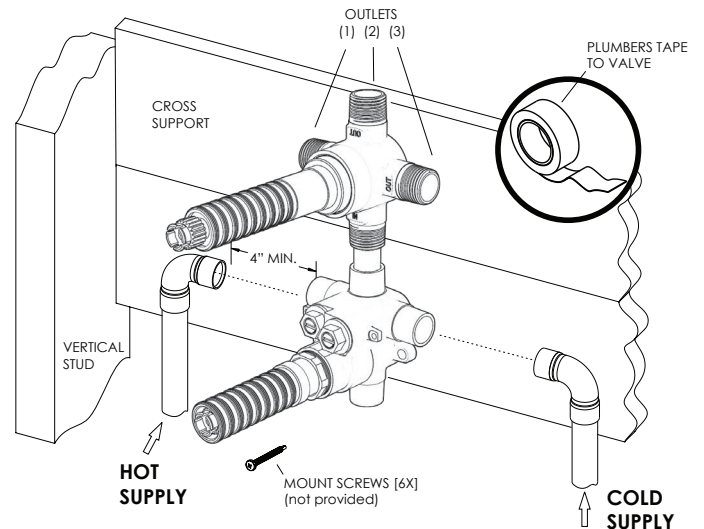


ROUGH IN VALVE TO FRAME

Once the desired location has been determined, install a cross support beam to wall studs.

Ensure to level the valve and secure to the cross support. The valve should be level horizontally, vertically, and parallel to finished wall.

Placement of valve and cross support within the wall shall be determined by the MIN/MAX limits shown on MUDGUARD. For complete detailed valve dimensions see ROUGH-IN DIMENSIONS.



WATER CONNECTIONS

Attach OUTLET (1) to the shower head and outlets (2) and (3) to any optional devices, such as hand shower or body sprays. Any outlet not being used must be plugged.

Pre-assemble fittings before attaching to valve. Attach the "COLD" INLET to COLD SUPPLY and "HOT" INLET to HOT SUPPLY using copper supply lines.

IMPORTANT: Thoroughly flush supply lines to remove any debris prior to installation to prevent damage and malfunction of thermostatic cartridge.

ATTENTION: Use plumbers tape or thread sealant to all threaded part joints and attach to valve. All soldering/brazing of fittings shall be performed a minimum of 4" away from valve.

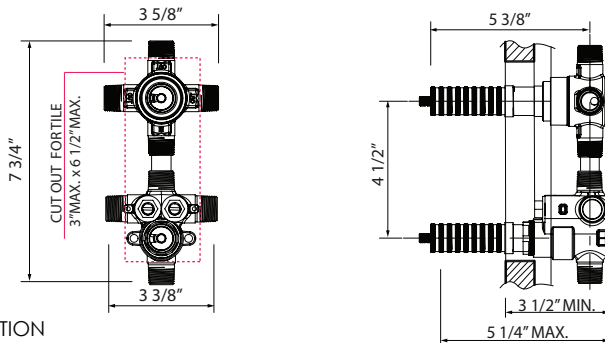
WARNING: DO NOT APPLY HEAT DIRECTLY TO THE VALVE AS THIS MAY DAMAGE RUBBER & PLASTIC SEALS AND WILL VOID WARRANTY.

Turn on water supplies to valve and check for leaks.

INSTALLATION INSTRUCTIONS

ROUGH IN DIMENSIONS

(All dimensions shown are to the nearest 1/16")



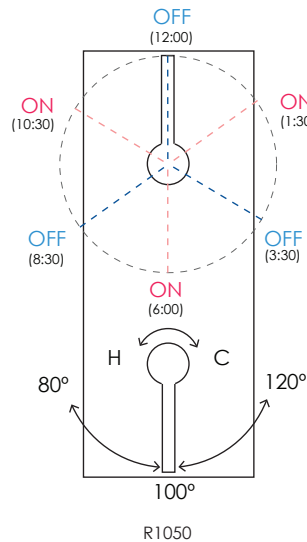
FUNCTION

The R1050BD valve is Calgreen compatible

The operation is dedicated and only one outlet will operate at a time. There are 3 on positions and 3 off positions. It is suggested the 12 O'clock position be the off position.

Installer will need to set:

The on positions will then be 10:30, 6:00 and 1:30
The off positions will be 8:30, 3:30 and 12:00



FUNCTION

The R1055BD valve has two shared positions. The operation is dedicated and only one outlet will operate at a time. There are 5 on positions and 1 off positions. It is suggested the 12 O'clock position be the off position.

Installer will need to set:

The on positions will then be 10:30, 8:30, 6:00, 3:30 and 1:30
The off positions will be 12:00

