

LOMBARDIA / AVANTI TRIM FOR 1/2" THERMOSTATIC/DIVERTER CONTROL ROUGH VALVE

ROHL Modern Bath

A4264XM (Cross Handles)

A4264LM (Metal Levers)

FEATURES

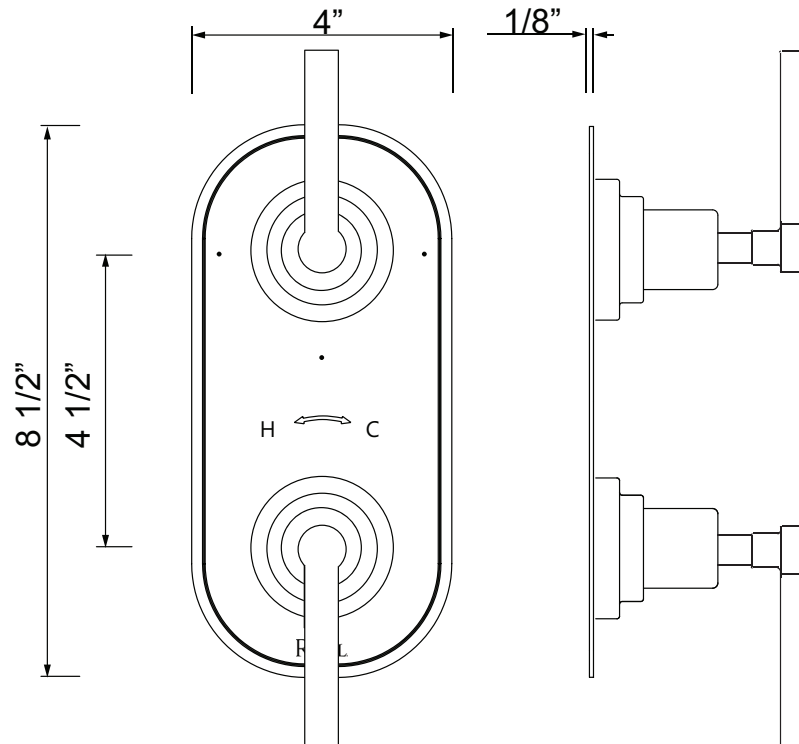
- Trimplate, diverter control, temperature control
- Brass construction
- Must order R1050BD rough valve to complete
- Includes ROHL logo on trim plate

COLORS/FINISHES

- Polished Chrome
- Polished Nickel
- Satin Nickel
- Tuscan Brass
- Matte Black

WARRANTY

- Limited Lifetime*
- * No warranty on Tuscan Brass
- * 5-year warranty on Matte Black





8" OKI ROUND RAIN SHOWERHEAD

I00405

FEATURES

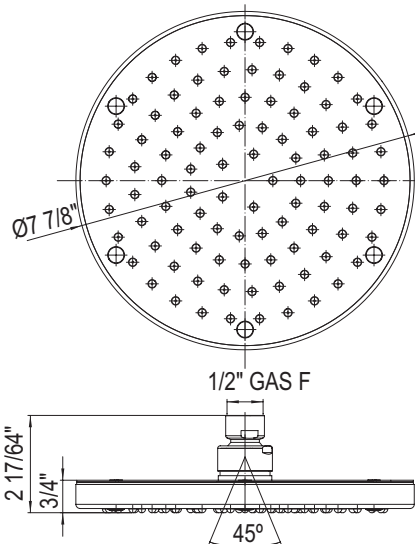
- 7 7/8" diameter
- Single-function Rain showerhead
- ABS construction
- Flexible calcium resistant nozzles on spray face allow for easy removal of hard water build-up
- 1/2" female inlet with swivel connection
- Flow rate 1.8 GPM
- Flow is similar to a gentle rain. The best installation position is pointing straight down.

COLORS/FINISHES

- Polished Chrome
- Polished Nickel
- Satin Nickel
- Italian Brass
- Satin Gold
- Tuscan Brass*

WARRANTY

- 2-year Limited Warranty
- (*) No Warranty



ROHL

Authentic Luxury for Kitchen and Bath®

www.rohlhome.com



WALL MOUNT SHOWER ARM

ROHL SPA Shower Collection

1120/12 (12" Shower Arm)

1120 (20" Shower Arm)

FEATURES

- 1120/12: 12" Shower arm
- 1120: 20" Shower arm
- Solid brass construction shower arm
- Adjustable ABS wall flange
- 1/2" male inlet, 1/2" male outlet
- Inca Brass not available
- Escutcheon replacement part #1120E(FINISH)

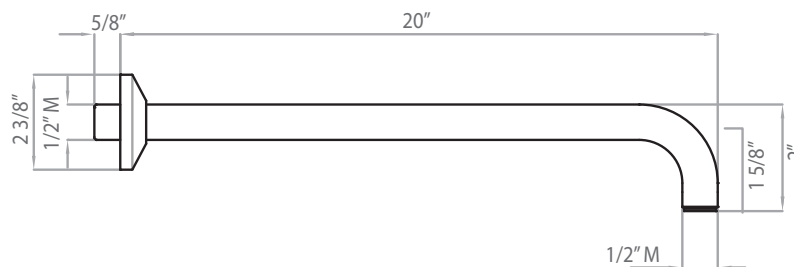
COLORS/FINISHES

- Polished Chrome
- Polished Nickel
- Satin Nickel
- Tuscan Brass

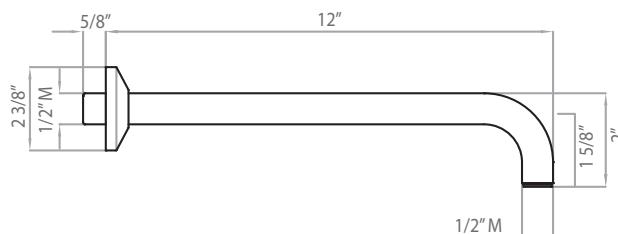
WARRANTY

- Two years on manufacturer defects*
- *No Warranty on Tuscan Brass finish

1120



1120/12





ECOMODERN HANDSHOWER

Spa Shower Collection

SOF136

FEATURES

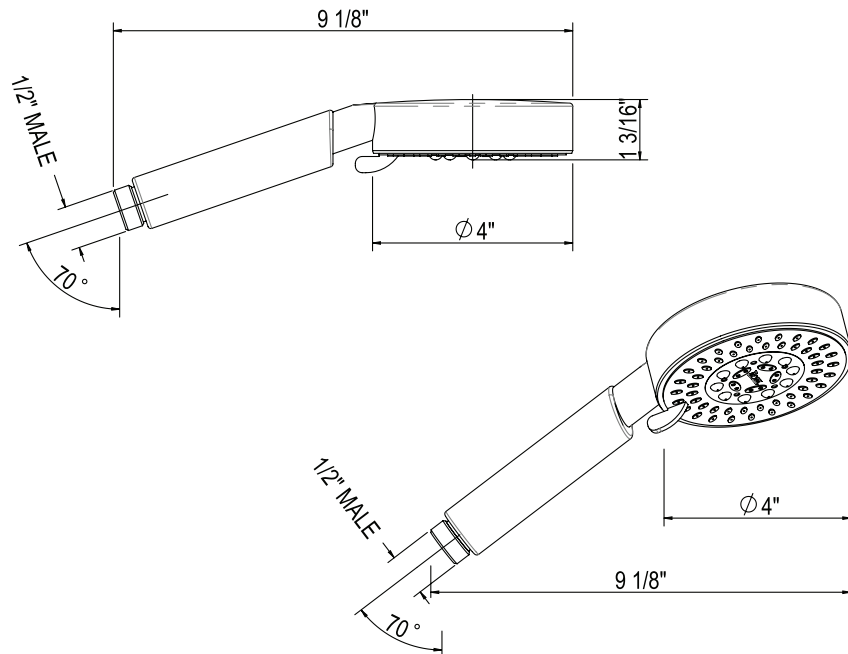
- 5-function spray patterns: Classic Spray, Concentrated Spray, Mist, Classic/Concentrated, Classic/Mist
- Contemporary style
- 4" diameter spray face or faceplate
- Finger notch for easy rotation between spray functions
- Position definition between spray functions is positive 1/2" male connection
- Eco and environmentally friendly, restricted to 1.75 GPM
- Flexible calcium resistant nozzles on spray face allow for easy removal of hard water build-up
- Cleansing spray modes to leave user feeling rinsed and clean
- Includes ROHL logo on handshower spray face
- ABS construction

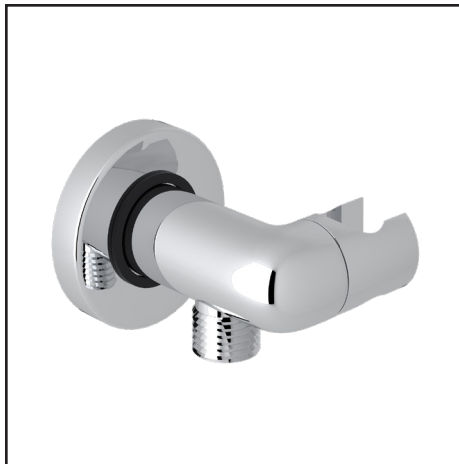
COLORS/FINISHES

- Polished Chrome
- Polished Nickel
- Satin Nickel

WARRANTY

- 2 Years on Manufacturer Defects





MODERN PIVOTING HANDSHOWER HOLDER WITH HOSE

Spa Shower

CD8000

FEATURES

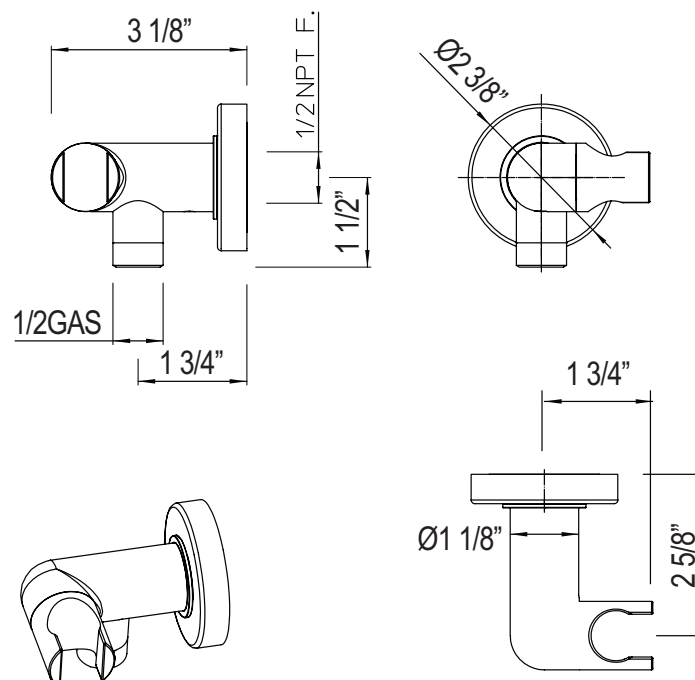
- Brass construction
- 1/2" female inlet connection, 1/2" male outlet hose connection
- Must order hose and handshower separately
- Swivel or pivot handshower holder

COLORS/FINISHES

- Polished Chrome
- Polished Nickel
- Satin Nickel
- Matte Black
- Tuscan Brass*

WARRANTY

- 2-Year Limited Lifetime
- (*) No Warranty





METAL SHOWER HOSE ASSEMBLY

ROHL Spa Shower Collection

16295 (59" hose)

16295/79 (79" hose)

FEATURES

- Brass outer coil
- Double spiral
- PVC lining
- Does not warp or stretch
- 1/2" female connections
- Hose length:
 - 16295 - 59"
 - 16295/79 - 79"

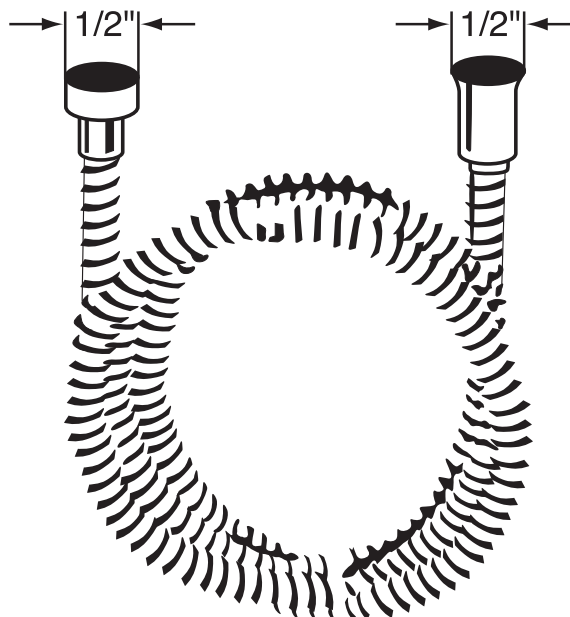
COLOR/FINISH

- Polished Chrome
- Polished Nickel
- Satin Nickel
- Tuscan Brass
- Inca Brass
- Matte Black
- Old Iron *

*Old Iron finish only available for 16295

WARRANTY

- 2-year Limited Warranty**
- ** No warranty on Tuscan Brass





AVANTI WALL MOUNT TUB SPOUT

ROHL Transitional Bath Avanti

A2203

FEATURES

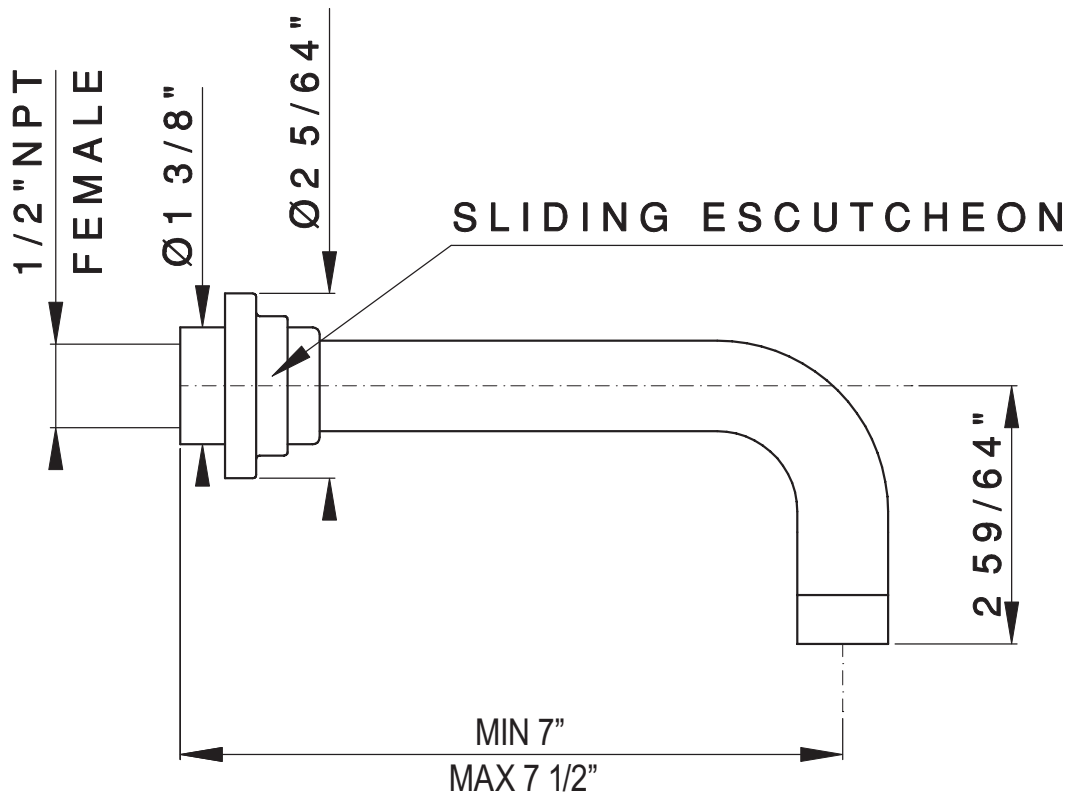
- 1/2" female NPT inlet
- Minimum 7" reach
- Brass construction
- Assembly requires special fitting included with spout

COLORS/FINISHES

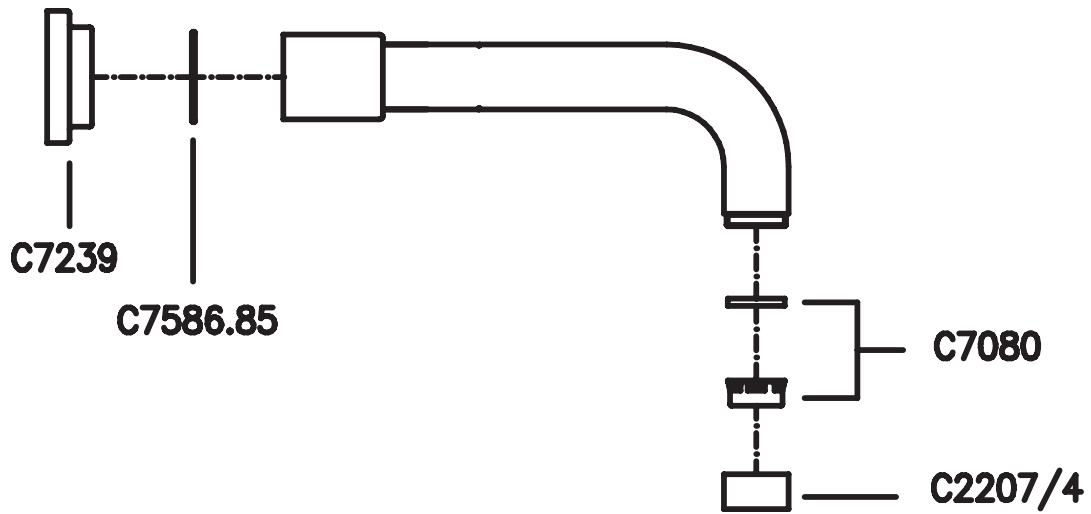
- Polished Chrome
- Polished Nickel
- Inca Brass
- Satin Nickel
- Tuscan Brass
- Matte Black

WARRANTY

- Limited Lifetime*
- * No warranty on Tuscan Brass
- * 5-year warranty on Inca Brass
- * 5-year warranty on Matte Black



A2203 PARTS





UNIVERSAL 1/2" THERMOSTATIC ROUGH VALVE WITH INTEGRATED THREE OUTLET DEDICATED DIVERTER

ROHL Spa Shower

R1053BD

FEATURES

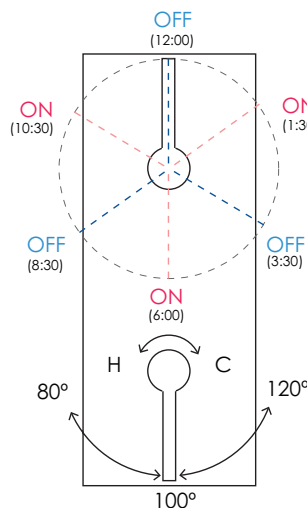
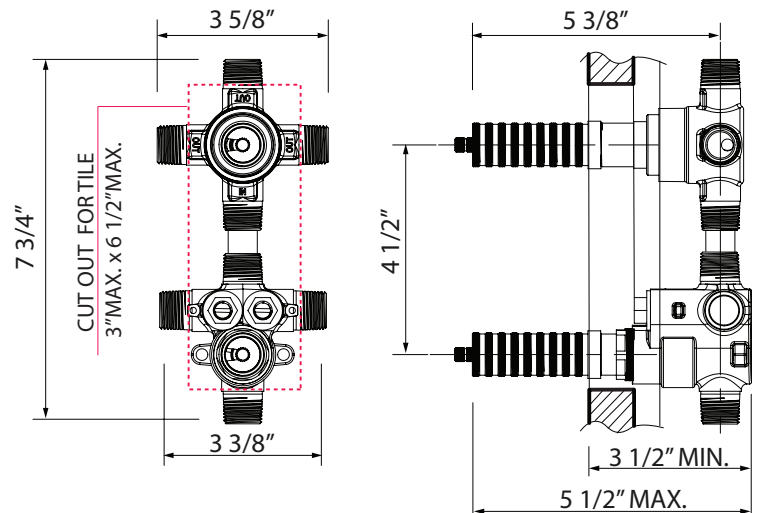
- Top handle diverts the water three ways
- CALGreen compliant.
- Service stops included
- Primary screens at the cartridge
- Temperature control with integrated three outlet diverter; factory setting at 100°F
- Cast brass construction
- Bottom outlet for tub filler only. A separate flow control valve and/or trim required for this application.
- Back of valve to finished wall 3 1/2" min., 5 1/2" max.
- Flow rate 6.7 GPM at 60 PSI
- 1/2" male inlets, 3 x 1/2" male outlets
- Complete with mud guard for installation
- If PEX is utilized, oversize the supply line to 3/4" for full flow capacity
- If only two outlets are being utilized, cap is included to close "dead" outlet
- Bottom control sets temperature
- Extension kit included, may be cut to length required
- Must order trim to complete
- Shared function cartridge available, order 11417

COLOR/FINISH

- Rough only

WARRANTY

- Limited Lifetime



The R1053BD valve is Calgreen compatible
 The operation is dedicated and only one outlet will operate at a time.
 There are 3 on positions and 3 off positions.
 It is suggested the 12 O'clock position be the off position.

Installer will need to set:

- The on positions will then be 10:30, 6:00 and 1:30
- The off positions will be 8:30, 3:30 and 12:00

- Turn counterclockwise for HOT
- Turn clockwise for COLD

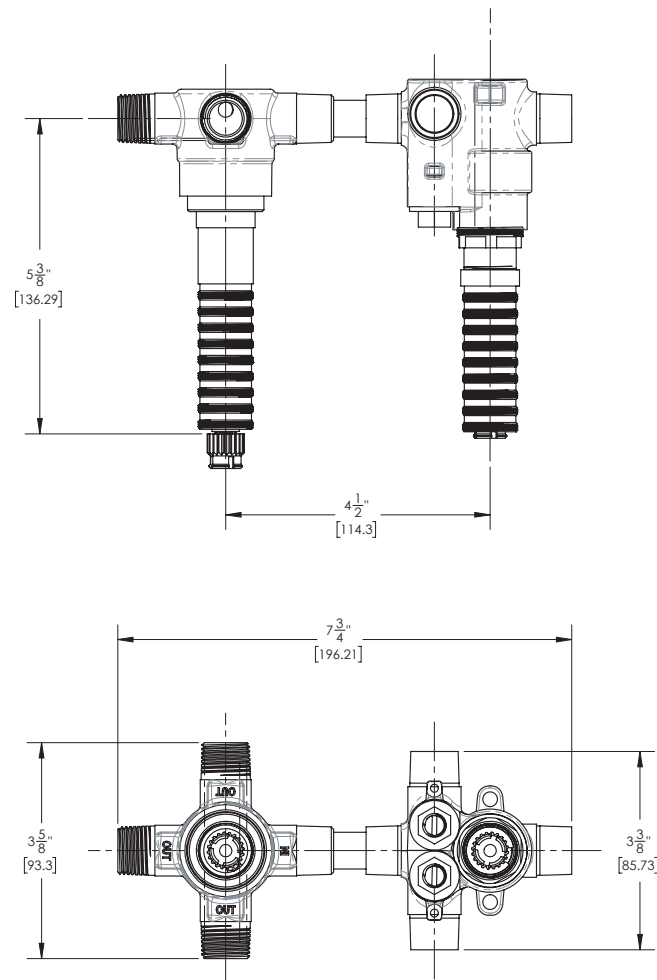
INSTALLATION INSTRUCTIONS

R1050BD- SINGLE FUNCTION OPERATION 1/2" THERMOSTATIC VALVE
R1053BD- SINGLE FUNCTION OPERATION 1/2" THERMOSTATIC VALVE
R1055BD- SHARED FUNCTION OPERATION 1/2" THERMOSTATIC VALVE

For use with shower heads rated at 1.3 gpm - 4.9 L/min or higher

WE RECOMMEND THAT ALL PLUMBING PRODUCTS BE INSTALLED BY A LICENSED PROFESSIONAL

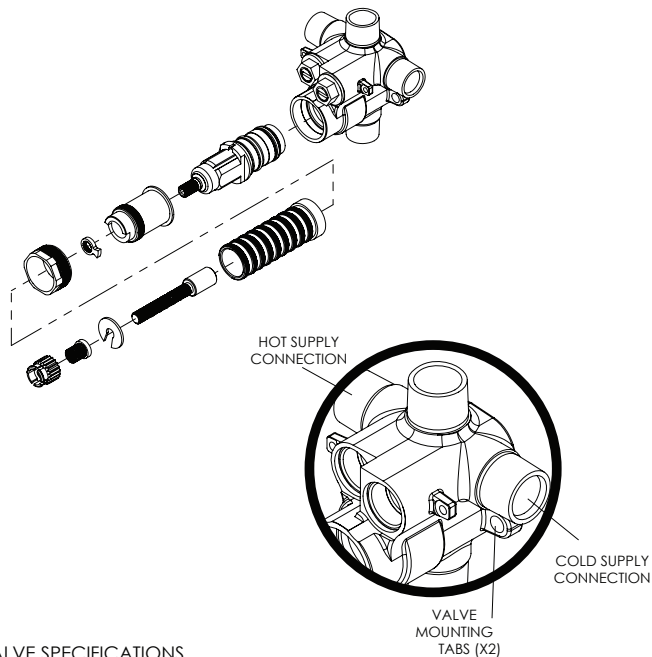
IMPORTANT: Thoroughly read instructions before installation.



INSTALLATION INSTRUCTIONS

The valve is designed with two outlets for ease of installation, but are not intended to be used concurrently with each other. Using both outlets will reduce the performance of the valve.

WARNING: IF THIS VALVE IS INSTALLED UPSIDE-DOWN A REVERSE CARTRIDGE IS NOT AVAILABLE. CONSEQUENTLY, VALVE MUST BE REMOVED AND REINSTALLED RIGHT-SIDE UP.



VALVE SPECIFICATIONS

Female 1/2" NPT inlets and outlets
 Factory temperature setting = 100°F (38°C)
 Temperature range = 52° to 118°F (11°-48°C)
 Temperature hot supply = 149° to 180°F (65°-82°C)
 Temperature cold supply = 50° to 72°F (10°-22°C)
 Temperature stability = ±32°F (0°C)

Recommended supply pressure = 20 to 80 psi (1.38-5.52 bar)
 Recommended hot water supply temperature = 120° to 140°F (48°-60°C)

Operating pressures between hot and cold supplies should vary no more than 30 psi (2.07 bar).
 If water pressure exceeds 70 psi (4.83 bar), install a pressure reducing valve.

Ensure the mixing valve is in compliance with local plumbing codes when setting the temperature on the water heater.

It is the installer's responsibility to verify correct temperature setting to prevent any risk of scalding prior to consumer use.

MAINTENANCE (continued)

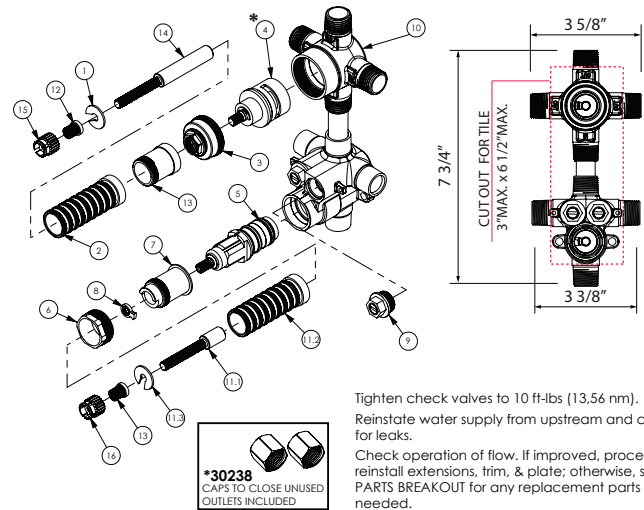
CHECK VALVES

Shut off water supply at main or upstream from valve body.

Remove check valve with a 5/8" (16mm) socket wrench from the body.

Clean check valve by rinsing it under running water to remove any possible debris.

Wipe check valve and housing seat clean and apply a thin film of NON-PETROLEUM GREASE to o-rings.
NOTE: Do NOT use oil based lubricants as this may cause o-rings to dry out over time and crack.



Tighten check valves to 10 ft-lbs (13.56 nm).
 Reinstate water supply from upstream and check for leaks.
 Check operation of flow. If improved, proceed to reinstall extensions, trim, & plate; otherwise, see PARTS BREAKOUT for any replacement parts needed.

ITEM	PART	DESCRIPTION	QTY.	ITEM	PART	DESCRIPTION	QTY.
1	10333	C-WASHER STABILIZER	1	10	2-132	BRAZED THERMO W/ DIVERTER VALVE	1
2	10334	M24X1.0 EXTENSION	1	11	3-056	EXTENSION KIT, M24 - 20PT - STABILIZER	1
3	10349	NUT CAP FOR 3WAY DIVERTER	1	11.1	10332	20 POINT BROACH EXTENSION	1
4a	11297	CARTRIDGE, DIVERTER 3 POSITION NON-SHARED (R1050BD)	1	11.2	10334	M24X1.0 EXTENSION	1
4b	11417	CARTRIDGE, SHARED DIVERTER (R1055BD)	1	11.3	10333	C-WASHER STABILIZER	1
5	11573	CARTRIDGE VALVE, MINI THERM, THERMOSTAR S18 TYP 2	1	12	30230	STEM ADAPTOR FOR PERRIN & ROWE	2
6	11318	RETAINER NUT FOR THERM CARTRIDGE	1	13	30232	EXTENSION SLEEVE, M24 INT./EXT. THERM W/ DIVERTER	1
7	11319	CARTRIDGE RETAINER SLEEVE, THERM	1	14	30233	20 POINT BROACH EXTENSION	1
8	11320	SAFETY AND MECHANICAL STOP	1	15	30238	COUNTRY ADAPTOR	2
9	2-130	SHUTOFF NUT, MINI THERMO	2				

INSTALLATION INSTRUCTIONS

MAINTENANCE

THERMOSTATIC CARTRIDGE

Carefully remove the trim and plate and place in a safe location for the time being.

Use a flat head screwdriver to shut off the water supply to the cartridge by turning the temporary shutoff screws clockwise until screw stops. Ensure to close both the hot and cold sides of the water supplies.

Remove extensions to gain access to the cartridge nut. Unscrew the cartridge nut using a 11/16" adjustable wrench, if possible.

Gently pull the cartridge out of the housing body (rotating cartridge while pulling may assist in removal).

Clean the cartridge by rinsing it under running water to remove any possible debris.

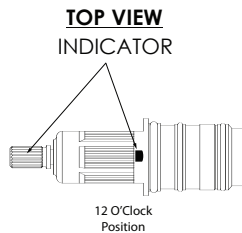
Wipe cartridge and rough housing clean and apply a thin film of NON-PETROLEUM GREASE to o-rings on cartridge.

NOTE: Do NOT use oil based lubricants as this may cause the o-rings to dry out over time and crack.

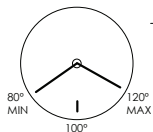
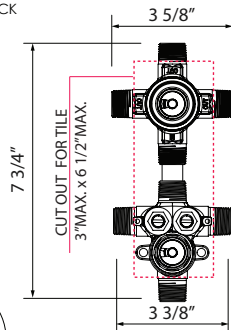
Carefully install the cartridge back into the housing body and tighten nut to 10 ft-lbs (13.56 nm).

ATTENTION: Ensure the INDICATOR NOTCH on cartridge and GREEN LINE on stem are orientated at the 12 O'Clock position. The Temperature stop must be in the 6 O'Clock position.

Fully open temporary shutoff screws and check for leaks. Check operation of flow. If improved, proceed to reinstall extensions, trim & plate; otherwise, CHECK VALVES.



FRONT VIEW

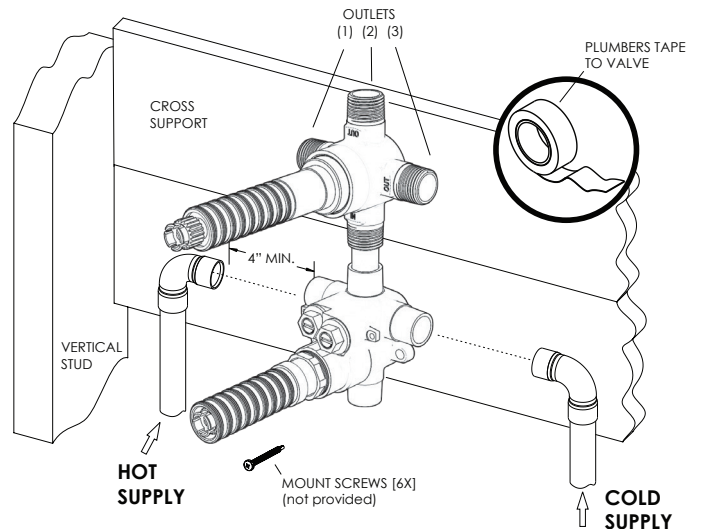


ROUGH IN VALVE TO FRAME

Once the desired location has been determined, install a cross support beam to wall studs.

Ensure to level the valve and secure to the cross support. The valve should be level horizontally, vertically, and parallel to finished wall.

Placement of valve and cross support within the wall shall be determined by the MIN/MAX limits shown on MUDGUARD. For complete detailed valve dimensions see ROUGH-IN DIMENSIONS.



WATER CONNECTIONS

Attach OUTLET (1) to the shower head and outlets (2) and (3) to any optional devices, such as hand shower or body sprays. Any outlet not being used must be plugged.

Pre-assemble fittings before attaching to valve. Attach the "COLD" INLET to COLD SUPPLY and "HOT" INLET to HOT SUPPLY using copper supply lines.

IMPORTANT: Thoroughly flush supply lines to remove any debris prior to installation to prevent damage and malfunction of thermostatic cartridge.

ATTENTION: Use plumbers tape or thread sealant to all threaded part joints and attach to valve. All soldering/brazing of fittings shall be performed a minimum of 4" away from valve.

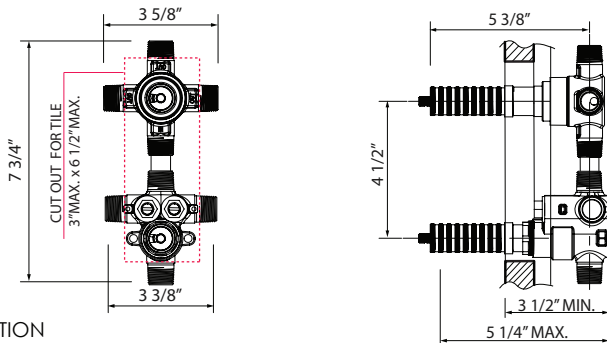
WARNING: DO NOT APPLY HEAT DIRECTLY TO THE VALVE AS THIS MAY DAMAGE RUBBER & PLASTIC SEALS AND WILL VOID WARRANTY.

Turn on water supplies to valve and check for leaks.

INSTALLATION INSTRUCTIONS

ROUGH IN DIMENSIONS

(All dimensions shown are to the nearest 1/16")



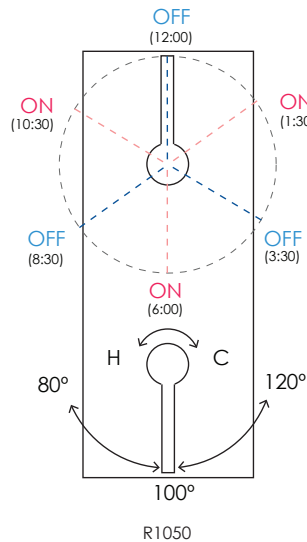
FUNCTION

The R1050BD valve is Calgreen compatible

The operation is dedicated and only one outlet will operate at a time. There are 3 on positions and 3 off positions. It is suggested the 12 O'clock position be the off position.

Installer will need to set:

The on positions will then be 10:30, 6:00 and 1:30
The off positions will be 8:30, 3:30 and 12:00



FUNCTION

The R1055BD valve has two shared positions. The operation is dedicated and only one outlet will operate at a time. There are 5 on positions and 1 off positions. It is suggested the 12 O'clock position be the off position.

Installer will need to set:

The on positions will then be 10:30, 8:30, 6:00, 3:30 and 1:30
The off positions will be 12:00

