

TENERIFE™ 1/2" THERM & PRESSURE BALANCE TRIM WITH 5 FUNCTIONS

TTE45W1

FEATURES

- Patented valve technology with both thermostatic and pressure balance functionality
- Temperature and volume control
- 5 functions: 3 outlets, with sharing between 2 outlets
- Rough-in valve sold separately
- Order R45 therm & pressure balance rough-in valve to complete
- Cartridge ships with trim set
- Not CEC compliant

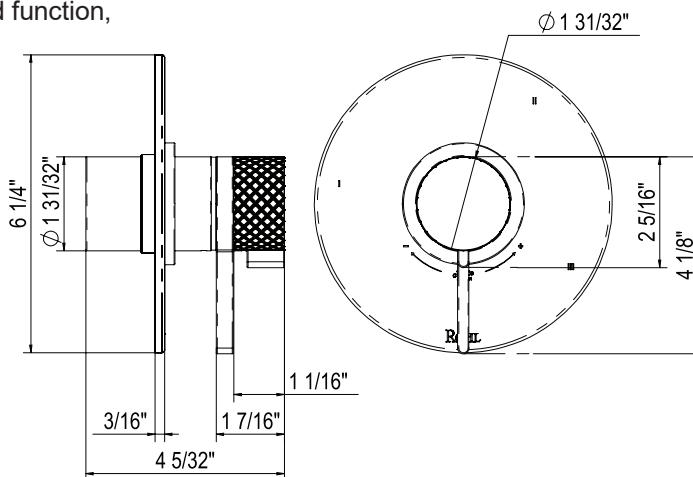
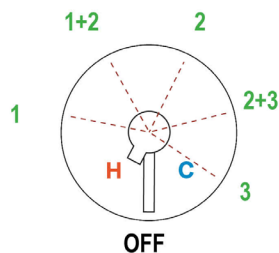
COLORS/FINISHES

- Polished Chrome
- Polished Nickel
- Satin Nickel
- Matte Black*
- Antique Gold *

WARRANTY

- Limited Lifetime
- (*) 5-Year Limited Warranty

Handle is off at 6 O'Clock,
 Rotate clockwise to 9 O'Clock for one function
 Rotate to 10 O'Clock for the shared function.
 Rotate to 1 O'Clock for second function.
 Rotate clockwise about 3pm for the shared function,
 4 O'Clock for third function.
 Functions 1+2 and 2+3 share.
 Handle will rotate 360 degrees





SINGLE-FUNCTION 4" HANDSHOWER

40126HS1

FEATURES

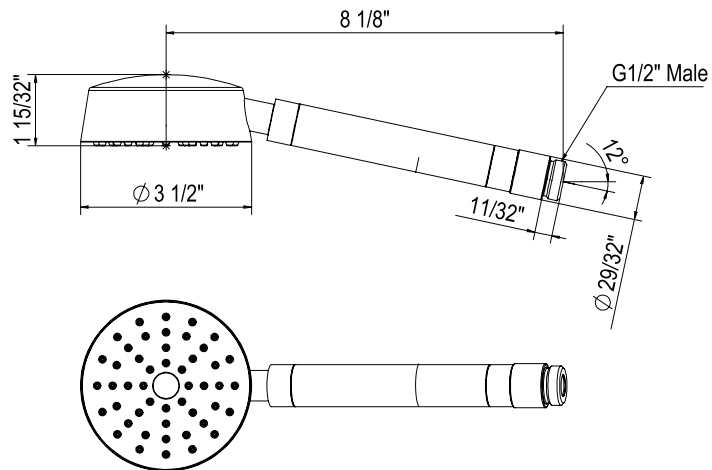
- Complements Tenerife™ collection and other transitional designs
- 1.75 GPM at 60 PSI (CEC compliant)
- 1-function spray pattern:
— Stream
- 1/2" male connection
- Matches: 310127 Shower Bar

COLORS/FINISHES

- Polished Chrome
- Polished Nickel
- Satin Nickel
- Matte Black
- Antique Gold

WARRANTY

- 2-year Limited Warranty





3-FUNCTION 5" SHOWERHEAD

50126MF3

FEATURES

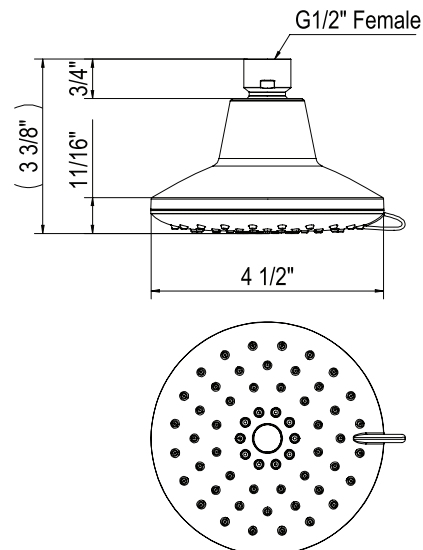
- 3 functions
- 1.8 GPM at 60 PSI (CEC compliant)
- 4 1/2" faceplate
- ABS construction
- Elastomer nozzles for easy cleaning of mineral build-up
- Complements: Modern, Transitional
- 1/2" female inlet with swivel connection

COLORS/FINISHES

- Polished Chrome
- Polished Nickel
- Satin Nickel
- Matte Black
- Antique Gold

WARRANTY

- 2-year Limited Warranty





7" REACH WALL MOUNT SHOWER ARM

70127SA

FEATURES

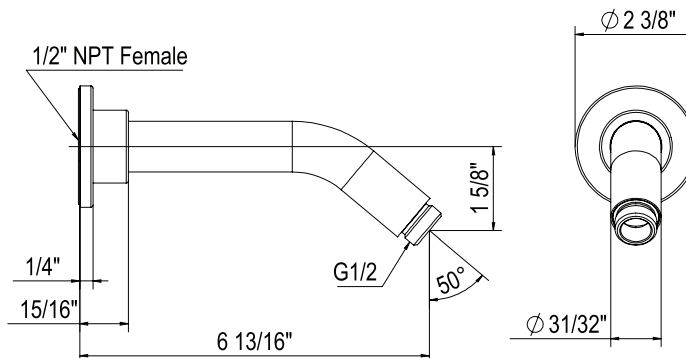
- Complements Tenerife™ collection and other transitional designs
- Brass construction
- Sliding escutcheon
- 1/2" female fitting adaptor
- 1/2" male thread outlet supply

COLORS/FINISHES

- Polished Chrome
- Polished Nickel
- Satin Nickel
- Matte Black
- Antique Gold

WARRANTY

- 2-year Limited Warranty





TENERIFE™ WALL MOUNT TUB SPOUT

TE16W1

FEATURES

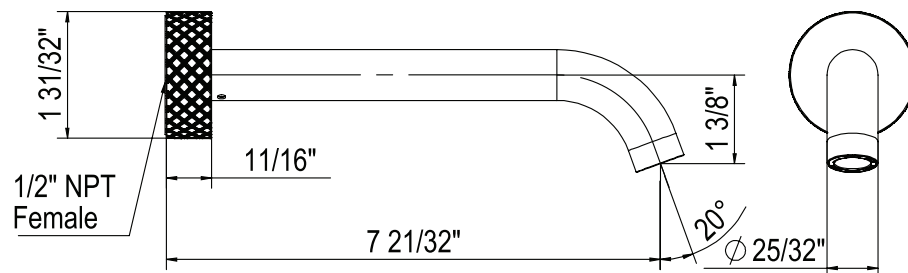
- 6.0 GPM at 60 PSI
- 1/2" female inlet
- Special fitting included

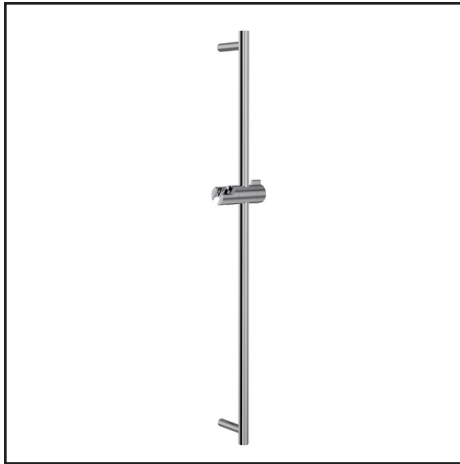
COLORS/FINISHES

- Polished Chrome
- Polished Nickel
- Satin Nickel
- Matte Black*
- Antique Gold *

WARRANTY

- Limited Lifetime
- (*) 5-Year Limited Warranty





31" SLIDE BAR

310127SB

FEATURES

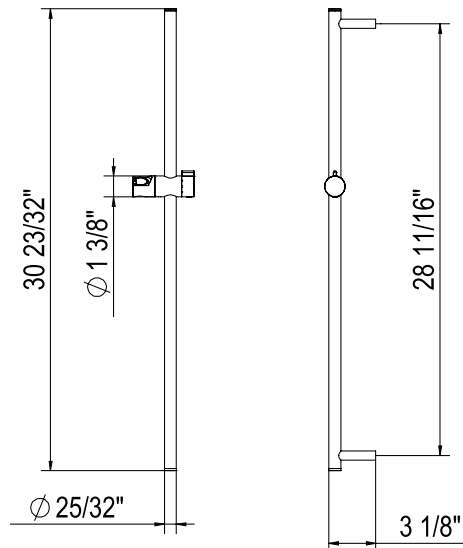
- Complements Tenerife™ collection and other transitional designs
- Length cannot be cut down
- Slide bar only
- Brass construction

COLORS/FINISHES

- Polished Chrome
- Polished Nickel
- Satin Nickel
- Matte Black
- Antique Gold

WARRANTY

- 2-year Limited Warranty





HANDSHOWER OUTLET

0127WO

FEATURES

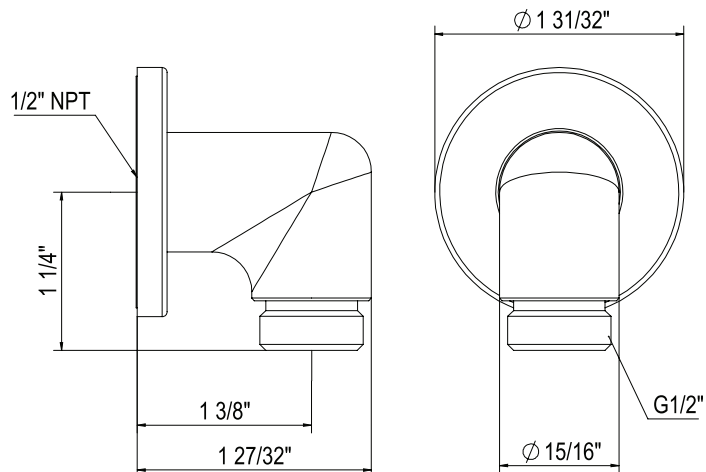
- Complements Tenerife™ collection and other transitional designs
- 1/2" female NPT inlet
- 1/2" male outlet
- Solid brass construction

COLORS/FINISHES

- Polished Chrome
- Polished Nickel
- Satin Nickel
- Matte Black
- Antique Gold

WARRANTY

- 2-year Limited Warranty





59" SHOWER HOSE

5927SH

FEATURES

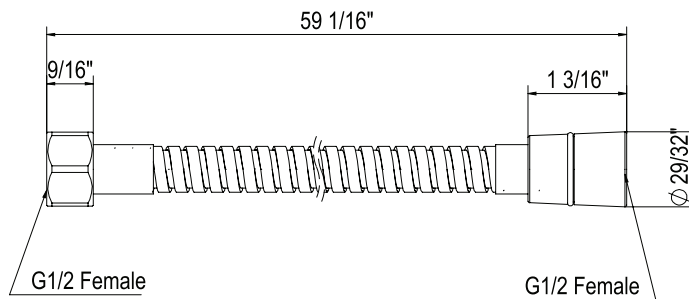
- Brass outer coil
- Double spiral
- PVC lining
- Does not warp or stretch
- 1/2" female connections (from 16295 spec)

COLORS/FINISHES

- Polished Chrome
- Polished Nickel
- Satin Nickel
- Matte Black
- Antique Gold

WARRANTY

- 2-year Limited Warranty





Specifications

Descriptions

- TXX45XX or TXX47XX trim required to complete
- 1/2" inlet male NPT or sweat
- Service valves
- Rough only
- Three 1/2" outlets male NPT or sweat
- Test cap

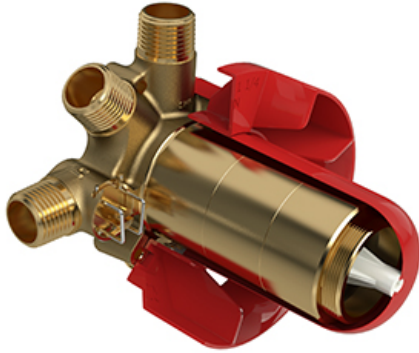
Available colors

- :

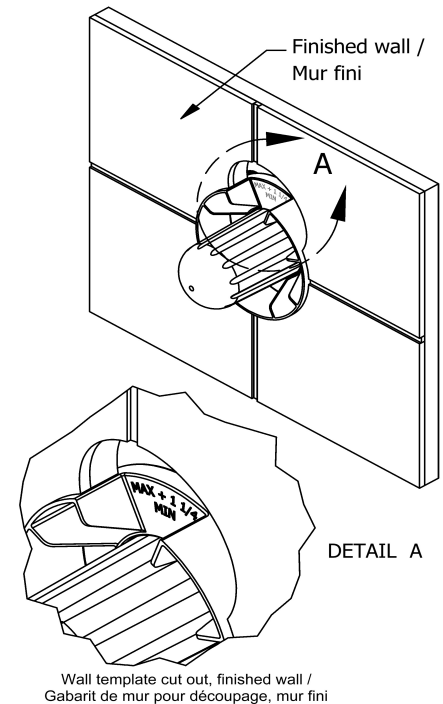
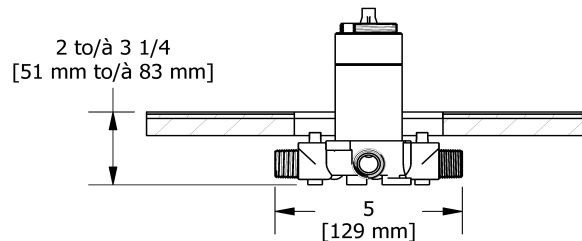
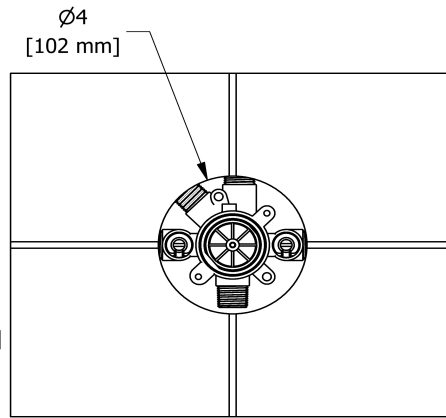
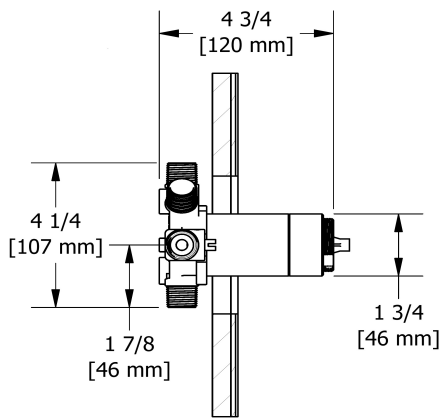
Certifications

- CSA B125.1
- ASME A112.18.1
- ASSE 1016
- CMR248 Approval

3-way Type T/P coaxial valve rough
R45



UPC®



Sizes, models and finishes may differ from those presented.

Warranty

This Riobel Inc. product you have purchased carries a Limited Lifetime Warranty on the chrome, PVD finish, blacks and all working parts and is guaranteed from the initial purchase date against all manufacturing defects. All other finishes, including plastic components, are guaranteed for one year. All electric and/or electronic parts are covered by a 5-year limited warranty. The warranty offered on our products will be honored only if the installation is performed by a certified master plumber.

Customer Care

Phone (800) 777 - 9762 | Email: customer-care@houseofrohl.com | Website: houseofrohl.com/support/contact-us

Consult your local House of Rohl showroom for additional information and specifications. For complete warranty details and a list of showrooms, go to houseofrohl.com