



WELLSFORD™ TRIM ONLY FOR VOLUME CONTROL
AND 4-PORT DEDICATED DIVERTER

Traditional Wellsford™

WE2319LMTO

FEATURES

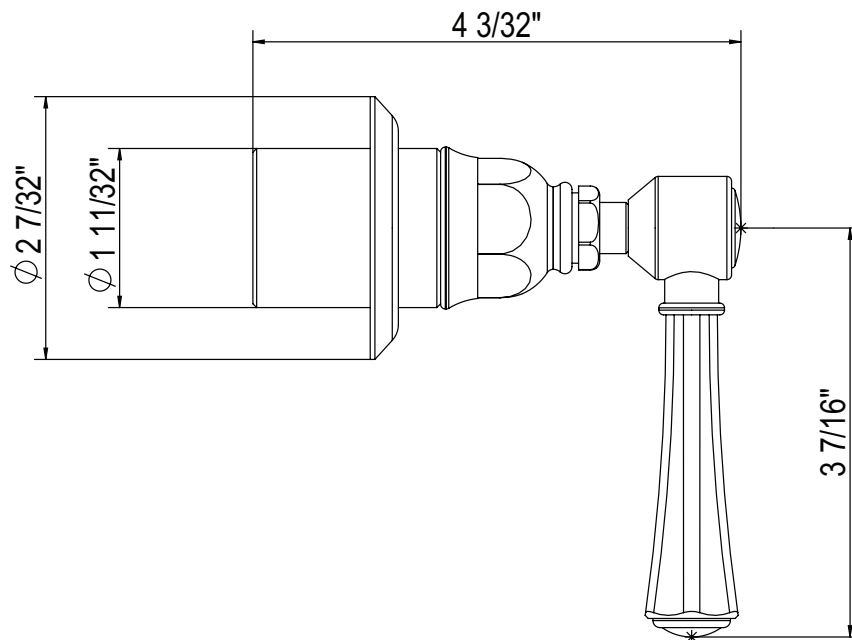
- Escutcheon, dome and metal lever handle only to:
 - R1040R 3/4" volume control rough
 - R1062BO dedicated 4-port, 3-way diverter rough
- Brass components
- Must order rough to complete package

COLORS/FINISHES

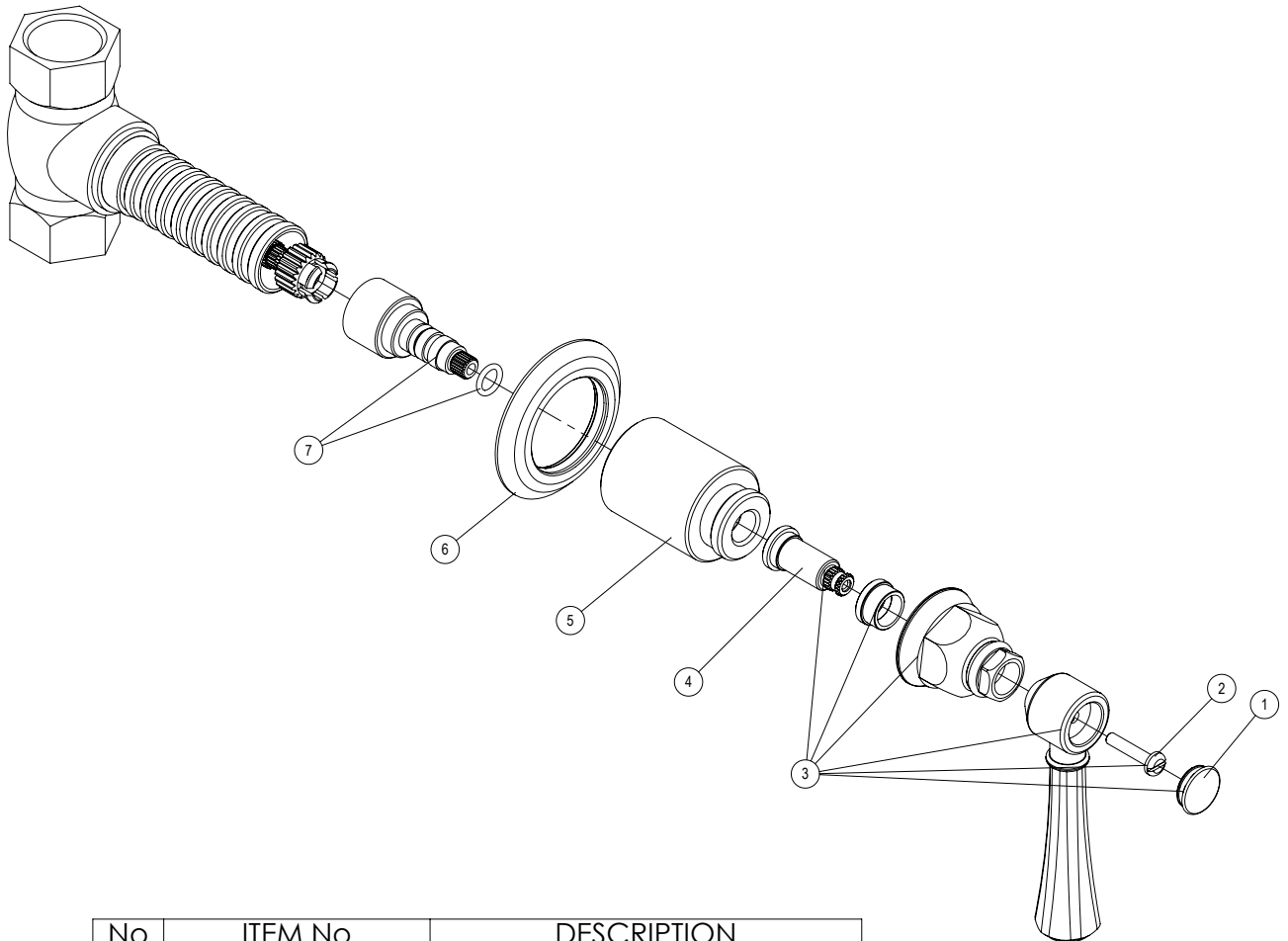
- Polished Chrome
- Polished Nickel
- Satin Nickel

WARRANTY

- Limited Lifetime



SPARE PARTS



No	ITEM No	DESCRIPTION
1	R9424971STN R9424972PN R9424973APC	HANDLE BUTTON
2	R942673	PAN HEAD SCREW M4X25/32"
3	R94027761STN R94027762PN R94027763APC	LEVER ASSEMBLY
4	R94027771STN R94027772PN R94027773APC	HANDLE SPACER
5	R90427711STN R90427712PN R90427713APC	SLEEVE
6	R94027751STN R94027752PN R94027753APC	ESCUTCHEON
7	R9402772	SPINDLE ADAPTOR

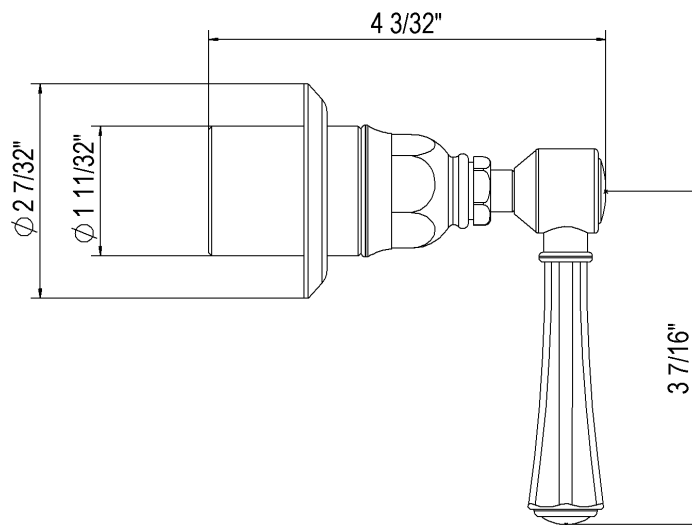
INSTALLATION INSTRUCTIONS

ROHL WELLSFORD VOLUME CONTROL AND DIVERTER VALVE TRIM SETS

WE2319LMAPCTO, WE2319LMPNTO, WE2319LMSTNTO

For Volume Control Rough Valve R1040R and
Diverter Valve R1062BO

INSTALLATION INSTRUCTIONS



Please leave instructions with the home owner once installed.

#41921 01/14

INSTALLATION INSTRUCTIONS

Installation Instructions

Attention Installer: the trim kit is assembled at the factory. The only loose part is the sliding escutcheon, #9.

An exploded view is provided if there are parts that are needed in future.

Please ensure the threads on the cartridge rough are clean, and screw the assembly onto the rough.

Please note: if the assembly is not fully secured, the lever might appear loose. Make sure the assembly is secure.

The black plastic adaptor #11 on the rough is delivered with the rough. If you need a spare, order R30083.

The extension kit #12 is included with rough. If additional extension is needed, order R3-056 ROHL 2 5/8" EXTENSION KIT.

Applying a small bead of silicone on the back of the escutcheon is recommended.

Care and Maintenance: After use, wipe down with a soft, dry cloth.

For all chrome plated surfaces clean this product with warm soapy water and then dry with a dry soft cloth.

Nickel plated, satin and Inca brass finishes should be cleaned with a soft cloth and warm water and then dried with a dry soft cloth.

Do not use cream cleaners or cleaning agents containing a corrosive acid or scouring agent including: Softscrub, Comet, Ajax and Bonami, as these may damage the surface of the faucet. Do not use any spray cleaners with ammonia or alcohol like Windex, 409 or Fantastik.

Any use of unsuitable cleaning agents causing damage to the surface will not be covered by the warranty.

WARRANTY: Warranty is limited lifetime. See ROHL website for details. (www.rohlhome.com)

A basic in-line filter system is required for the house to protect any debris from entering the water supply line to the house (i.e. due to construction or service work on the street water main).