



1/2" THERMOSTATIC ROUGH-IN VALVE WITH INTEGRATED VOLUME CONTROL

R1051BV

FEATURES

COLORS/FINISHES

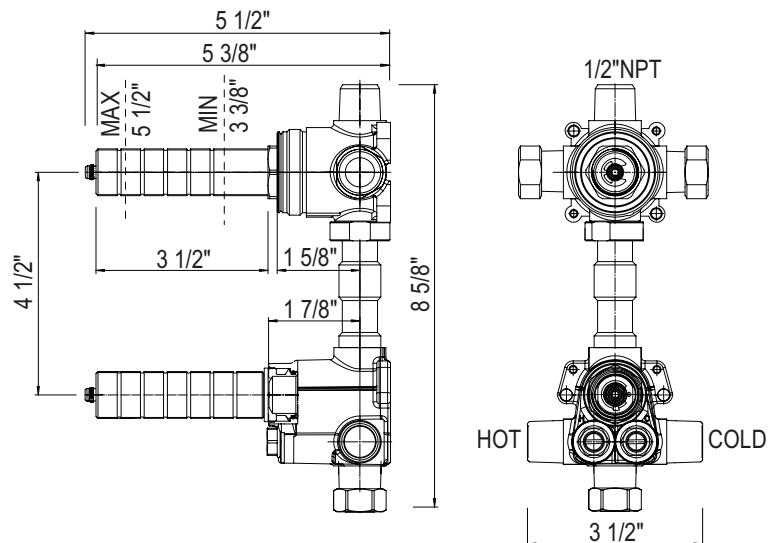
WARRANTY

FEATURES

- Rough only

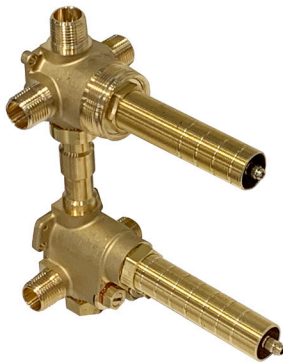
- Limited Lifetime

- Top handle on/off volume control
- Bottom control sets temperature
- Service stops included
- Primary screens at the cartridge. Remove cartridge to flush system.
- Cast brass construction
- Bottom outlet for tub filler only A separate flow control valve and/or trim required for this application.
- Back of valve to finished wall 3 1/2" min., 5 1/2" max.
- Flow rate 6.7 GPM at 60 PSI
- 1/2" inlets, 1/2" female outlet standard on top
- Complete with mud guard for installation
- If PEX is utilized, oversize the supply line to 3/4" for full flow capacity
- Extension kit included, may be cut to length required
- Must order trim to complete



INSTRUCTION MANUAL
MANUAL DE INSTRUCCIONES
MODE D'EMPLOI

ROHL



Product name: 1/2" Thermostatic valve with integrated diverter/volume control

Core product numbers:

R1051BV: SINGLE FUNCTION DIVERTER/VOLUME CONTROL

R1052BD: TWO FUNCTION DEDICATED DIVERTER/VOLUME CONTROL

R1053BD: THREE FUNCTION DEDICATED DIVERTER/ VOLUME CONTROL

R1055BD: THREE FUNCTION SHARED DIVERTER/ VOLUME CONTROL

PLEASE NOTE: The rough valve for all four models is universal. The functions are controlled by the type of diverter that is used for the installation under consideration. Just remember, the rough does not change, but the diverter changes for one, two or three functions.

HOUSEOFROHL.COM

A DISTINCTIVE MEMBER OF THE HOUSE OF ROHL

INSTALLATION INSTRUCTIONS

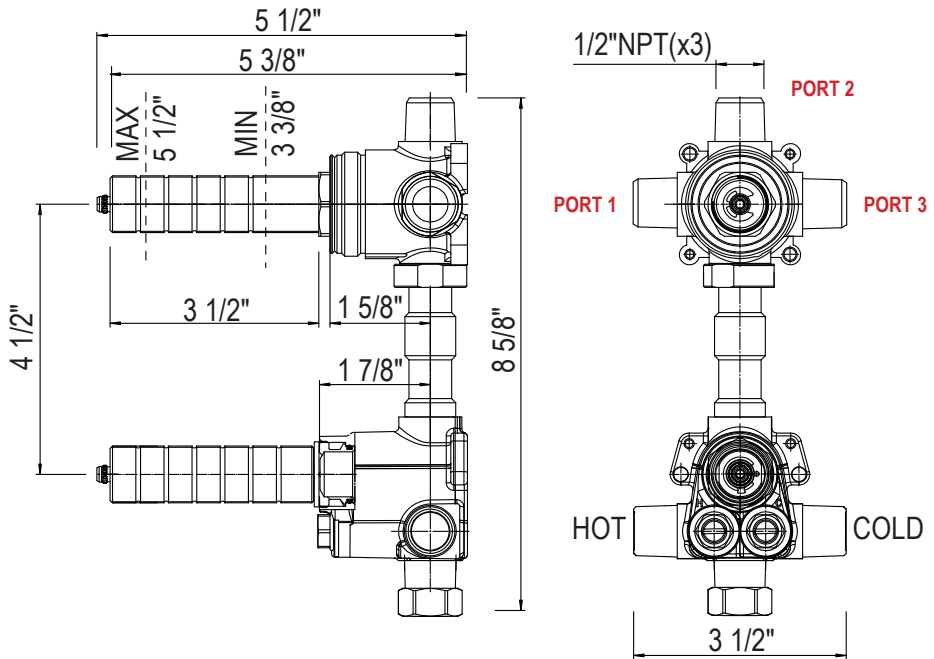
INSTRUCCIONES PARA LA INSTALACIÓN

INSTRUCTIONS D'INSTALLATION

VALVE SPECIFICATIONS

- Male 1/2" NPT inlets and outlets
- Factory temperature setting = 100°F (38°C)
- Temperature range = 52° to 118°F (11°-48°C)
- Temperature hot supply = 149° to 180°F (65°-82°C)
- Temperature cold supply = 50° to 72°F (10°-22°C)
- Temperature stability = $\pm 32^\circ\text{F}$ (0°C)
- Recommended supply pressure = 20 to 80 psi (1,38-5,52 bar)
- Recommended hot water supply temperature = 120° to 140°F (48°-60°C)
- Operating pressures between hot and cold supplies should vary no more than 30 psi (2,07 bar).
- If water pressure exceeds 70 psi (4,83 bar), install a pressure reducing valve.
- Ensure the mixing valve is in compliance with local plumbing codes when setting the temperature on the water heater.
- It is the installer's responsibility to verify correct temperature setting to prevent any risk of scalding prior to consumer use.
- For use with shower heads rated at 4.9L/MIN(1.3GPM) 4.9 L/MIN
- Flow rate 6.5gpm@60PSI

WARNING: There is no reverse cartridge. If the hot supply is on the right inlet, the valve will not work properly. Back to back installations that share hot and cold supplies will result in one installation that will not deliver mixed hot and cold water properly.



ROUGH-IN DIMENSIONS.

INSTALLATION INSTRUCTIONS

INSTRUCCIONES PARA LA INSTALACIÓN

INSTRUCTIONS D'INSTALLATION

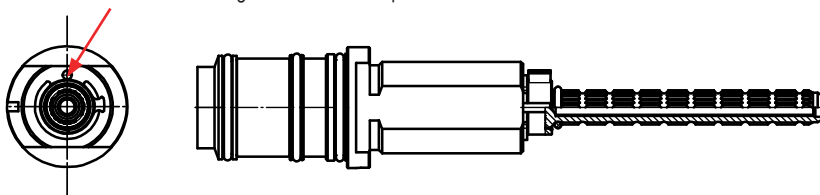
THERMOSTATIC CARTRIDGE

Please note the thermostatic cartridge is not installed. To install:

- Turn off the isolating stops hot and cold
- Remove the plug
- Flush the valve
- Install the cartridge with the hot limit pin at 12 O'Clock. See below.
- Tighten the retaining nut to 10 ft lbs or 14 nm
- Turn on the isolating stops
- Test for leaks

NOTE: DO NOT use oil based lubricants as this may cause the o-rings to dry out over time and crack.

Install the cartridge with the hot limit pin at 12 O'Clock



ROUGH IN VALVE TO FRAME

Once the desired location has been determined, install a cross support beam to wall studs.

Ensure to level the valve and secure to the cross support. The valve should be level horizontally, vertically, and parallel to finished wall.

Placement of valve and cross support within the wall shall be determined by the MIN/MAX limits shown on MUDGUARD.

For complete detailed valve dimensions see ROUGH-IN DIMENSIONS.

ROUGH IN VALVE TO FRAME

Attach OUTLET (1) to the shower head and outlets (2) and (3) to any optional devices, such as hand shower or body sprays. Any outlet not being used must be plugged..

Pre-assemble fittings before attaching to valve. Attach the "COLD" INLET to COLD SUPPLY and "HOT" INLET to HOT SUPPLY using copper supply lines.

IMPORTANT: Thoroughly flush supply lines to remove any debris prior to installation to prevent damage and malfunction of thermostatic cartridge.

ATTENTION: Use plumbers tape or thread sealant to all threaded port joints and attach to valve. All soldering/brazing of fittings shall be performed a minimum of 4" away from valve.

WARNING: DO NOT APPLY HEAT DIRECTLY TO THE VALVE AS THIS MAY DAMAGE RUBBER & PLASTIC SEALS AND WILL VOID WARRANTY.

Turn on water supplies to valve and check for leaks.

INSTALLATION INSTRUCTIONS

INSTRUCCIONES PARA LA INSTALACIÓN

INSTRUCTIONS D'INSTALLATION

R1053BD DEDICATED VALVE

The R1053BD valve is Calgreen compatible

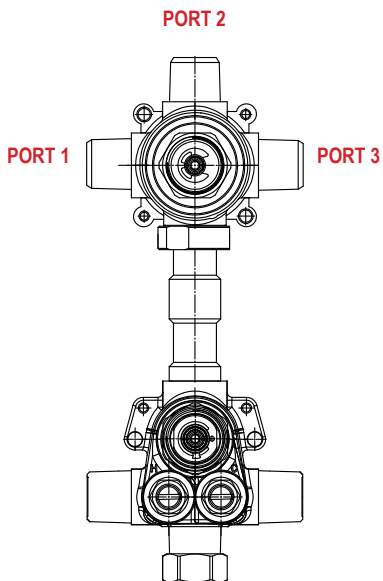
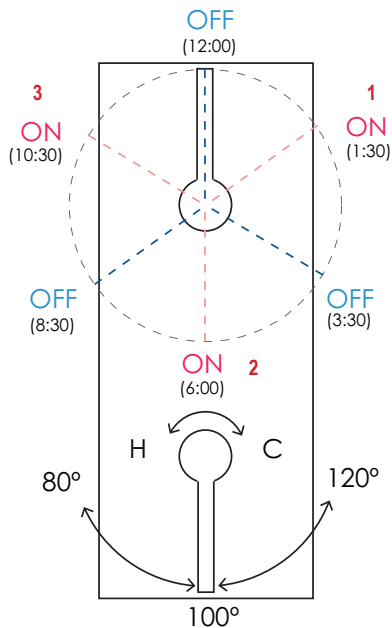
The operation is dedicated and only one outlet will operate at a time.

There are 3 on positions and 3 off positions.

It is suggested the 12 O'clock position be the off position.

Installer will need to set:

- The on positions will then be 10:30, 6:00 and 1:30
- The off positions will be 8:30, 3:30 and 12:00



INSTALLATION INSTRUCTIONS

INSTRUCCIONES PARA LA INSTALACIÓN

INSTRUCTIONS D'INSTALLATION

R1055BD SHARED VALVE

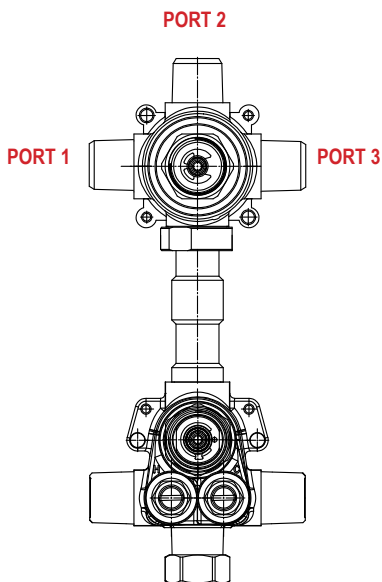
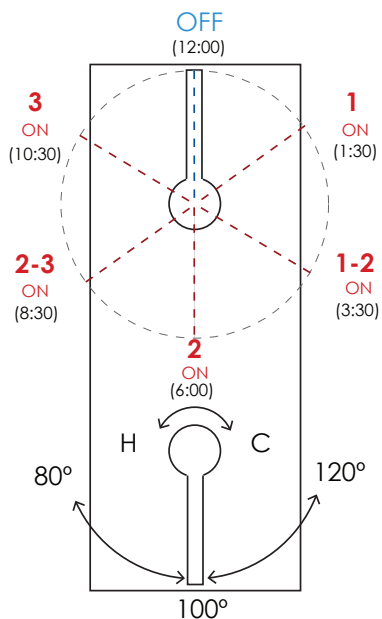
The R1055BD valve has two shared positions.

There are 5 on positions and 1 off positions.

It is suggested the 12 O'clock position be the off position.

Installer will need to set:

- The on positions will then be 10:30, 8:30, 6:00, 3:30 and 1:30
- The off positions will be 12:00



INSTALLATION INSTRUCTIONS

INSTRUCCIONES PARA LA INSTALACIÓN

INSTRUCTIONS D'INSTALLATION

R1052BD FUNCTION DEDICATED VALVE

The R1052BD valve is Calgreen compatible

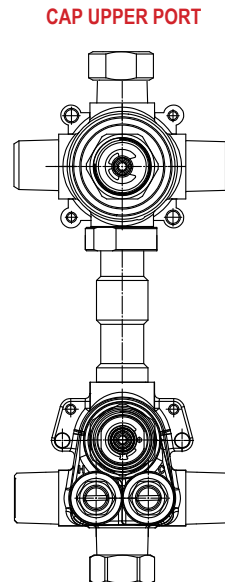
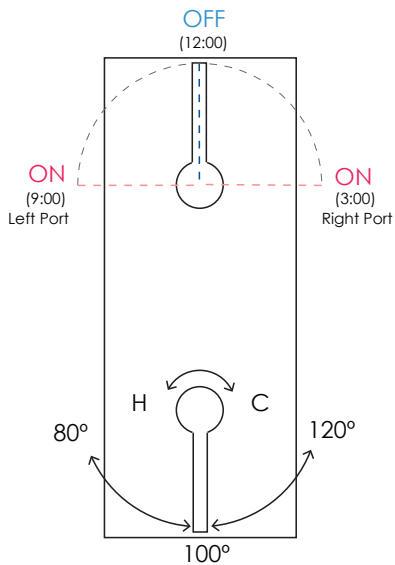
The operation is dedicated and only one outlet will operate at a time.

There are 2 on positions and 1 off position.

It is suggested the 12 O'clock position be the off position.

Installer will need to set:

- The on positions will then be 9:00 and 3:00
- The off positions will be 12:00



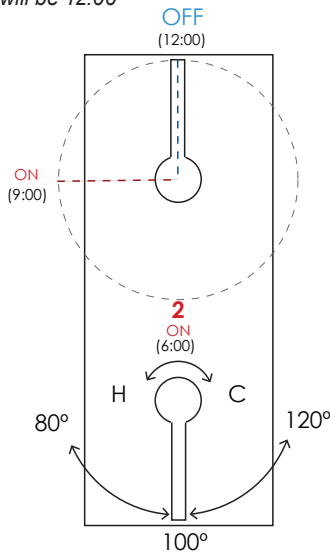
INSTALLATION INSTRUCTIONS INSTRUCCIONES PARA LA INSTALACIÓN INSTRUCTIONS D'INSTALLATION

R1051BV ONE FUNCTION VALVE

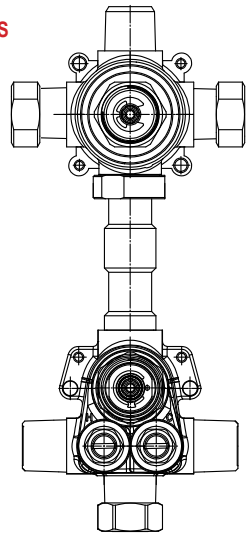
The R1055BD valve has one function.
There are 1 on position and 1 off position.
It is suggested the 12 O'clock position be the off position.

Installer will need to set:

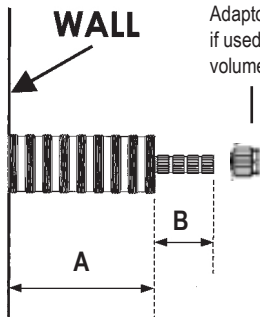
- The on positions will then be 19:00
- The off positions will be 12:00



**CAP PORTS
AT 9 AND 3
O'CLOCK**



FINISHED WALL



Adaptors NOT needed
if used for Michael Berman
volume control

REQUIRED MEASUREMENTS

A = CUT TO DESIRED LENGTH, LEAVE 5/16" OUTSIDE THE FINISHED WALL
B = ~1/2"

PLEASE NOTE: THE STEM IS PART OF THE CARTRIDGE. TAKE CARE TO MEASURE TWICE, CUT ONCE. IF THE STEM IS CUT TOO SHORT, YOU MAY HAVE TO REPLACE THE CARTRIDGE. ALSO, THE ALL THREAD DOES NOT STACK. IF CUT TO SHORT, THE ALL THREAD SLEEVE CAN BE REPLACED.

INSTALLATION INSTRUCTIONS INSTRUCCIONES PARA LA INSTALACIÓN INSTRUCTIONS D'INSTALLATION

R1051-52-53 -55 THERMOSTATIC VALVE

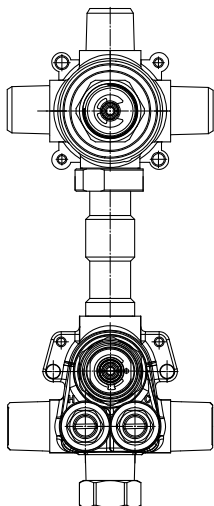
NO.	DESCRIPTIONS
1	FLUHS 3 WAY DEDICATED DIVERTER CARTRIDGE R1053
2	FLUHS 3 WAY SHARED DIVERTER CARTRIDGE R1055
3	FLUHS 2 WAY DEDICATED DIVERTER CARTRIDGE R1052
4	FLUHS 2 WAY SHARED DIVERTER CARTRIDGE R1052
5	FLUHS 1 WAY DEDICATED DIVERTER CARTRIDGE R1053
6	FLUHS ALL THREAD 24 X 1 X 3" DIVERTER ALL MODELS
7	FLUHS ALL THREAD 24 X 1 X 3" THERMO ALL MODELS
8	FLUHS CHECK VALVE R1050 ALL MODELS
9	FLUHS HOT SHUT OFF R1050 ALL MODELS
10	FLUHS COLD SHUT OFF R1050 ALL MODELS
11	FLHS THERMOSTATIC NUT R1050 ALL MODELS
12	FLUHS DIVERTER NUT R1050 ALL MODELS
13	FLUHS THERMOSTATIC CAVITY PLUG ALL MODELS
14	1/2" THERMOSTATIC CARTRIDGE
15	CAP NUT 1/2" NPT
16	MUD GUARD NOT SHOWN
*	R30083 PLASTIC ADAPTOR FOR ROHL CONTROLS NOT PICTURED
*	9.15402 PERRIN&ROWE PLASTIC ADAPTOR NOT PICTURED



INSTALLATION INSTRUCTIONS

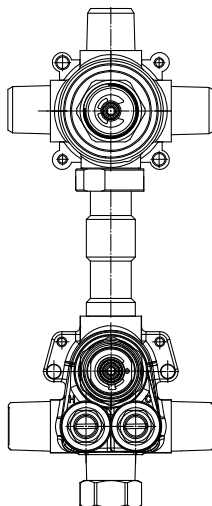
INSTRUCCIONES PARA LA INSTALACIÓN

INSTRUCTIONS D'INSTALLATION



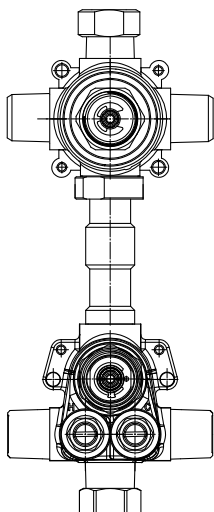
R1052BD

FUNCTION DEDICATED VALVE



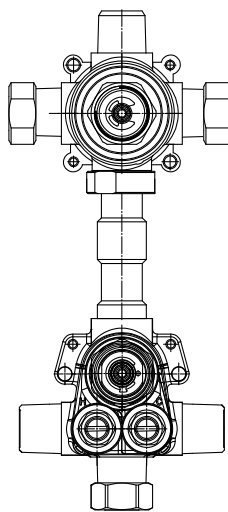
R1055BD

SHARED VALVE



R1052BD

FUNCTION DEDICATED VALVE



R1051BV

ONE FUNCTION VALVE

LIMITED WARRANTY GARANTÍA LIMITADA GARANTIE LIMITÉE

Most products or parts carry "Limited Warranties" against manufacturing defects.
Please visit houseofrohl.com/support for complete product and finish warranty.

La mayoría de los productos o piezas presentan "Garantías limitadas" contra defectos de fabricación. Por favor visite houseofrohl.com/support para ver la garantía completa de los productos y acabados.

La plupart des produits ou des pièces bénéficient d'une « garanties limitées » contre les défauts de fabrication. Veuillez consulter le site houseofrohl.com/support pour connaître les conditions de garantie du produit et du fini.

FINISH CARE & MAINTENANCE CUIDADO Y MANTENIMIENTO DEL ACABADO SOINS ET ENTRETIEN DU PRODUIT FINI

The finishing touch on every product is its exquisite surface. Great care has been taken to ensure that the final step in the manufacturing - whether it is a sink, faucet, fitting or an accessory - delivers perfection. Like any quality item, no matter how durable, care should be taken when cleaning and maintaining these finishes. Please visit houseofrohl.com/support for complete finish care and cleaning instructions for your particular finish.

El toque final de todo producto es su exquisita superficie. Se ha tenido sumo cuidado para asegurar que el último paso de la fabricación – ya sea de un fregadero, una mezcladora, un herraje o un accesorio – tenga como resultado la perfección. Como con cualquier artículo de calidad, no importa cuán duradero, se debe tener ciertos cuidados al limpiar y mantener estos acabados. Por favor visite houseofrohl.com/support para ver las instrucciones completas de cuidado y mantenimiento de su acabado particular.

La touche finale de chaque produit est sa surface raffinée. Un grand soin a été apporté pour que la dernière étape de la fabrication - qu'il s'agisse d'un évier, d'un robinet, d'une robinetterie ou d'un accessoire - soit parfaite. Comme pour tout article de qualité, même s'il est durable, il faut faire attention au nettoyage et à l'entretien de ces finitions. Veuillez consulter le site houseofrohl.com/support pour obtenir des instructions complètes sur l'entretien et le nettoyage de votre fini particulier.

CUSTOMER CARE ATENCIÓN AL CLIENTE ASSISTANCE À LA CLIENTÈLE

The House of Rohl® Customer Care Team is committed to efficiently serve and support; and to do so with respect, honesty, and genuineness. We will passionately work together to always exceed our customers' expectations. We strive to delight and surprise our customers, as well as our business partners. To contact one of our Customer Care Team members:

El equipo de Atención al Cliente de House of Rohl® tiene el compromiso de atender y apoyar eficientemente, y de hacerlo con respeto, honestidad y autenticidad. Juntos trabajaremos con entusiasmo para superar siempre las expectativas de nuestros clientes. Nos esforzamos por sorprender agradablemente tanto a nuestros clientes como a nuestros socios comerciales. Para ponerse en contacto con los miembros de nuestro equipo de Atención al Cliente:

L'équipe du service à la clientèle de House of Rohl® s'engage à servir et à soutenir nos clients de manière efficace et avec respect, honnêteté et authenticité. Nous travaillerons ensemble avec passion pour toujours dépasser les attentes de nos clients. Nous nous efforçons de ravir et de surprendre nos clients, ainsi que nos partenaires commerciaux. Pour contacter l'un des membres de notre équipe de service à la clientèle:

Phone / Teléfono / Téléphone: (800) 777 - 9762

Email: customercare@houseofrohl.com

Website: houseofrohl.com/support/contact-us

©2020 Rohl LLC All Rights Reserved