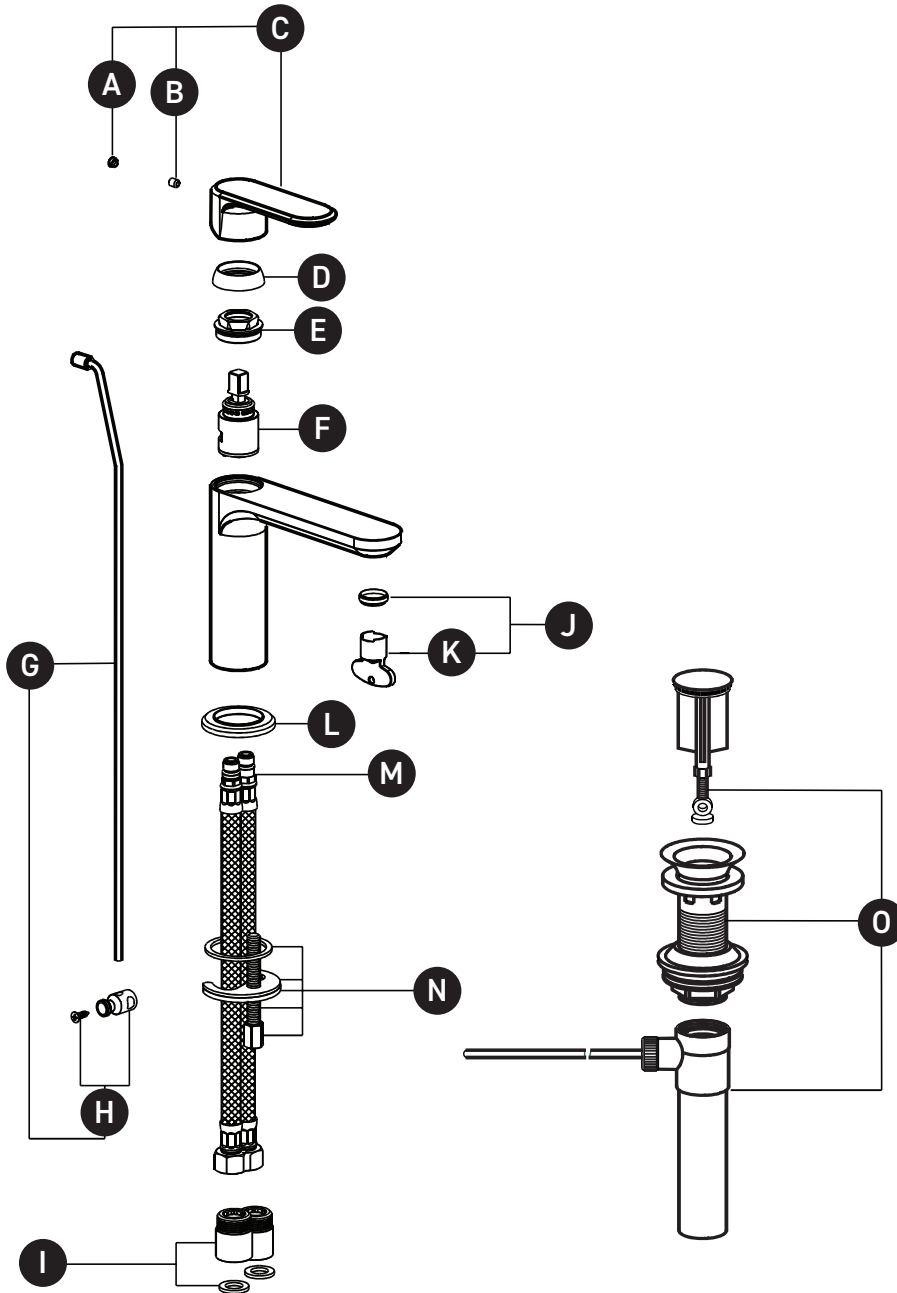


ORDER BY PART NUMBER

ILLUSTRATED PARTS

LV51

Meda™ Single Handle Lavatory Faucet



| ID | Kit Number | Finish |
|----|------------|-----------|
| A | ZZ933710 | N/A |
| B | ZZ940630 | N/A |
| C | ZZ967890* | See below |
| D | ZZ965730* | See below |
| E | ZZ965740 | N/A |
| F | ZZ965500 | N/A |
| G | ZZ969820* | See below |
| H | ZZ933430 | N/A |
| I | ZZ961380 | N/A |
| J | ZZ965760 | N/A |
| K | ZZ965750 | N/A |
| L | ZZ965770* | See below |
| M | ZZ983300 | N/A |
| N | ZZ940690 | N/A |
| O | ZA107550* | See below |

*Finish Determined by Suffix

| Finish | Description |
|--------|-----------------|
| APC | Polished Chrome |
| PN | Polished Nickel |
| STN | Satin Nickel |

For warranty or additional information, contact:

U.S.A.
houseofrohl.com/support
1-800-777-9762

QUEBEC / MARITIMES / WESTERN CANADA
houseofrohl.ca/support
1-866-473-8442

ONTARIO
houseofrohl.ca/support
1-800-287-5354

Riobel

PERRIN & ROWE
LONDON



victoria ⊕ albert®

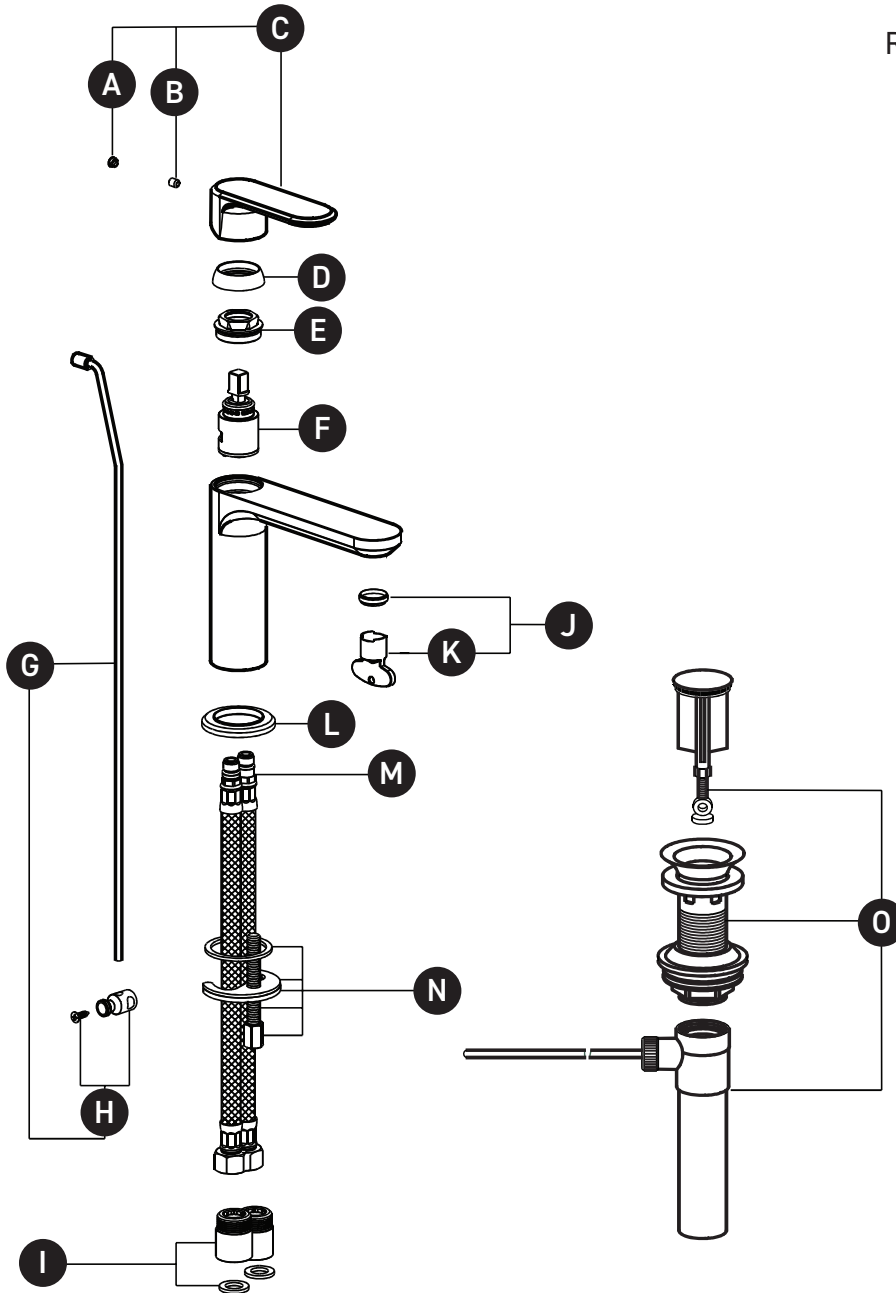
ROHL

VEUILLEZ EFFECTUER VOTRE COMMANDE
PAR NO DE RÉFÉRENCE

ILLUSTRATIONS DES PIÈCES

LV51

Robinet de lavabo à une poignée Meda™



| ID | Référence du kit | Finition |
|----|------------------|-----------------|
| A | ZZ933710 | N/A |
| B | ZZ940630 | N/A |
| C | ZZ967890* | Voir ci-dessous |
| D | ZZ965730* | Voir ci-dessous |
| E | ZZ965740 | N/A |
| F | ZZ965500 | N/A |
| G | ZZ969820* | Voir ci-dessous |
| H | ZZ933430 | N/A |
| I | ZZ961380 | N/A |
| J | ZZ965760 | N/A |
| K | ZZ965750 | N/A |
| L | ZZ965770* | See below |
| M | ZZ983300 | N/A |
| N | ZZ940690 | N/A |
| O | ZA107550* | Voir ci-dessous |

*Finition déterminée par le Suffixe

| Finition | Description |
|----------|---------------|
| APC | Laiton poli |
| PN | Nickel poli |
| STN | Nickel satiné |

Pour la garantie ou des informations supplémentaires, contactez:

U.S.A.
houseofrohl.com/support
1-800-777-9762

QUÉBEC / MARITIMES / OUEST CANADIEN
houseofrohl.ca/support
1-866-473-8442

ONTARIO
houseofrohl.ca/support
1-800-287-5354

Riobel

PERRIN & ROWE
LONDON



victoria ⊕ albert®

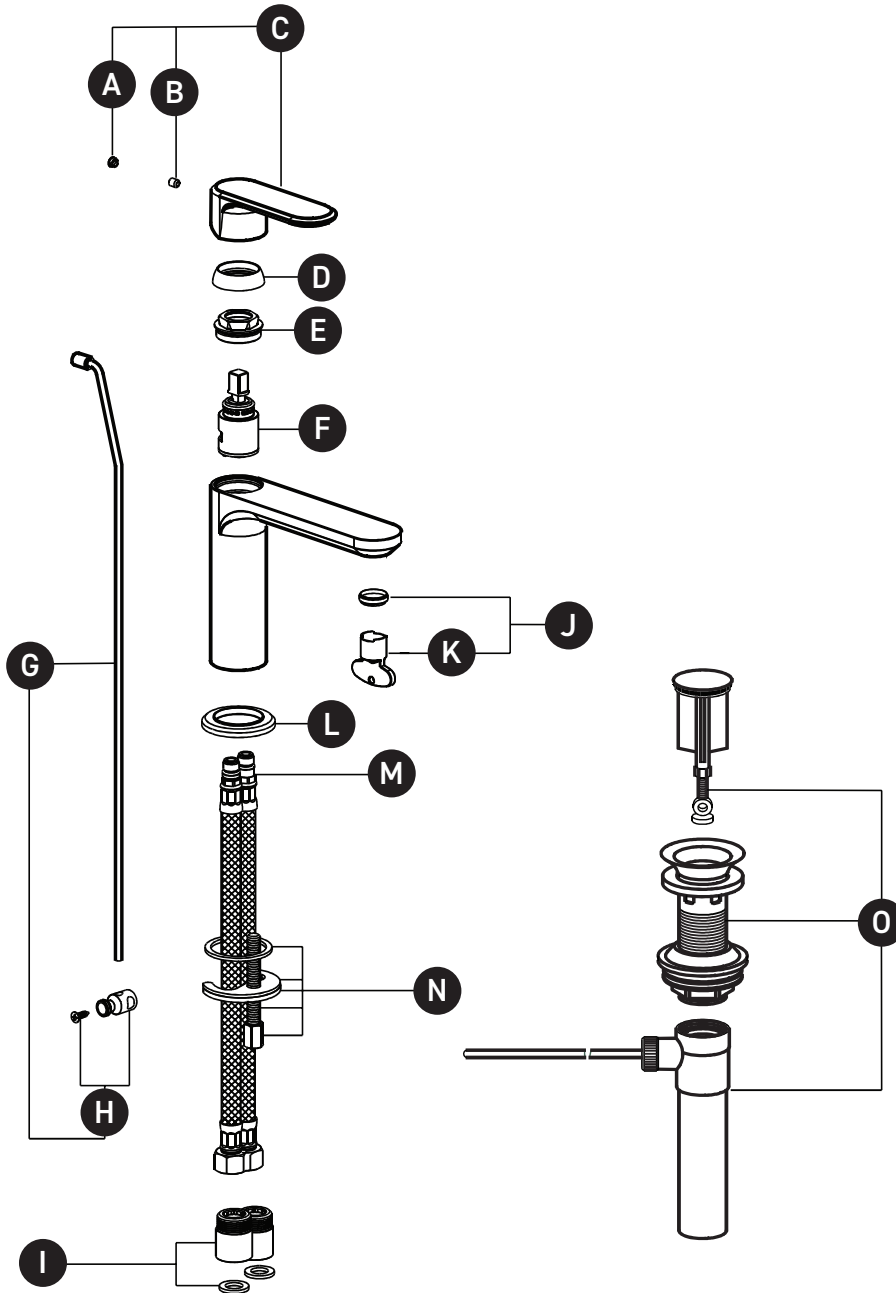
ROHL

PEDIR POR NÚMERO DE REFERENCIA

PIEZAS ILUSTRADAS

LV51

Llave monomando para lavabo Meda™



| ID | Referencia del kit | Acabado |
|----|--------------------|---------------|
| A | ZZ933710 | N/A |
| B | ZZ940630 | N/A |
| C | ZZ967890* | Ver más abajo |
| D | ZZ965730* | Ver más abajo |
| E | ZZ965740 | N/A |
| F | ZZ965500 | N/A |
| G | ZZ969820* | Ver más abajo |
| H | ZZ933430 | N/A |
| I | ZZ961380 | N/A |
| J | ZZ965760 | N/A |
| K | ZZ965750 | N/A |
| L | ZZ965770* | See below |
| M | ZZ983300 | N/A |
| N | ZZ940690 | N/A |
| O | ZA107550* | Ver más abajo |

*Acabado determinado por el sufijo

| Acabado | Descripción |
|---------|-----------------|
| APC | Cromo pulido |
| PN | Níquel pulido |
| STN | Níquel satinado |

Para garantía o información adicional, comuníquese con:

U.S.A.
houseofrohl.com/support
1-800-777-9762

QUEBEC / MARITIMOS / CANADA OCCIDENTAL
houseofrohl.ca/support
1-866-473-8442

ONTARIO
houseofrohl.ca/support
1-800-287-5354

Riobel

PERRIN & ROWE
LONDON



victoria ⊕ albert®

ROHL