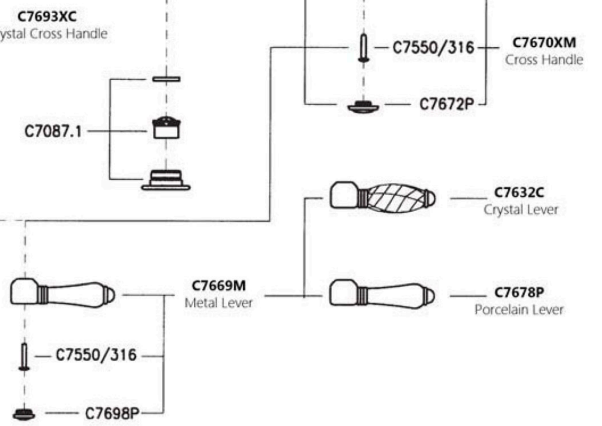
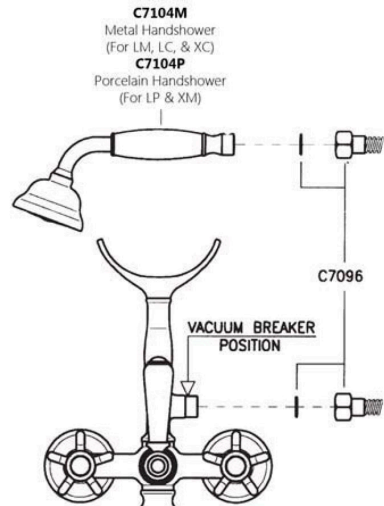
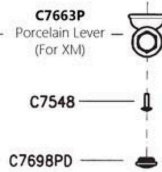
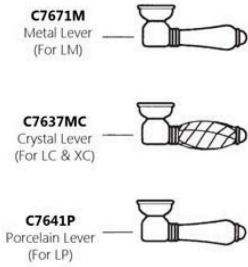
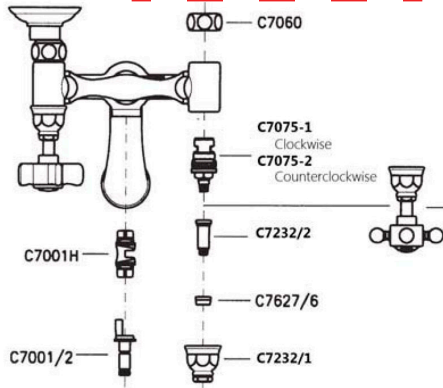
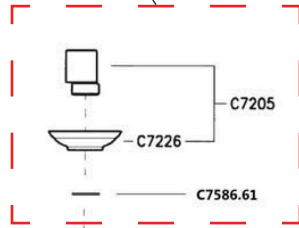
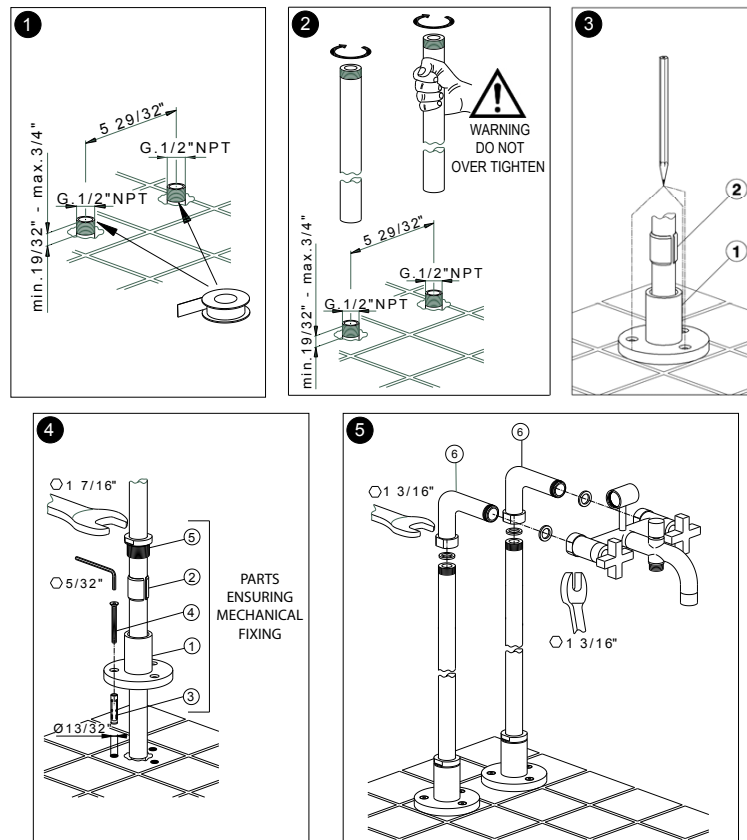


For wall installation only.
Use C5574EXT for the kit.



Installation Instructions

ZA386 FLOOR LEGS - ASSEMBLY INSTRUCTIONS



Installation requirements: 2 x 1/2" NPT male stub outs at 5 29/32" center

Please note: if installing with an Italian Bath exposed tub filler you must install a set of adaptors C5574EXT

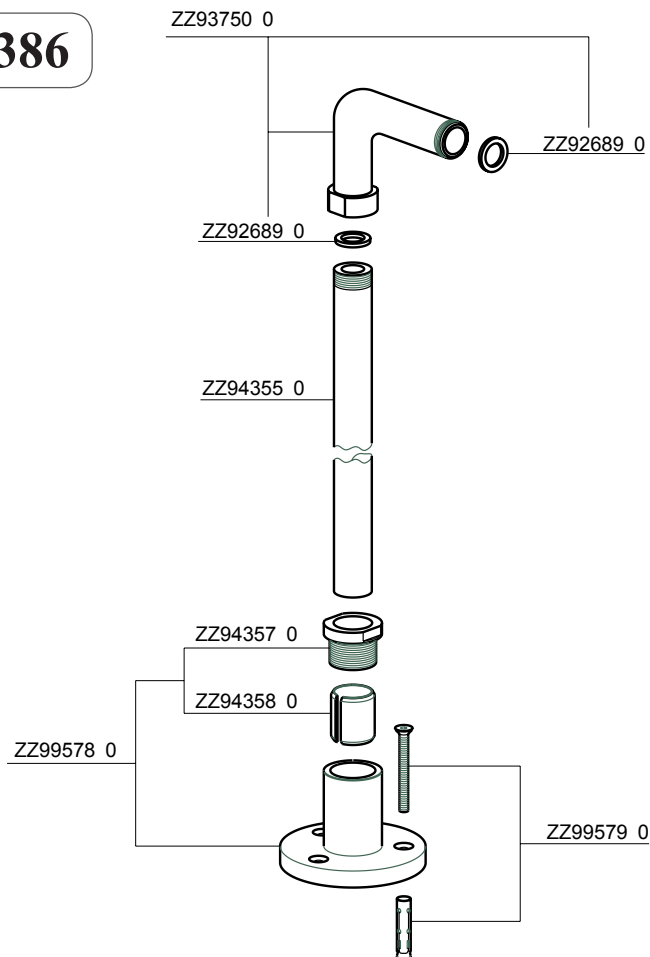
- 1 Apply Teflon tape to the male connections.
- 2 Hand tighten, then turn with a strap wrench $\frac{1}{2}$ to $\frac{3}{4}$ turn to make a seal.
WARNING: Do not over tighten. Over tightening could cause the brass to crack.
Test for leaks before installing floor escutcheons.
 Please note that the threaded connection only ensures hydraulic water tightness, mechanical fixing of floor legs is ensured by the whole part assembly of components listed as 1-2-3-4-5 in picture 4.
- 3 Slide on base escutcheons (1) and the cut bushings (2).
 Mark the screw holes for drilling.
- 4 Drill a hole using a $\frac{13}{32}$ " drill and install floor anchors (3).
 Slide the base escutcheons (1) to the floor, align with holes and tighten Allen screws (4) using a $\frac{5}{32}$ " Allen wrench.
 Insert the cut bushings (2) into the base escutcheons (1) and slide on the threaded ring (5). Then tighten using a $\frac{1}{7}$ " wrench.
- 5 Install elbow unions (6) to pillar legs, using a $\frac{1}{3}$ " wrench, ensuring that all washers create a seal.
 Install tub faucet to elbow unions using a $\frac{1}{3}$ " wrench, ensuring that all washers create a seal.

Installation Instructions

Please contact the local ROHL retailer or showroom where you purchased this product for all warranty related claims.

Cod. 01.01.234000 Ed. 12.17

ZA386



WARNING: Please leave these instructions with the user. Do not discard them.
ATTENTION: Remettre ces instructions à l'utilisateur et les conserver.
ATENCION: Entregar estas instrucciones al usuario y conservarlas.