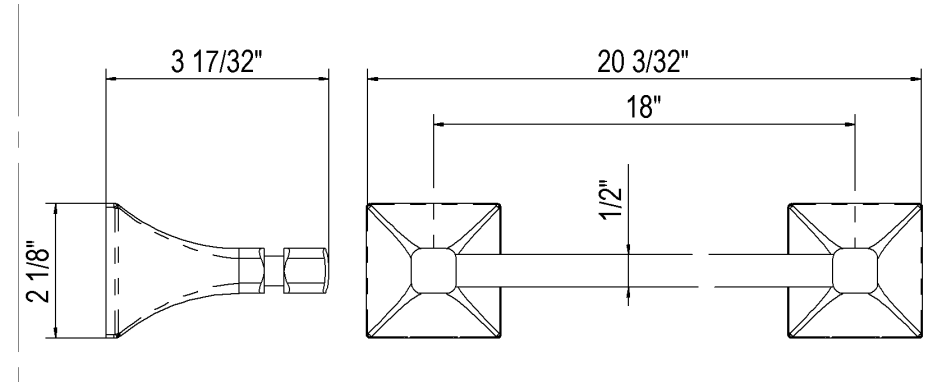


Care and Maintenance: After use, wipe down with a soft, dry cloth. For all chrome plated surfaces clean this product with warm soapy water and then dry with a dry soft cloth. Nickel plated, satin and Inca brass finishes should be cleaned with a soft cloth and warm water. Then dry with a dry soft cloth. Do not use cream cleaners or cleaning agents containing a corrosive acid or scouring agent including: Softscrub, Comet, Ajax and Bonami, as these may damage the surface of the faucet. Do not use any spray cleaners with ammonia or alcohol like Windex, 409 or Fantastik. Any use of unsuitable cleaning agents causing damage to the surface will not be covered by the warranty.

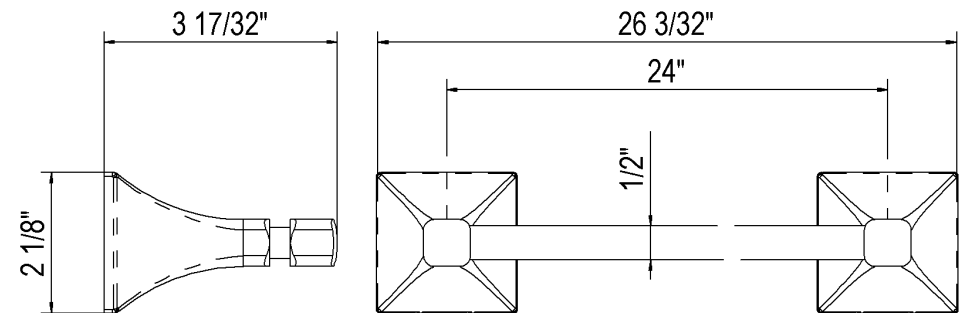
WARRANTY: Warranty is limited lifetime. See ROHL website for details. (www.rohlhome.com). A basic in-line filter system is required for the house to protect any debris from entering the water supply line to the house (i.e. due to construction or service work on the street water main).

ROHL MATHESON ACCESSORIES INSTALLATION INSTRUCTIONS

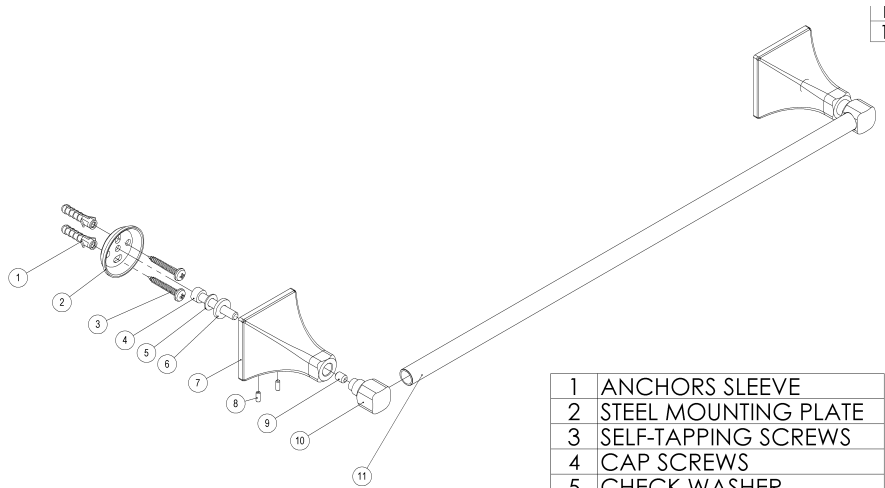
18 INCH TOWEL BAR ML1/18APC, ML1/18PN, ML1/18STN



24 INCH TOWEL BAR ML1/24APC, ML1/24PN, ML1/24STN

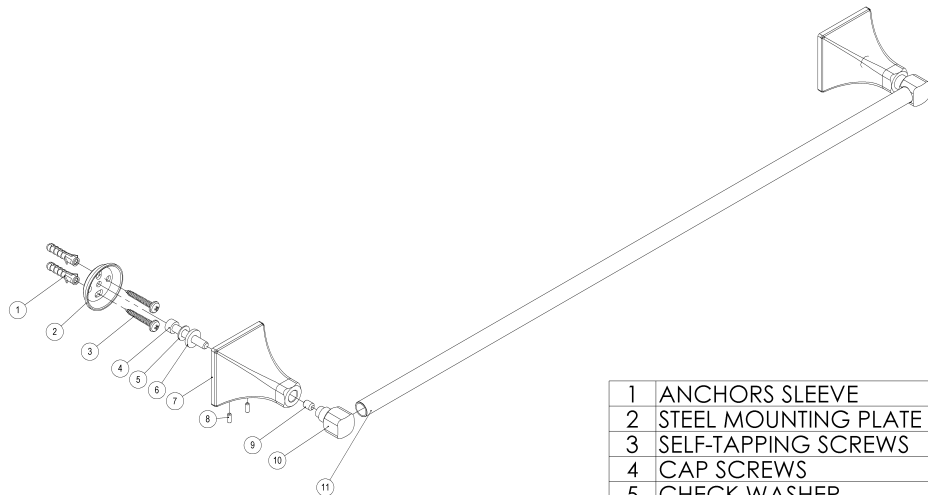


18 INCH TOWEL BAR



1	ANCHORS SLEEVE
2	STEEL MOUNTING PLATE
3	SELF-TAPPING SCREWS
4	CAP SCREWS
5	CHECK WASHER
6	STEEL WASHER
7	ESCUTCHEON
8	GRUB SCREW
9	GRUB SCREW
10	SQUARE HEAD
11	BRASS POLE

24 INCH TOWEL BAR



1	ANCHORS SLEEVE
2	STEEL MOUNTING PLATE
3	SELF-TAPPING SCREWS
4	CAP SCREWS
5	CHECK WASHER
6	STEEL WASHER
7	ESCUTCHEON
8	GRUB SCREW
9	GRUB SCREW
10	SQUARE HEAD
11	BRASS POLE

18 Inch Towel Bar Installation Instructions

Anchors, pillars and screws are loose in the box.

#4 to #11 are assembled out of the box.

- Place the steel mounting plates #2 in the required position and mark out for fixings using the mounting plates as a template at **18 inch centers**.
 - Note: **The mounting plates must be level.**
- Install the 2 steel mounting plates #2 to wall using the self tapping screws #3.
 - Anchor sleeves #1 are provided for masonry walls.
 - Drill pilot holes, if required.

24 Inch Towel Bar Installation Instructions

Anchors, pillars and screws are loose in the box.

#4 to #11 are assembled out of the box.

- Place the steel mounting plates #2 in the required position and mark out for fixings using the mounting plates as a template at **24 inch centers**.
 - Note: **The mounting plates must be level.**
- Install the 2 steel mounting plates #2 to wall using the self tapping screws #3.
 - Anchor sleeves #1 are provided for masonry walls.
 - Drill pilot holes, if required.
- Install the towel bar and tighten the grub screws #8, as shown.